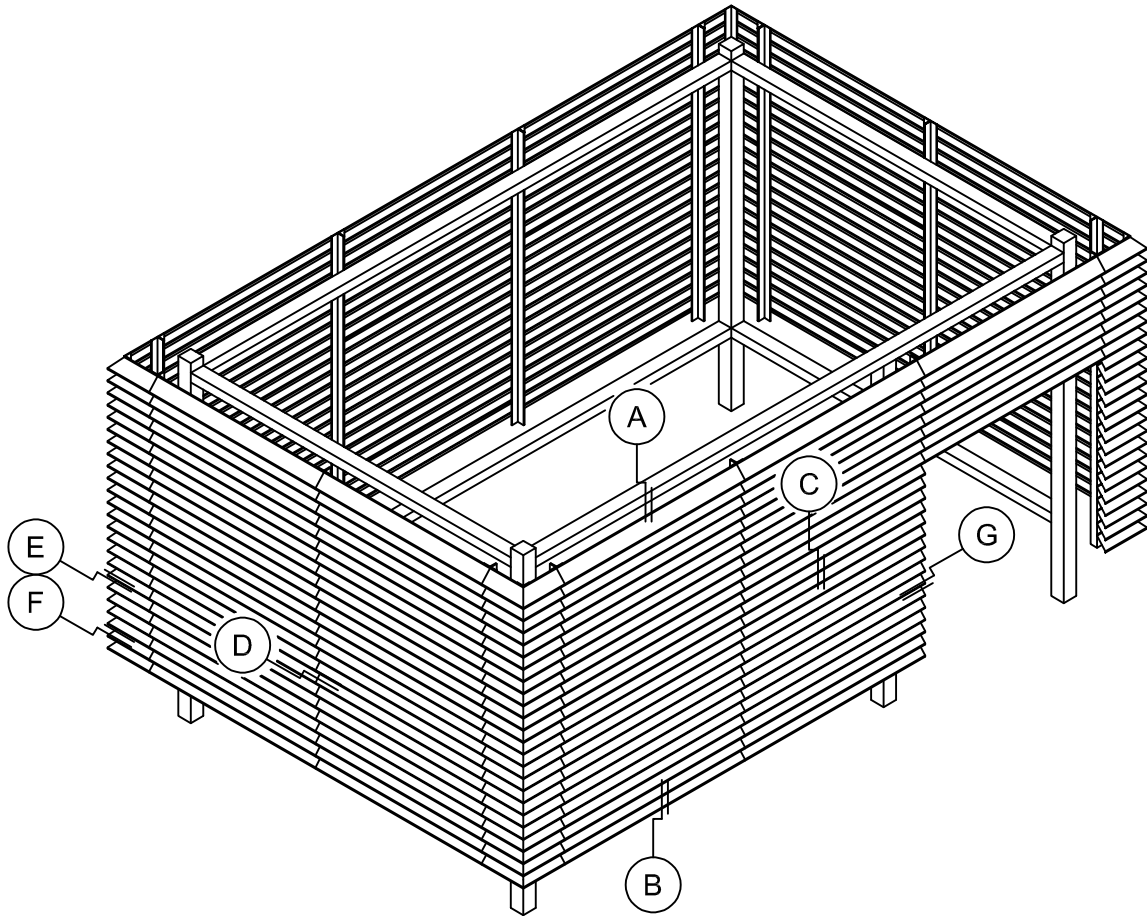
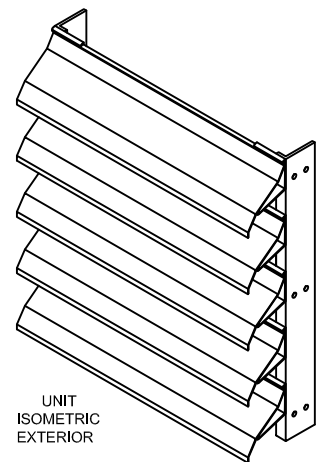
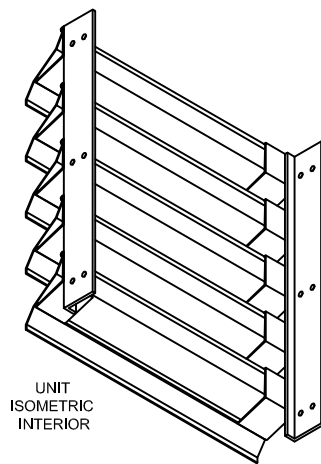


## EQUIPMENT SCREEN - 4 INCH

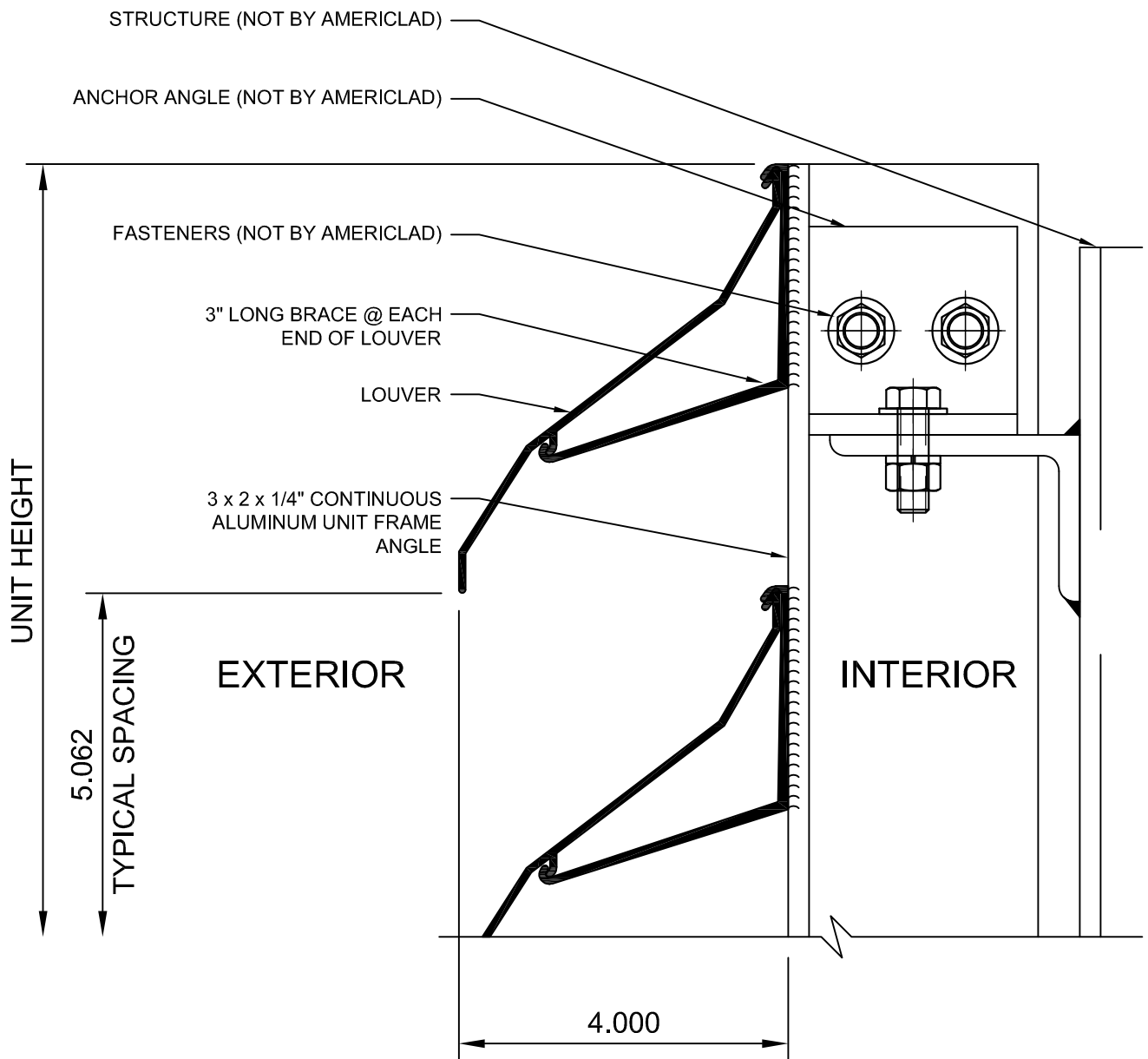


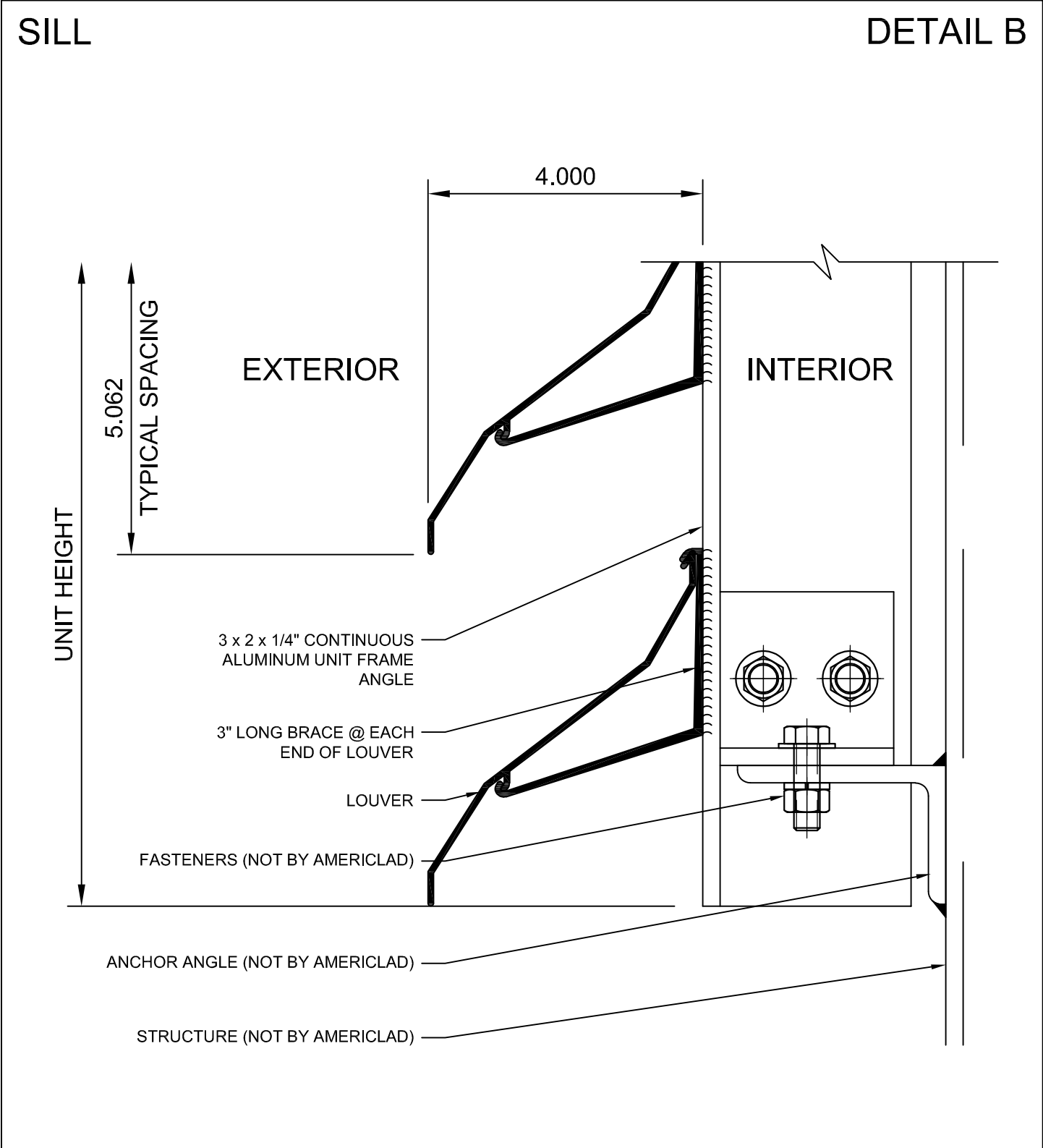
- (A) HEAD
- (B) SILL
- (C) HORIZONTAL SPLICE
- (D) INTERMEDIATE VERTICAL
- (E) CORNER (1)
- (F) CORNER (2)
- (G) JAMB



HEAD

DETAIL A

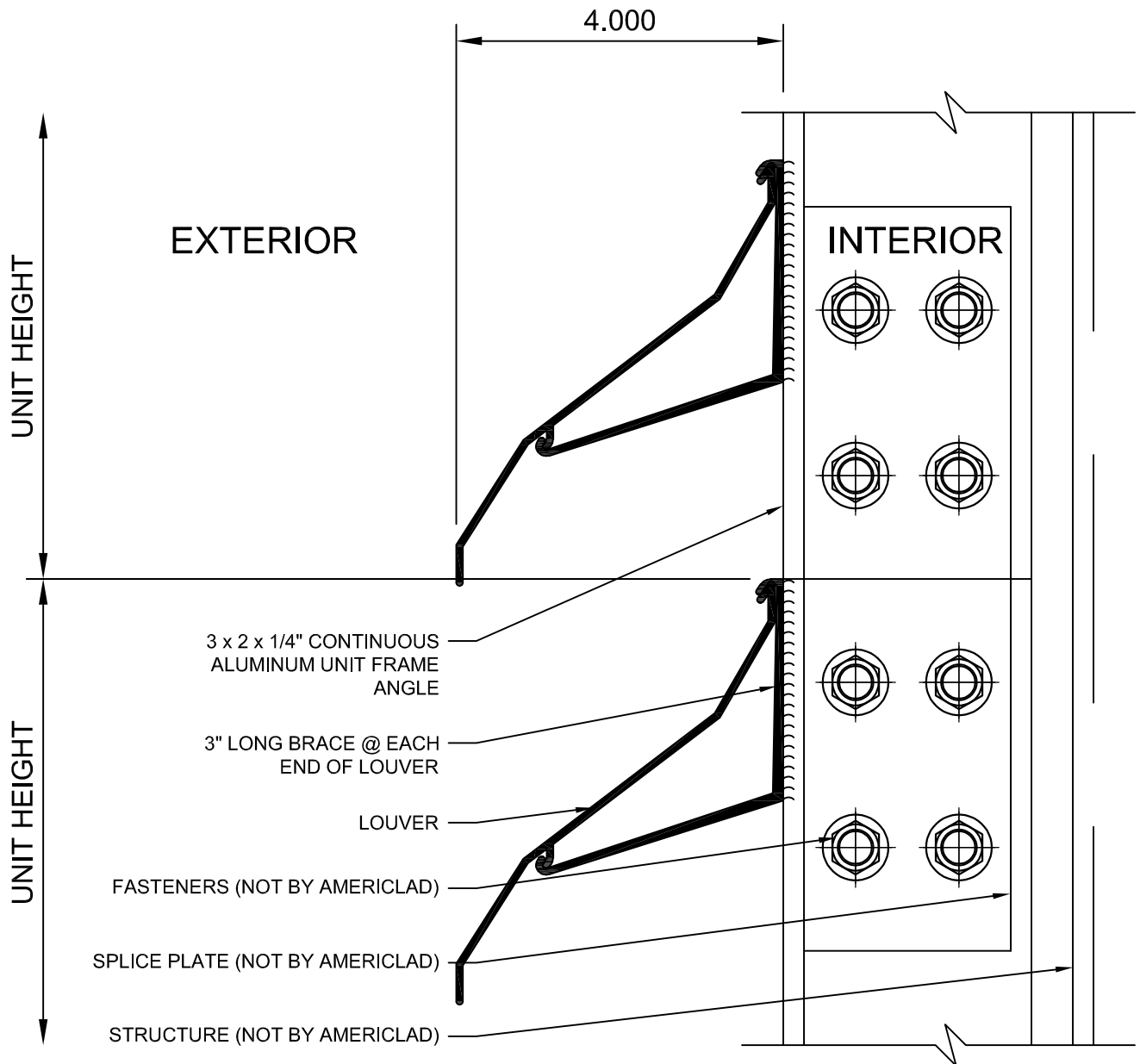


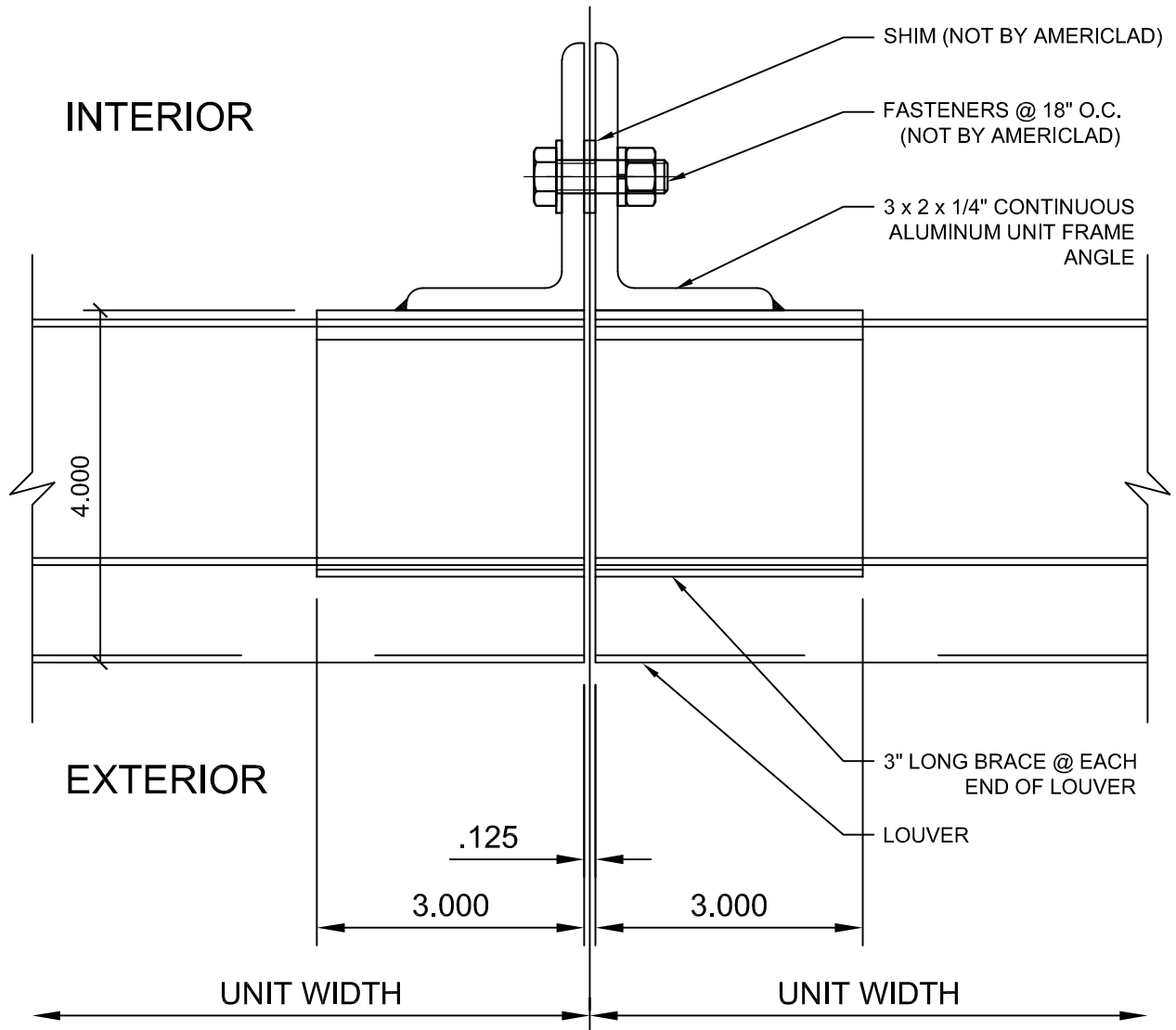


COPYRIGHT AMERICLAD, LLC

## HORIZONTAL SPLICE

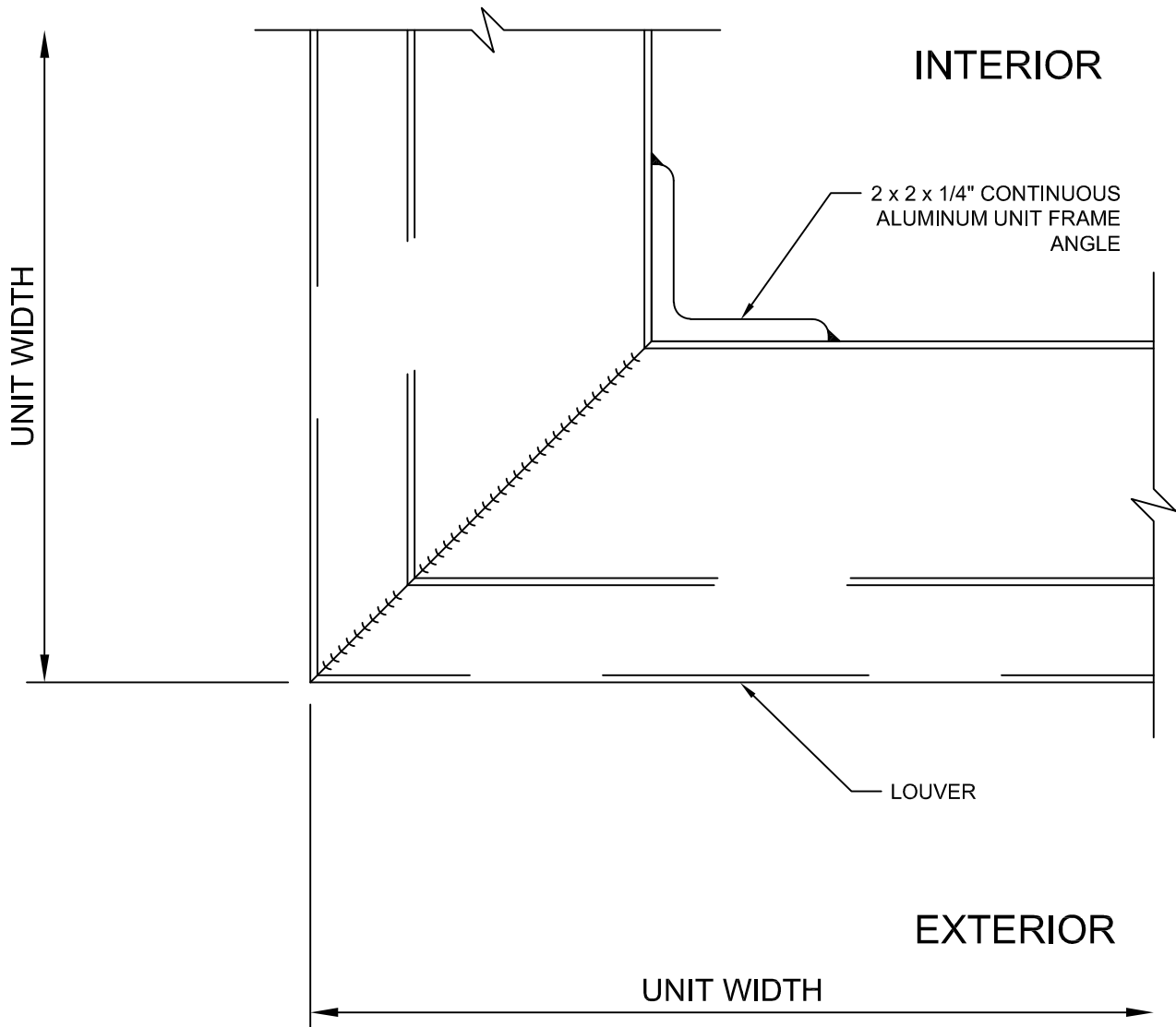
## DETAIL C



**INTERMEDIATE VERTICAL****DETAIL D**

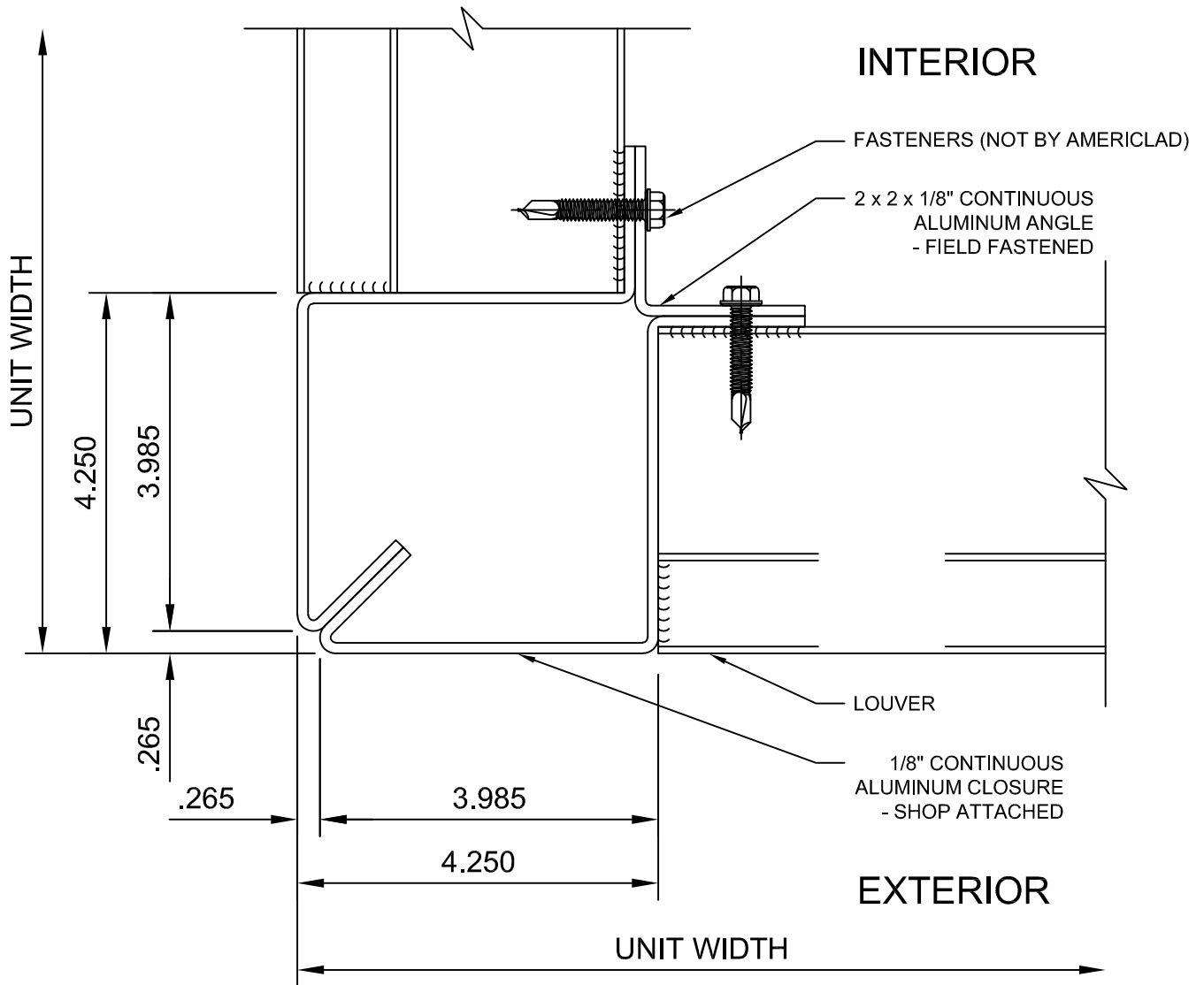
CORNER (1)

DETAIL E



## CORNER (2)

## DETAIL F



**JAMB**

**DETAIL G**

