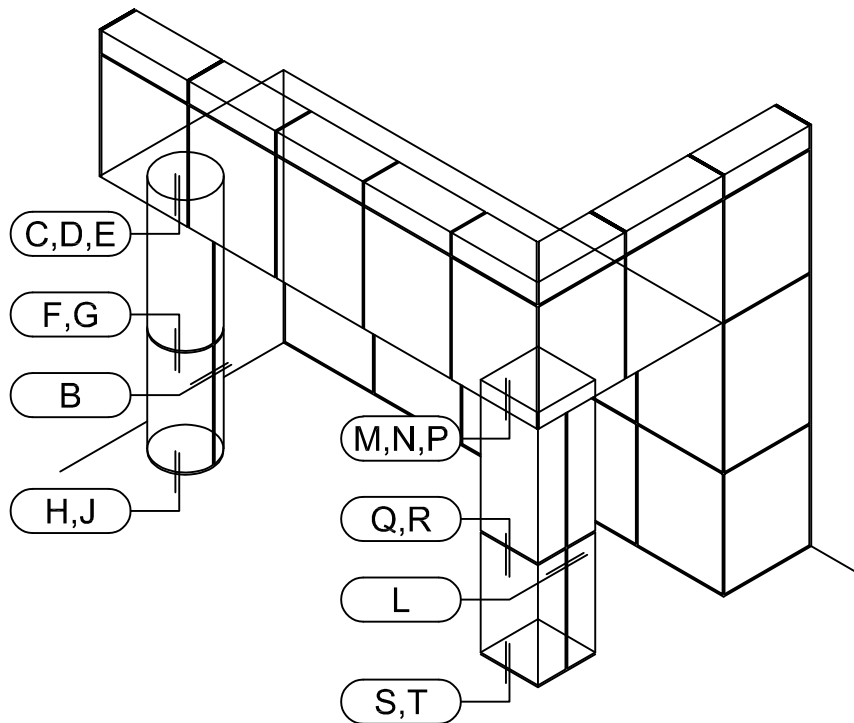


## COMPOSITE COLUMN COVER (HAIRLINE JOINT)

**NOTE:**

**LOAD BEARING WALL COMPONENTS OF EITHER: 16GA STEEL STUDS, STRUCTURAL MEMBERS, MINIMUM 5/8" PLYWOOD OR CONCRETE. GYPSUM BOARD AND CEMENT BOARD ARE NOT A STRUCTURAL COMPONENT.**

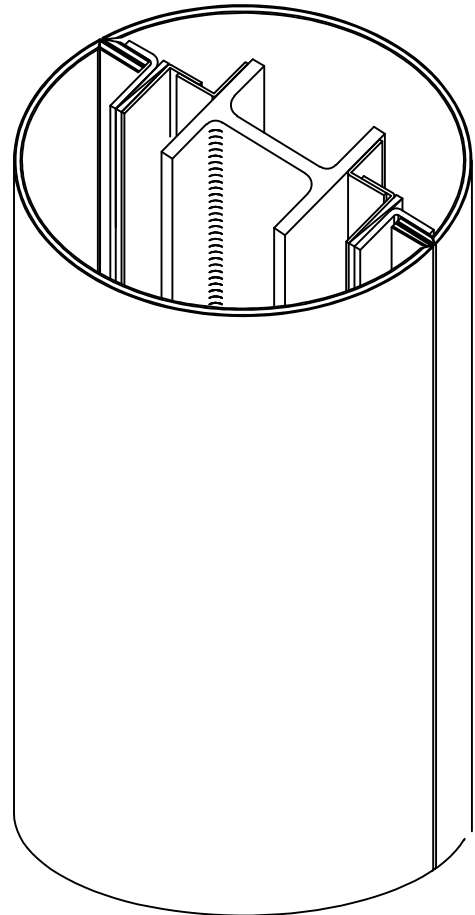
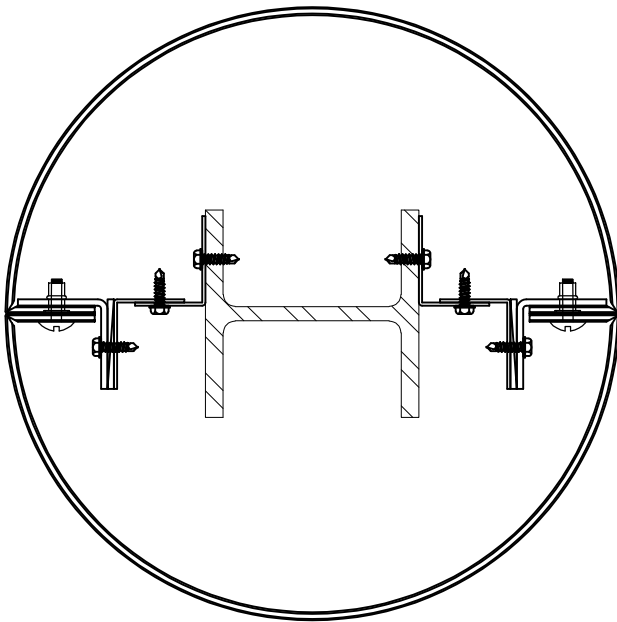


- |  |   |
|--|---|
| (A) RADIUSED - ISOMETRIC               | (K) RECTANGULAR - ISOMETRIC               |
| (B) RADIUSED - VERTICAL DETAIL         | (L) RECTANGULAR - VERTICAL DETAIL         |
| (C) RADIUSED - HEAD DETAIL (1)         | (M) RECTANGULAR - HEAD DETAIL (1)         |
| (D) RADIUSED - HEAD DETAIL (2)         | (N) RECTANGULAR - HEAD DETAIL (2)         |
| (E) RADIUSED - HEAD DETAIL (3)         | (P) RECTANGULAR - HEAD DETAIL (3)         |
| (F) RADIUSED - INTERMEDIATE DETAIL (1) | (Q) RECTANGULAR - INTERMEDIATE DETAIL (1) |
| (G) RADIUSED - INTERMEDIATE DETAIL (2) | (R) RECTANGULAR - INTERMEDIATE DETAIL (2) |
| (H) RADIUSED - BASE DETAIL (1)         | (S) RECTANGULAR - BASE DETAIL (1)         |
| (J) RADIUSED - BASE DETAIL (2)         | (T) RECTANGULAR - BASE DETAIL (2)         |
|  | (U) INSTALLATION GUIDE                    |

**" Composite Product Is Not Recommended In High Traffic Areas. Recommended Product With A Higher Impact Strength Would Be The Americlad AC-20P Manufactured Out of .125" Thick Aluminum Plate "**

**RADIUSED - ISOMETRIC****DETAIL A****NOTE:**

**LOAD BEARING WALL COMPONENTS OF EITHER: 16GA STEEL STUDS, STRUCTURAL MEMBERS, MINIMUM 5/8" PLYWOOD OR CONCRETE. GYPSUM BOARD AND CEMENT BOARD ARE NOT A STRUCTURAL COMPONENT.**



**MINIMUM RADIUS (5 1/2") MAX LENGTH PER PANEL (16'-0")**

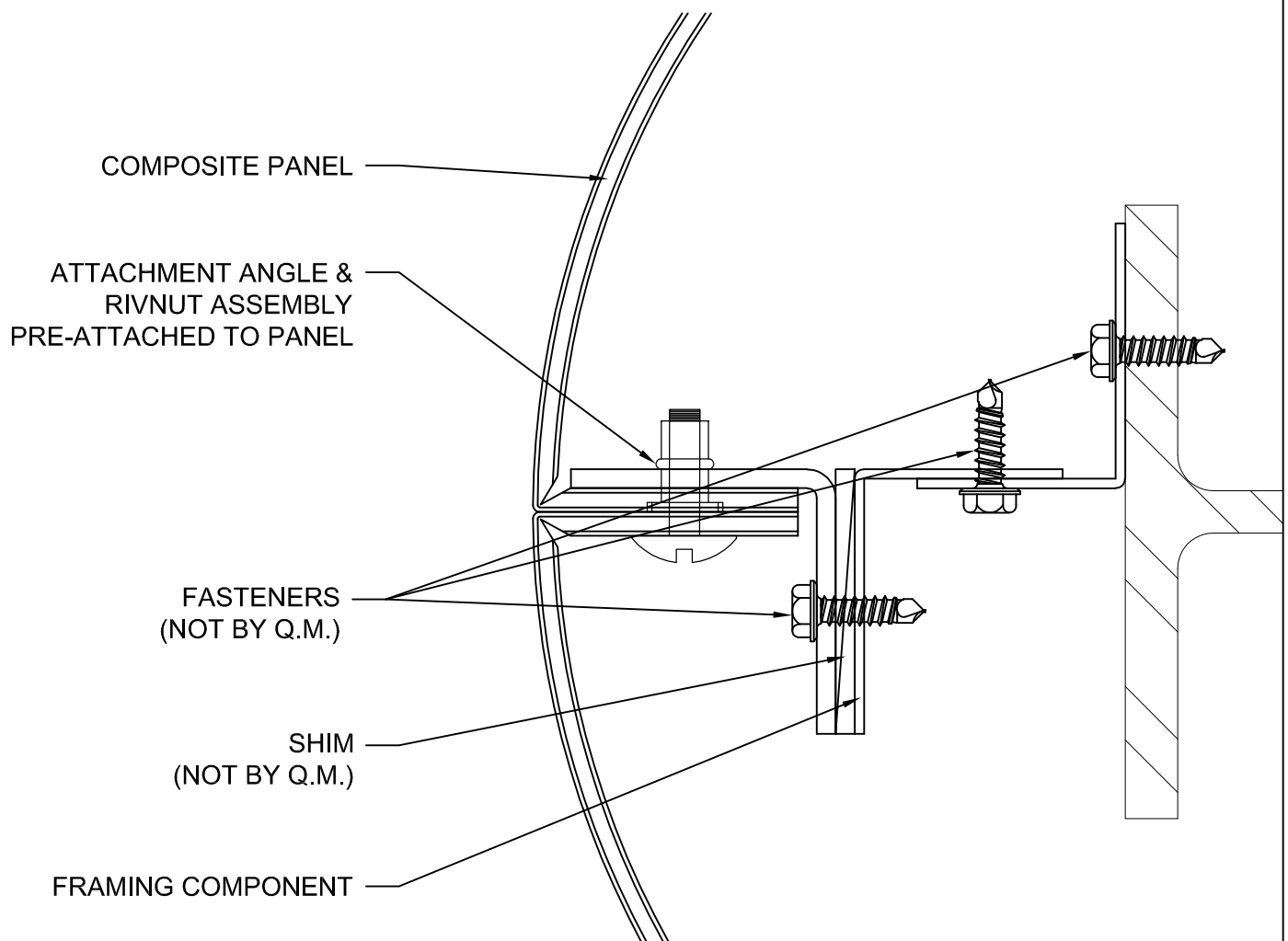
COPYRIGHT AMERICLAD, LLC

21925 Industrial Boulevard · Rogers, Minnesota · Toll-Free: 1-866-260-4047 · [americlad.com](http://americlad.com)

Architectural Metal Products

**RADIUSED - VERTICAL DETAIL****DETAIL B****NOTE:**

**LOAD BEARING WALL COMPONENTS OF EITHER: 16GA STEEL STUDS, STRUCTURAL MEMBERS, MINIMUM 5/8" PLYWOOD OR CONCRETE. GYPSUM BOARD AND CEMENT BOARD ARE NOT A STRUCTURAL COMPONENT.**

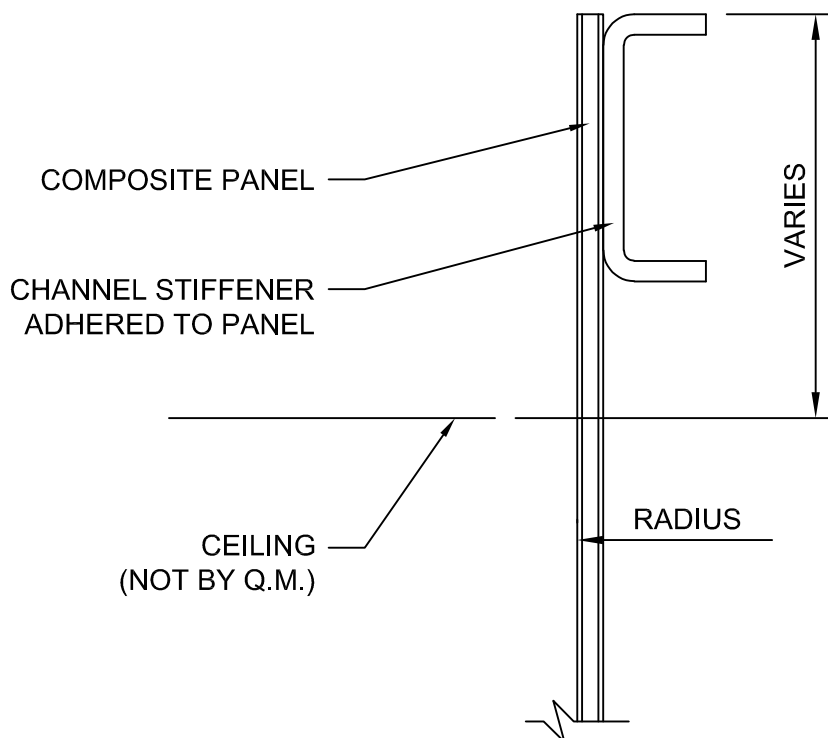


## RADIUSED - HEAD DETAIL (1)

## DETAIL C

**NOTE:**

LOAD BEARING WALL COMPONENTS OF EITHER: 16GA STEEL STUDS, STRUCTURAL MEMBERS, MINIMUM 5/8" PLYWOOD OR CONCRETE. GYPSUM BOARD AND CEMENT BOARD ARE NOT A STRUCTURAL COMPONENT.

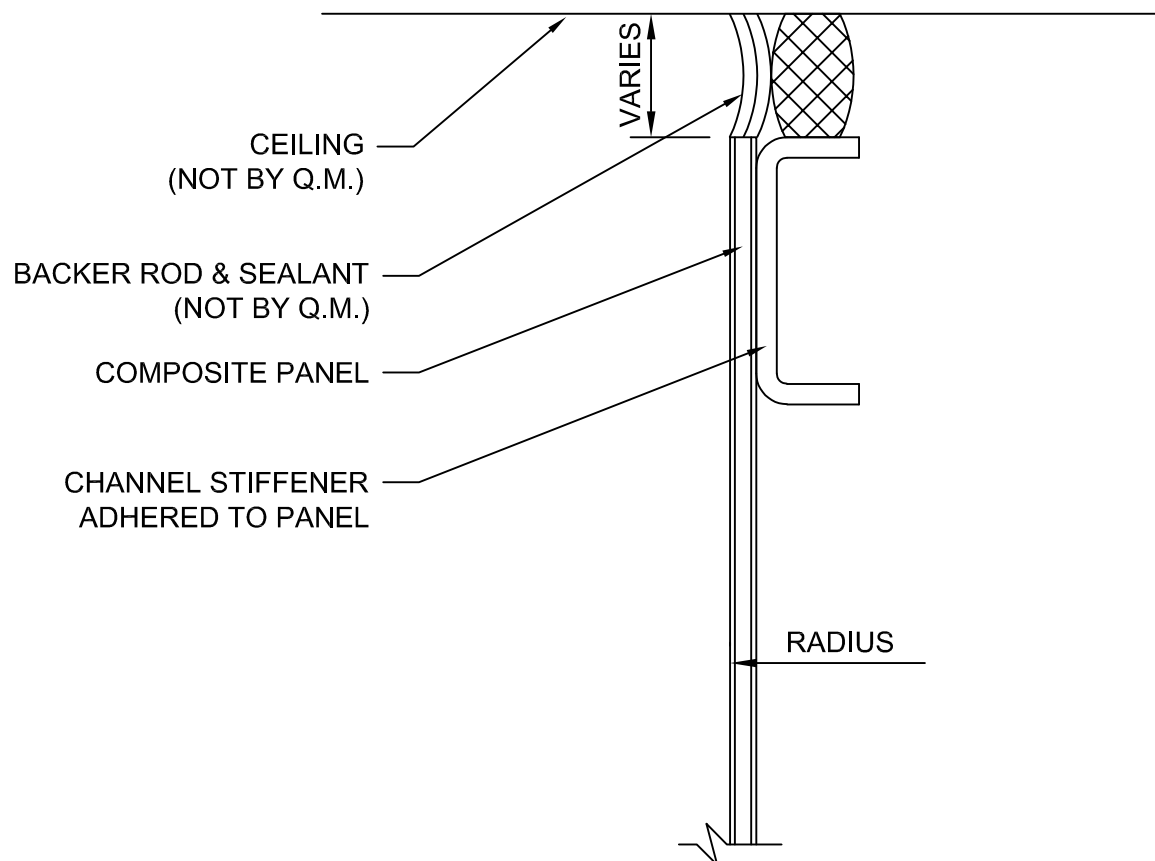


## RADIUSED - HEAD DETAIL (2)

## DETAIL D

**NOTE:**

LOAD BEARING WALL COMPONENTS OF EITHER: 16GA STEEL STUDS, STRUCTURAL MEMBERS, MINIMUM 5/8" PLYWOOD OR CONCRETE. GYPSUM BOARD AND CEMENT BOARD ARE NOT A STRUCTURAL COMPONENT.



BACKER ROD & SEALANT (OPTIONAL)

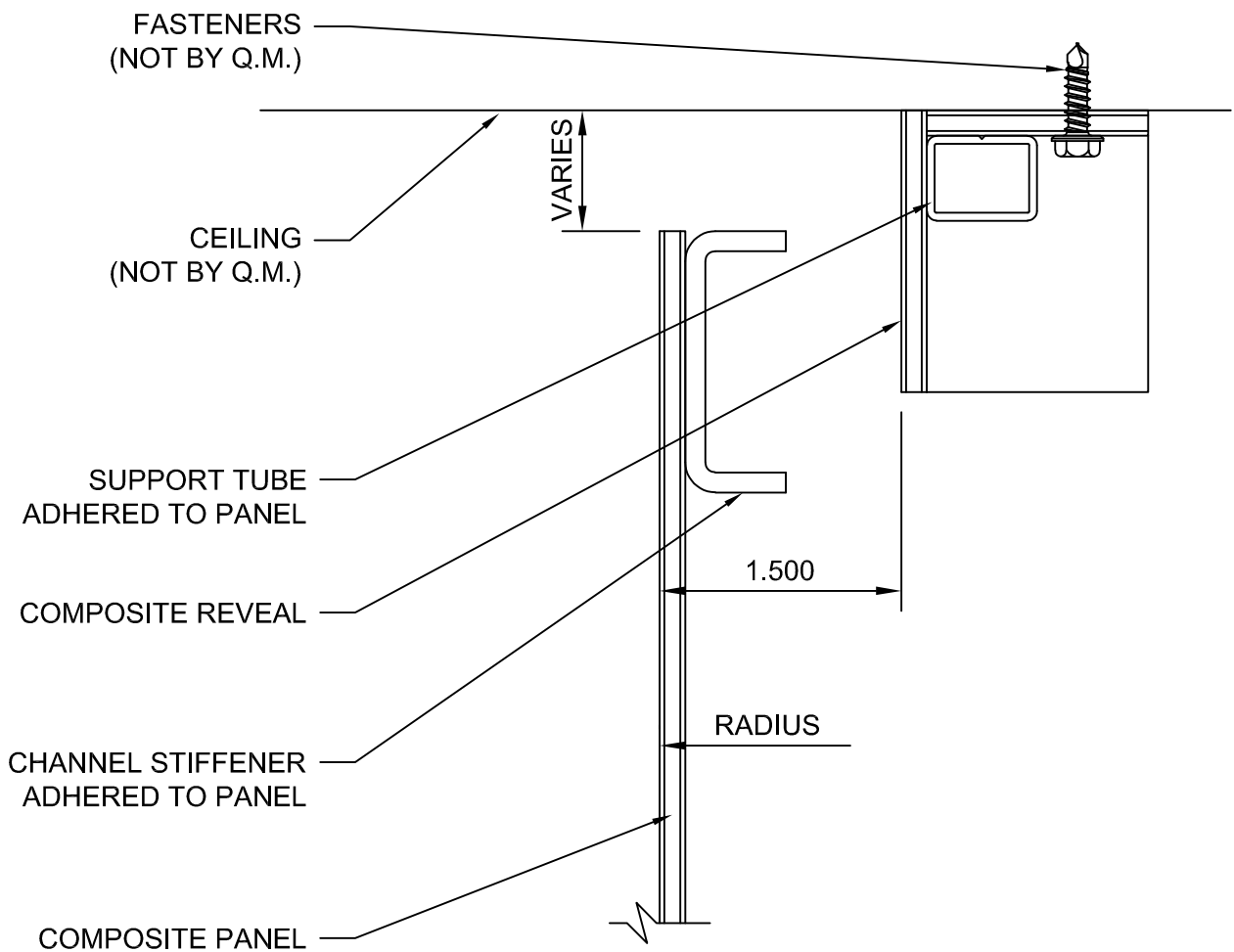
COPYRIGHT AMERICLAD, LLC

## RADIUSED - HEAD DETAIL (3)

## DETAIL E

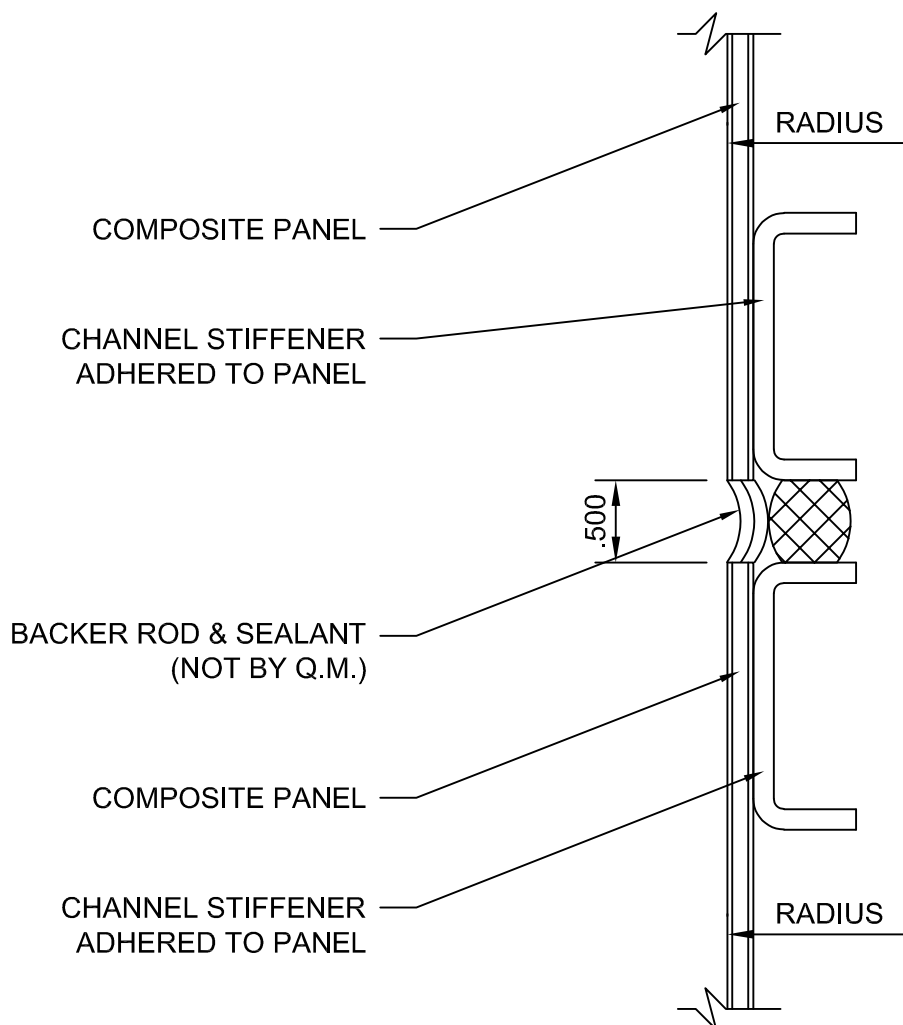
**NOTE:**

**LOAD BEARING WALL COMPONENTS OF EITHER: 16GA STEEL STUDS, STRUCTURAL MEMBERS, MINIMUM 5/8" PLYWOOD OR CONCRETE. GYPSUM BOARD AND CEMENT BOARD ARE NOT A STRUCTURAL COMPONENT.**



**RADIUSED - INTERMEDIATE DETAIL (1)****DETAIL F****NOTE:**

**LOAD BEARING WALL COMPONENTS OF EITHER: 16GA STEEL STUDS, STRUCTURAL MEMBERS, MINIMUM 5/8" PLYWOOD OR CONCRETE. GYPSUM BOARD AND CEMENT BOARD ARE NOT A STRUCTURAL COMPONENT.**

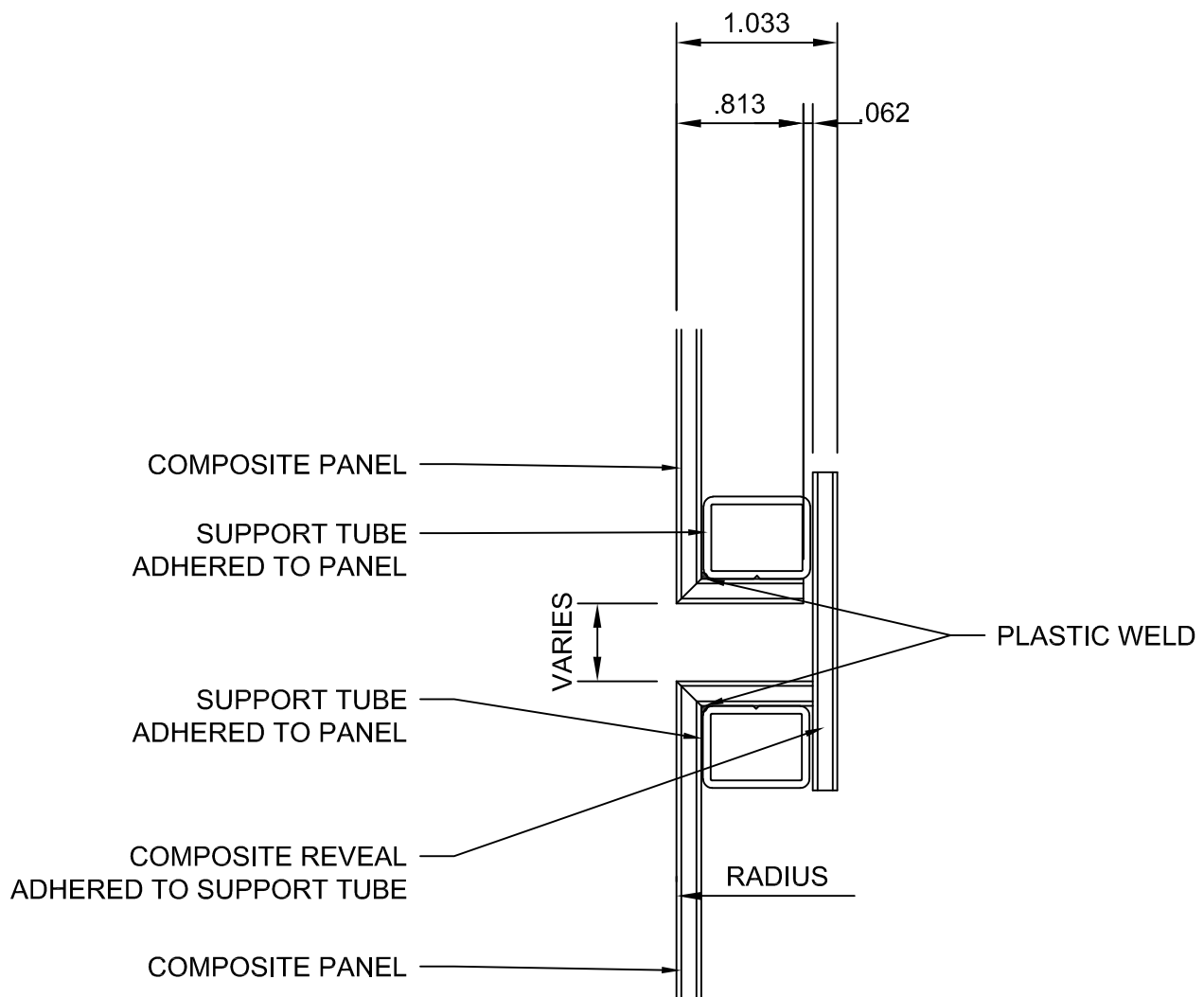


## RADIUSED - INTERMEDIATE DETAIL (2)

## DETAIL G

**NOTE:**

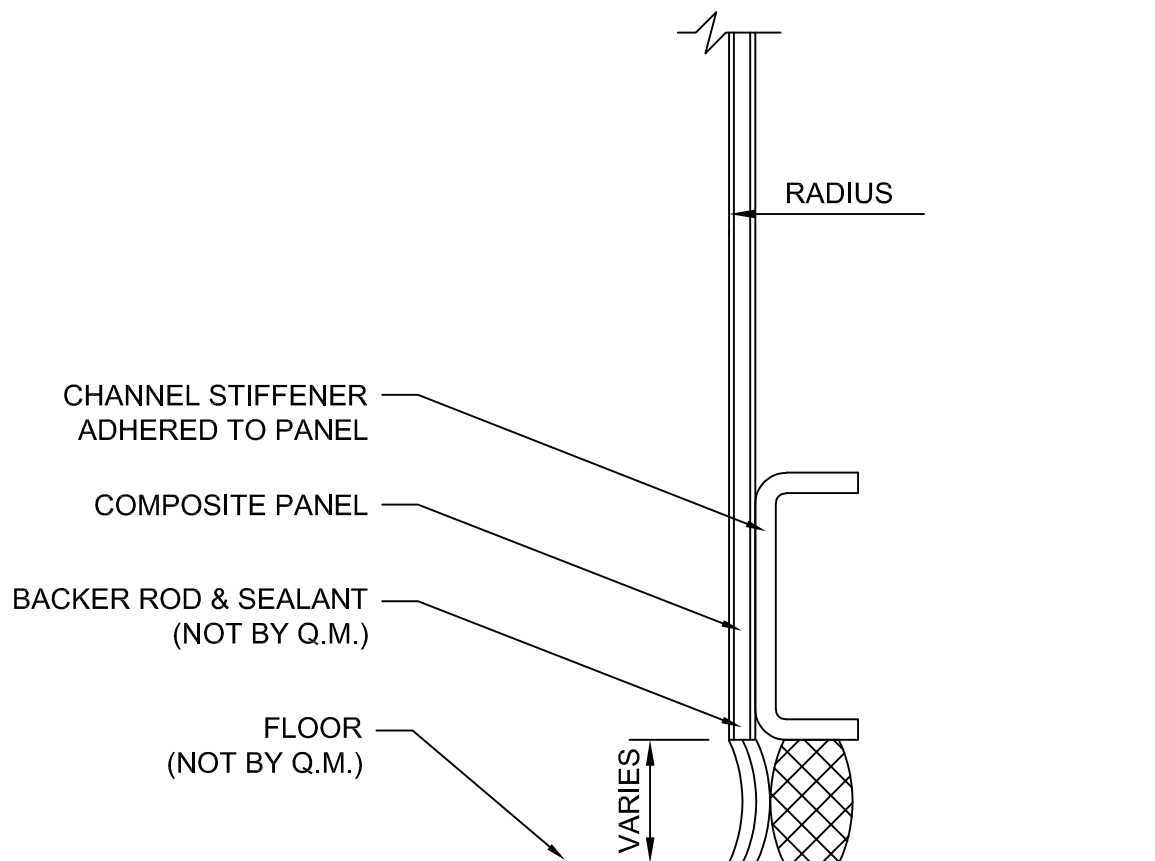
**LOAD BEARING WALL COMPONENTS OF EITHER: 16GA STEEL STUDS, STRUCTURAL MEMBERS, MINIMUM 5/8" PLYWOOD OR CONCRETE. GYPSUM BOARD AND CEMENT BOARD ARE NOT A STRUCTURAL COMPONENT.**





**RADIUSED - BASE DETAIL (1)****DETAIL H****NOTE:**

**LOAD BEARING WALL COMPONENTS OF EITHER: 16GA STEEL STUDS, STRUCTURAL MEMBERS, MINIMUM 5/8" PLYWOOD OR CONCRETE. GYPSUM BOARD AND CEMENT BOARD ARE NOT A STRUCTURAL COMPONENT.**

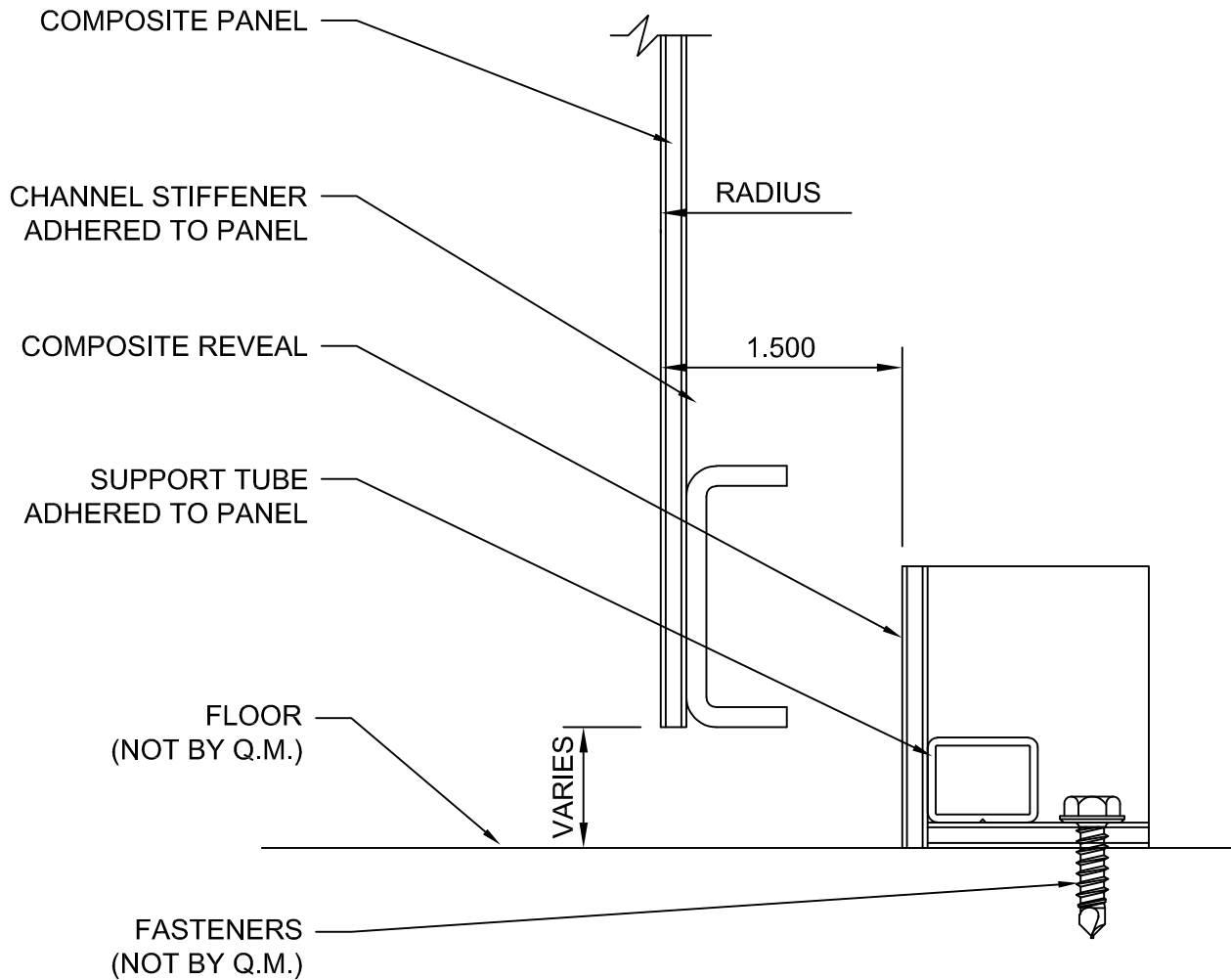


## RADIUSED - BASE DETAIL (2)

## DETAIL J

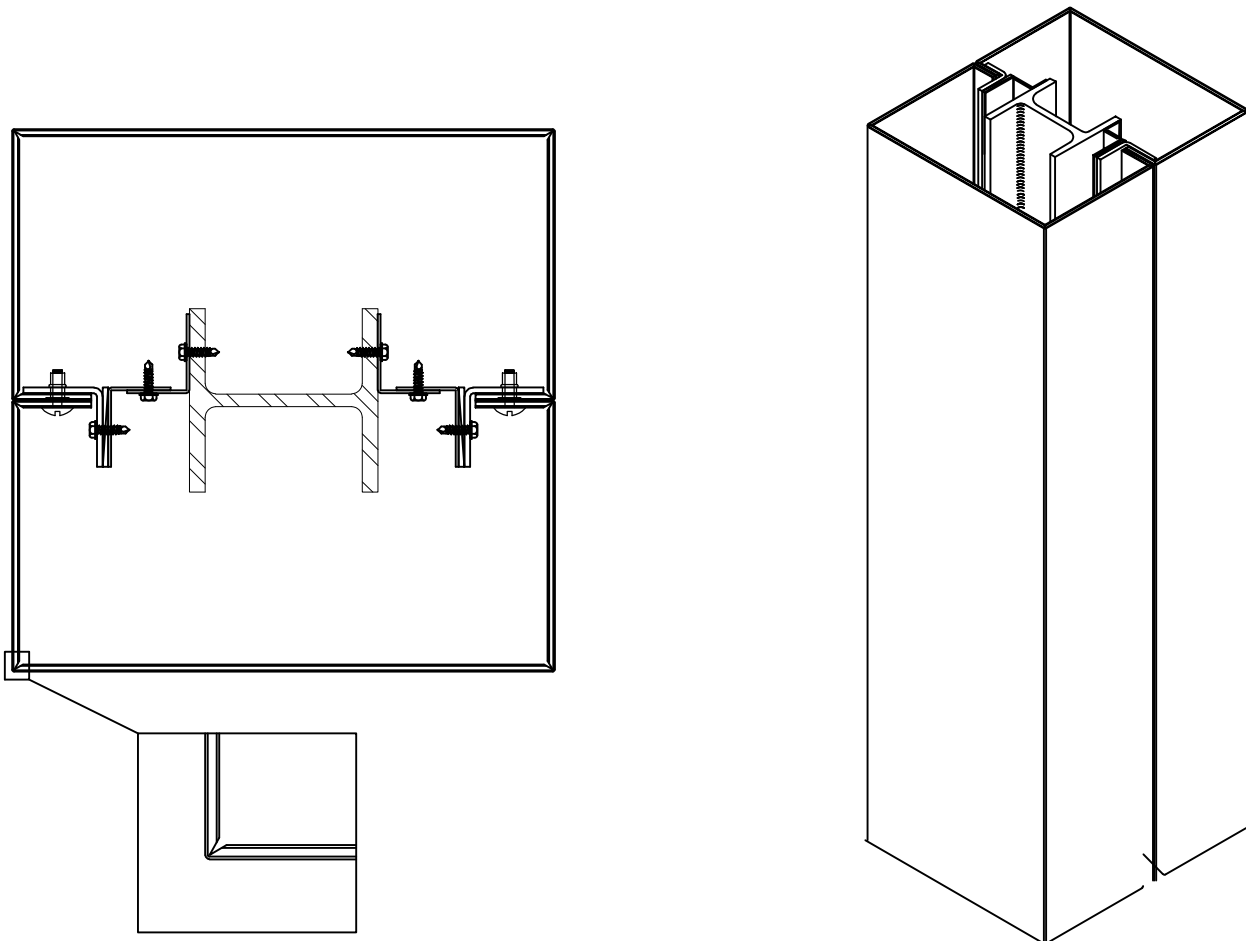
**NOTE:**

**LOAD BEARING WALL COMPONENTS OF EITHER: 16GA STEEL STUDS, STRUCTURAL MEMBERS, MINIMUM 5/8" PLYWOOD OR CONCRETE. GYPSUM BOARD AND CEMENT BOARD ARE NOT A STRUCTURAL COMPONENT.**



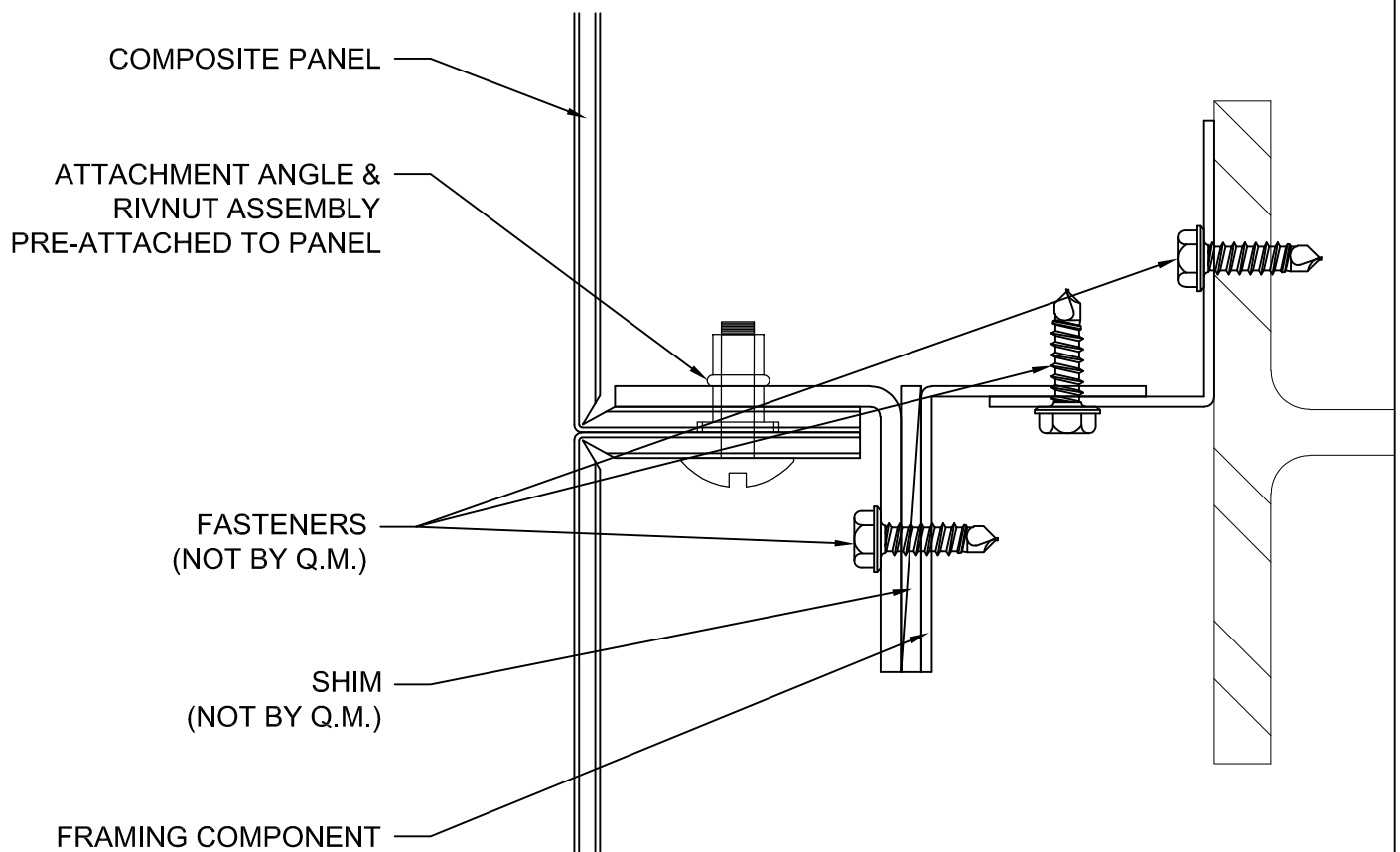
**RECTANGULAR - ISOMETRIC****DETAIL K****NOTE:**

**LOAD BEARING WALL COMPONENTS OF EITHER: 16GA STEEL STUDS, STRUCTURAL MEMBERS, MINIMUM 5/8" PLYWOOD OR CONCRETE. GYPSUM BOARD AND CEMENT BOARD ARE NOT A STRUCTURAL COMPONENT.**



**RECTANGULAR - VERTICAL DETAIL****DETAIL L****NOTE:**

**LOAD BEARING WALL COMPONENTS OF EITHER: 16GA STEEL STUDS, STRUCTURAL MEMBERS, MINIMUM 5/8" PLYWOOD OR CONCRETE. GYPSUM BOARD AND CEMENT BOARD ARE NOT A STRUCTURAL COMPONENT.**

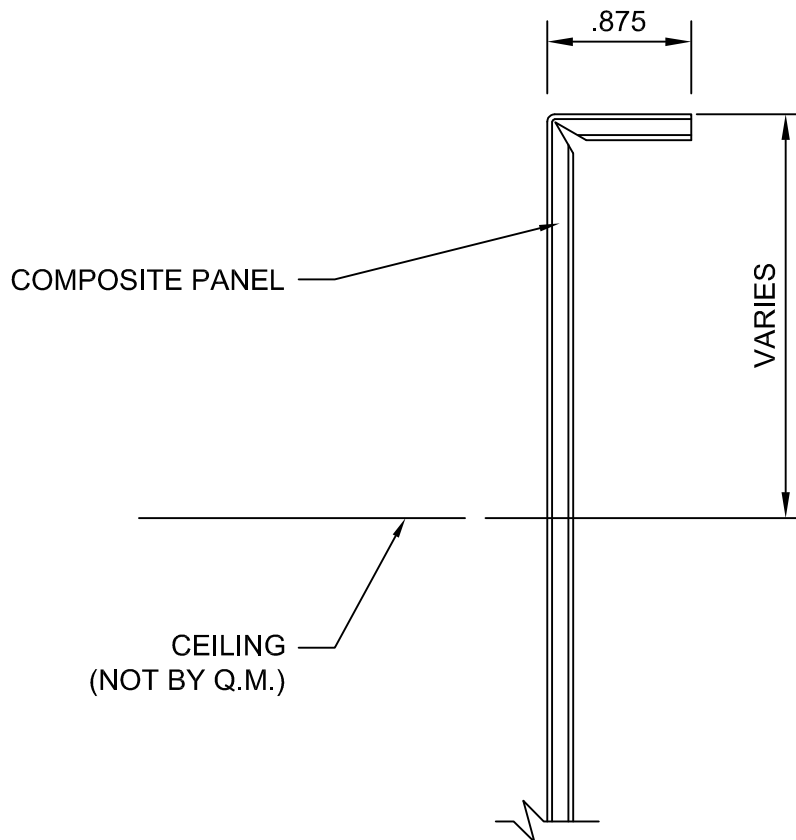


## RECTANGULAR - HEAD DETAIL (1)

## DETAIL M

**NOTE:**

LOAD BEARING WALL COMPONENTS OF EITHER: 16GA STEEL STUDS, STRUCTURAL MEMBERS, MINIMUM 5/8" PLYWOOD OR CONCRETE. GYPSUM BOARD AND CEMENT BOARD ARE NOT A STRUCTURAL COMPONENT.

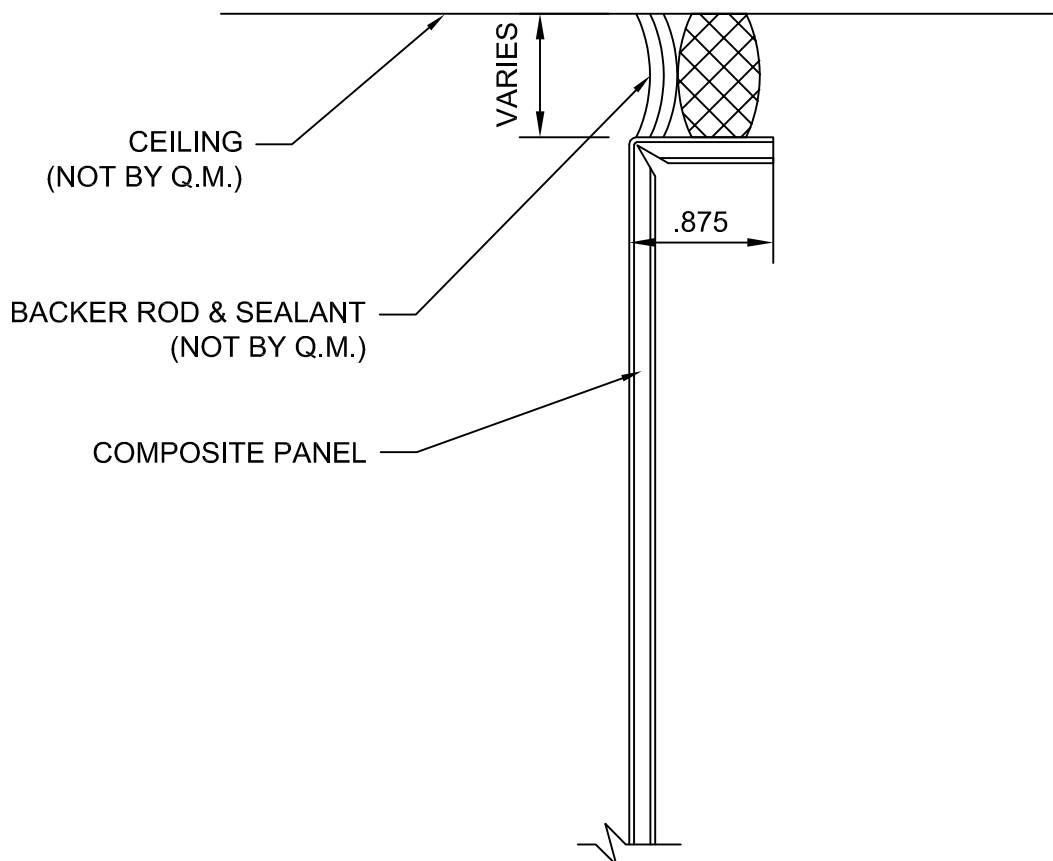


## RECTANGULAR - HEAD DETAIL (2)

DETAIL N

**NOTE:**

LOAD BEARING WALL COMPONENTS OF EITHER: 16GA STEEL STUDS, STRUCTURAL MEMBERS, MINIMUM 5/8" PLYWOOD OR CONCRETE. GYPSUM BOARD AND CEMENT BOARD ARE NOT A STRUCTURAL COMPONENT.



BACKER ROD &amp; SEALANT (OPTIONAL)

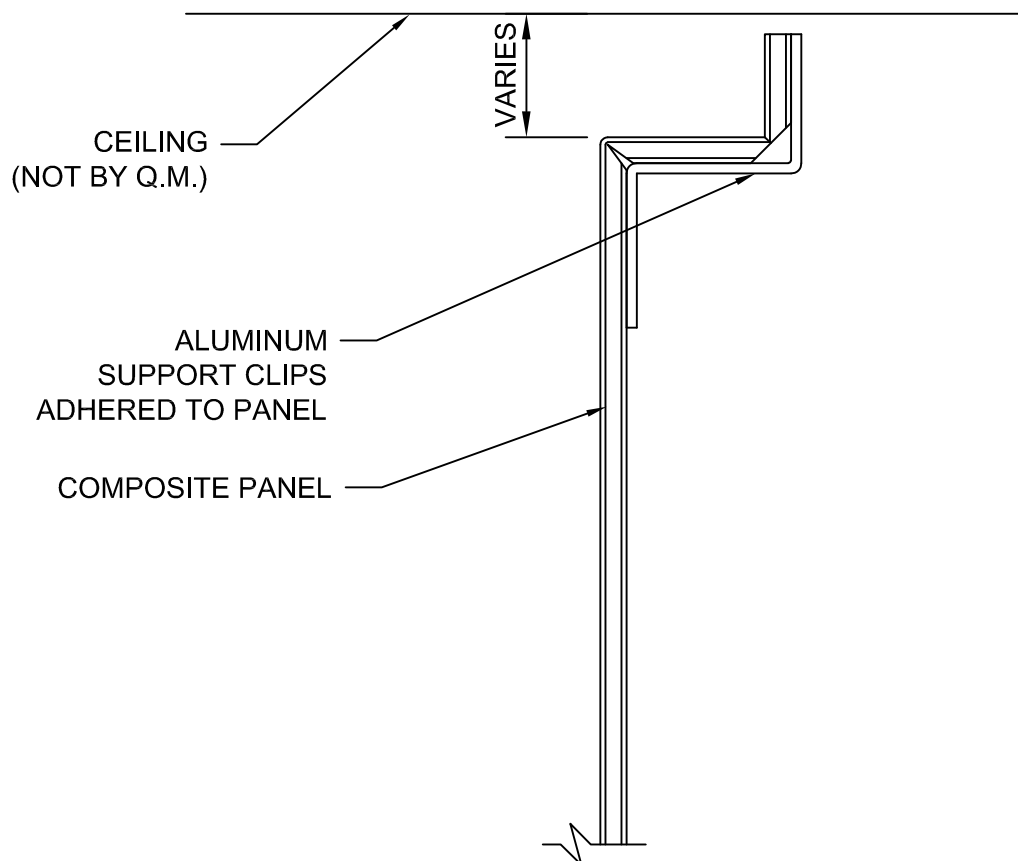
COPYRIGHT AMERICLAD, LLC

## RECTANGULAR - HEAD DETAIL (3)

DETAIL P

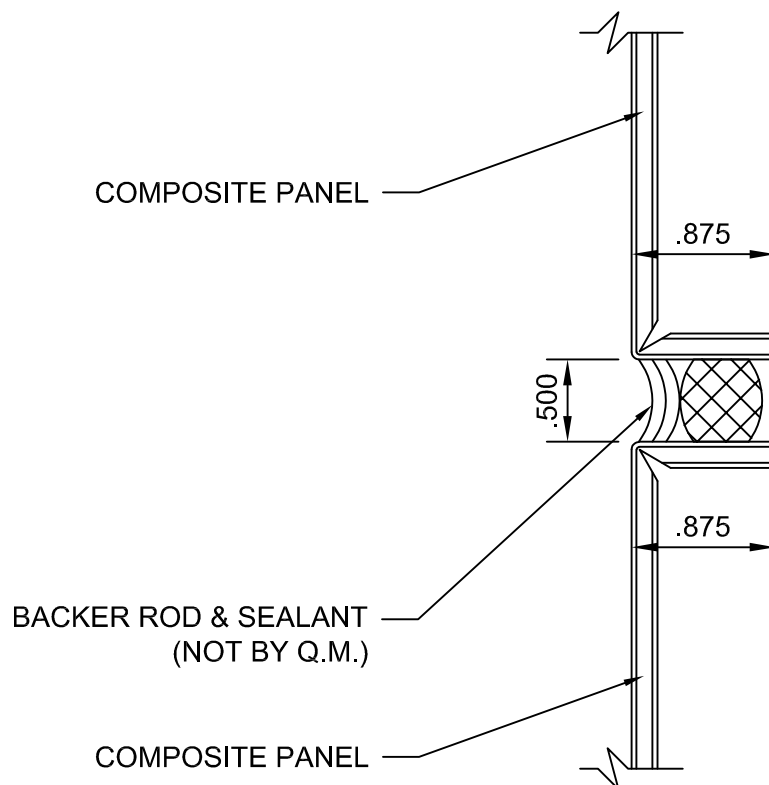
**NOTE:**

LOAD BEARING WALL COMPONENTS OF EITHER: 16GA STEEL STUDS, STRUCTURAL MEMBERS, MINIMUM 5/8" PLYWOOD OR CONCRETE. GYPSUM BOARD AND CEMENT BOARD ARE NOT A STRUCTURAL COMPONENT.



**RECTANGULAR - INTERMEDIATE DETAIL (1)      DETAIL Q****NOTE:**

**LOAD BEARING WALL COMPONENTS OF EITHER: 16GA STEEL STUDS, STRUCTURAL MEMBERS, MINIMUM 5/8" PLYWOOD OR CONCRETE. GYPSUM BOARD AND CEMENT BOARD ARE NOT A STRUCTURAL COMPONENT.**

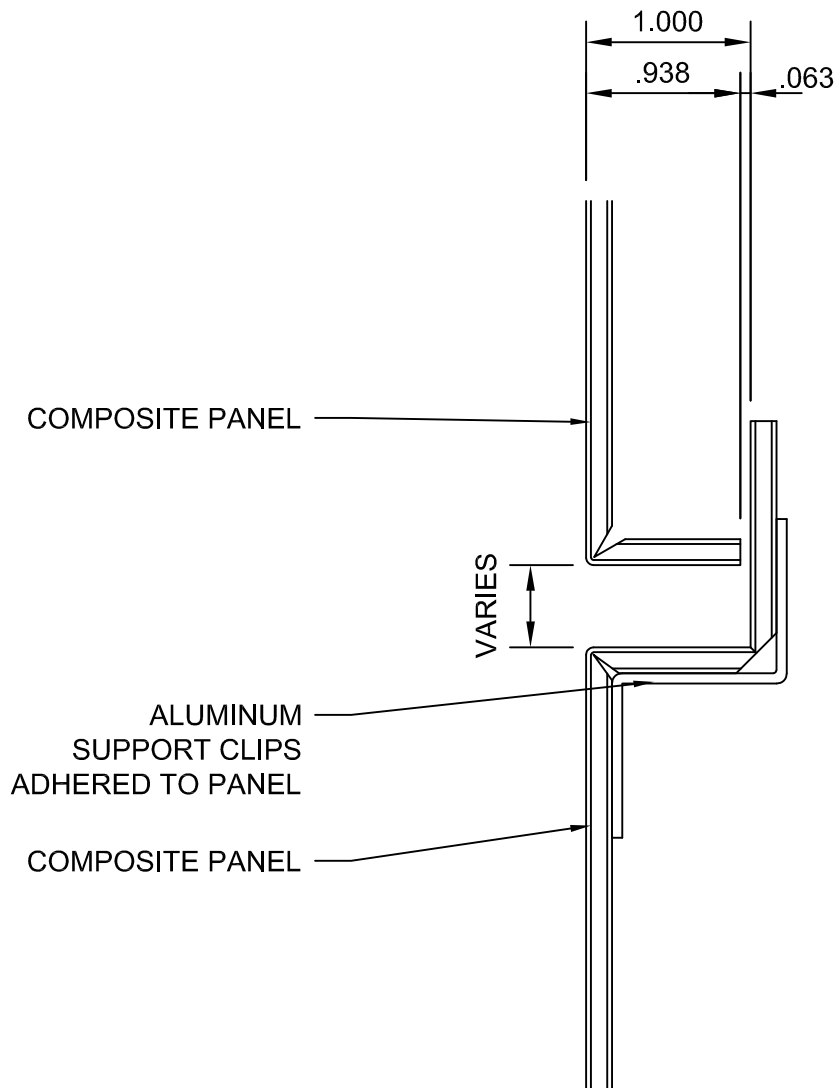




## RECTANGULAR - INTERMEDIATE DETAIL (2)      DETAIL R

**NOTE:**

LOAD BEARING WALL COMPONENTS OF EITHER: 16GA STEEL STUDS, STRUCTURAL MEMBERS, MINIMUM 5/8" PLYWOOD OR CONCRETE. GYPSUM BOARD AND CEMENT BOARD ARE NOT A STRUCTURAL COMPONENT.

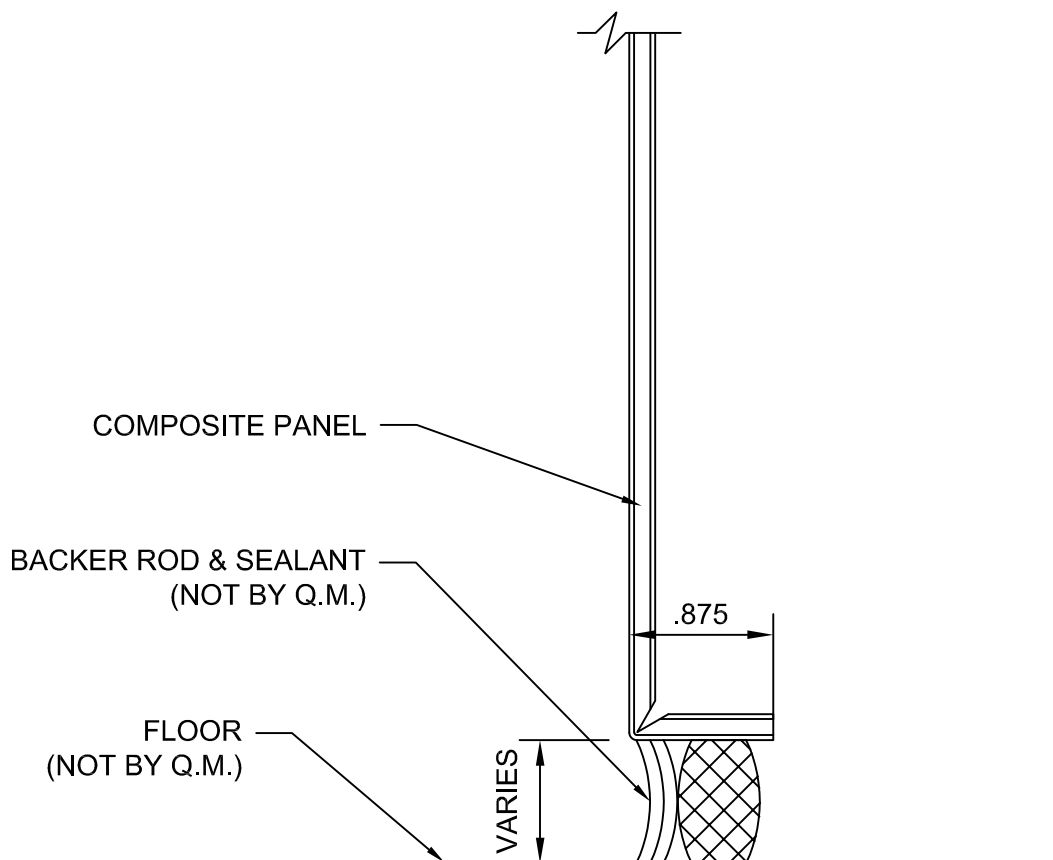


## RECTANGULAR - BASE DETAIL (1)

## DETAIL S

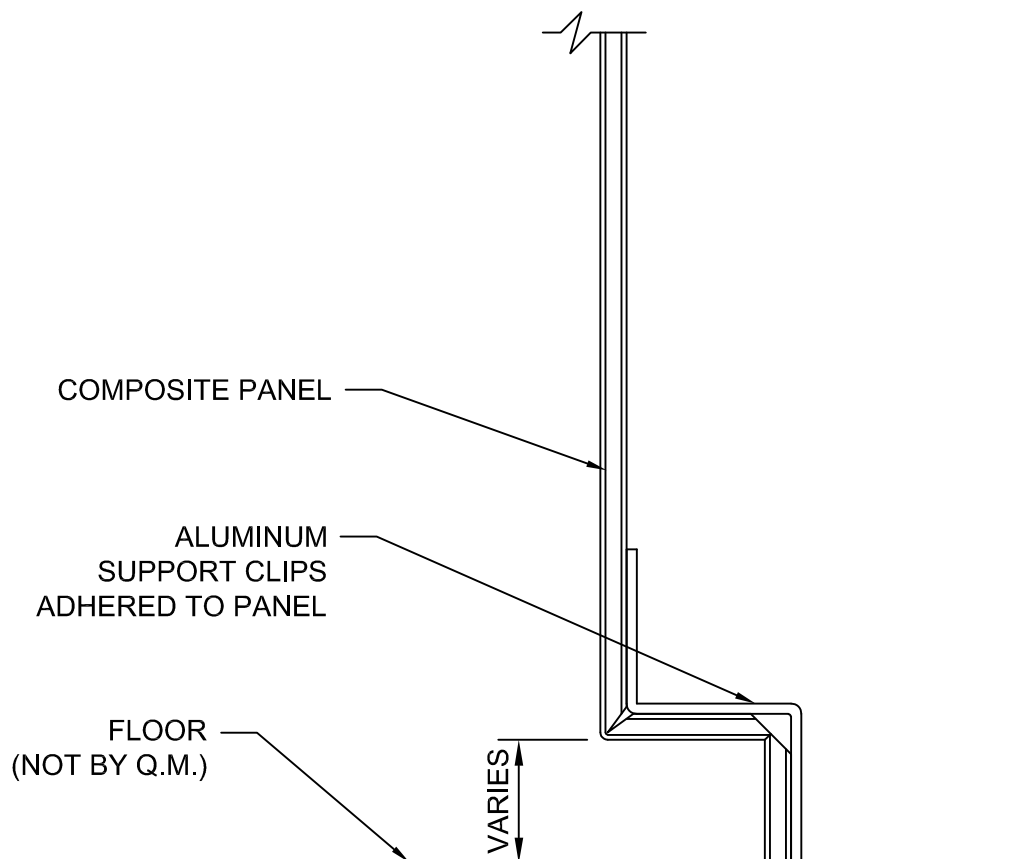
**NOTE:**

**LOAD BEARING WALL COMPONENTS OF EITHER: 16GA STEEL STUDS, STRUCTURAL MEMBERS, MINIMUM 5/8" PLYWOOD OR CONCRETE. GYPSUM BOARD AND CEMENT BOARD ARE NOT A STRUCTURAL COMPONENT.**



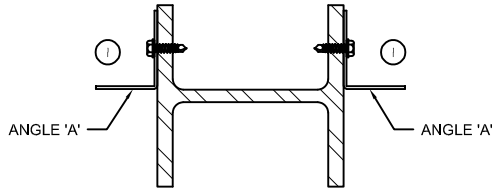
**RECTANGULAR - BASE DETAIL (2)****DETAIL T****NOTE:**

**LOAD BEARING WALL COMPONENTS OF EITHER: 16GA STEEL STUDS, STRUCTURAL MEMBERS, MINIMUM 5/8" PLYWOOD OR CONCRETE. GYPSUM BOARD AND CEMENT BOARD ARE NOT A STRUCTURAL COMPONENT.**

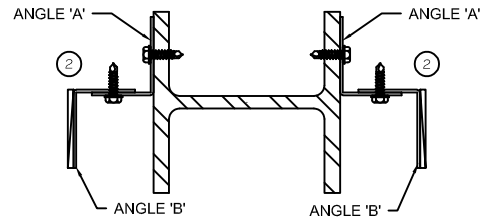


## COMPOSITE COLUMN COVER (HAIRLINE JOINT) INSTALLATION GUIDE

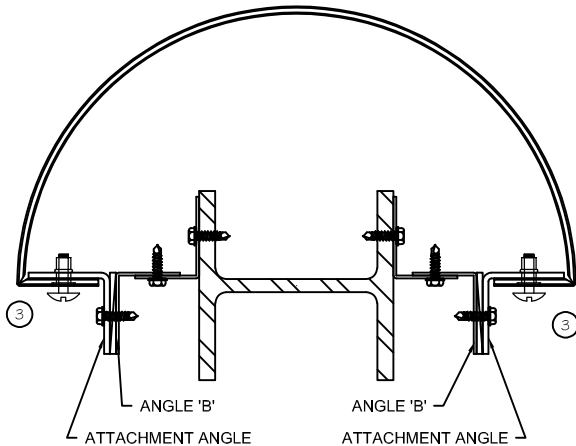
### DETAIL U



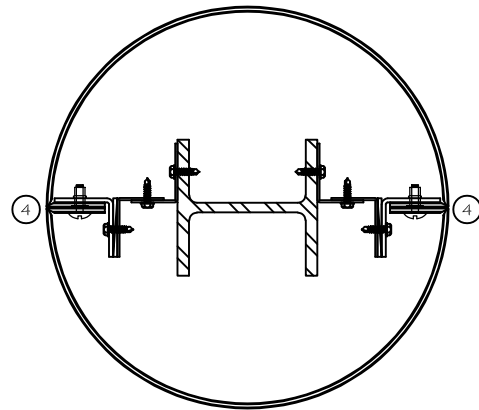
① FASTEN FRAMING ANGLE 'A' TO EACH SIDE OF STRUCTURAL COLUMN



② FASTEN FRAMING ANGLE 'B' PLUMB TO EACH ANGLE 'A' (SHIM AS REQUIRED)



③ FASTEN FIRST COLUMN COVER PANEL, FASTENING THRU ATTACHMENT ANGLE INTO ANGLE 'B'



④ INSTALL SECOND COLUMN COVER PANEL, LINE UP KEYSLOT WITH ADJACENT RIVNUT ASSEMBLY'S. PULL PANEL DOWN TO LOCK PANEL INTO FINAL POSITION.