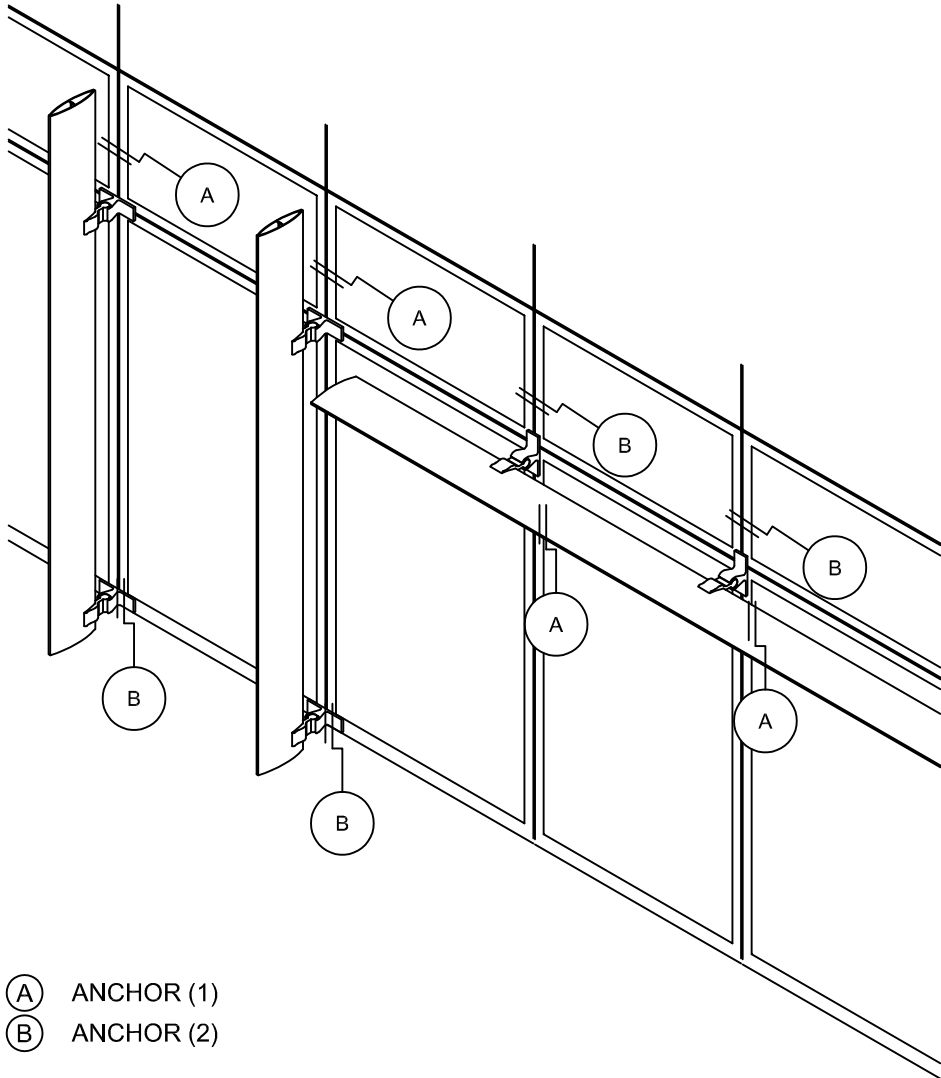
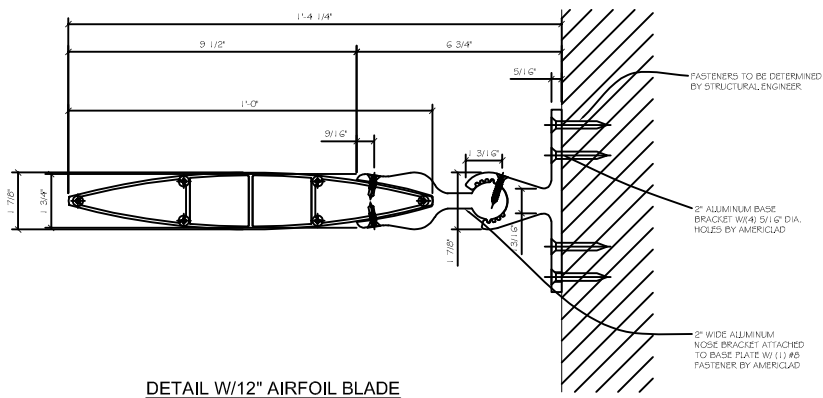
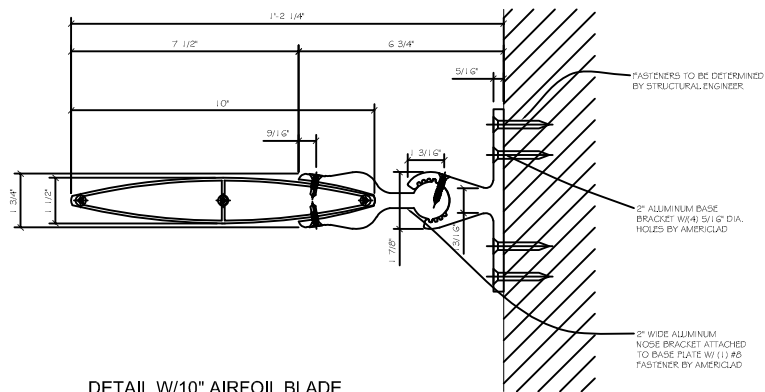
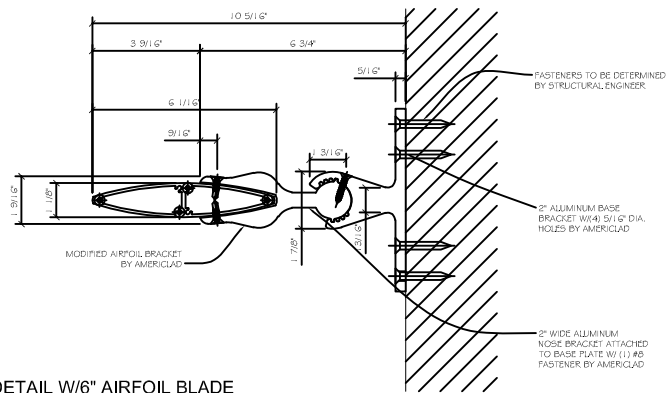


EXTERIOR SUN CONTROL DEVICE (RECTANGULAR BLADES)



ANCHOR (1)
DETAIL A
NOTE:

STRUCTURE MUST BE APPROVED BY A LICENSED ENGINEER. GYPSUM BOARD AND CEMENT BOARD ARE NOT A STRUCTURAL COMPONENT.

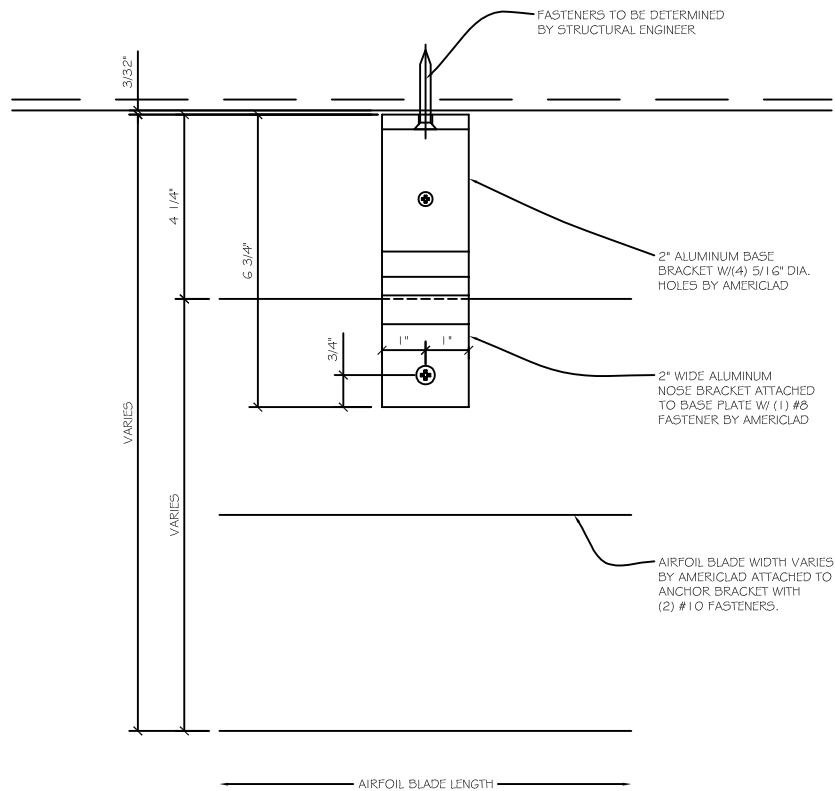


ANCHOR (2)

DETAIL B

NOTE:

STRUCTURE MUST BE APPROVED BY A LICENSED ENGINEER. GYPSUM BOARD AND CEMENT BOARD ARE NOT A STRUCTURAL COMPONENT.



VERTICAL PLAN DETAIL