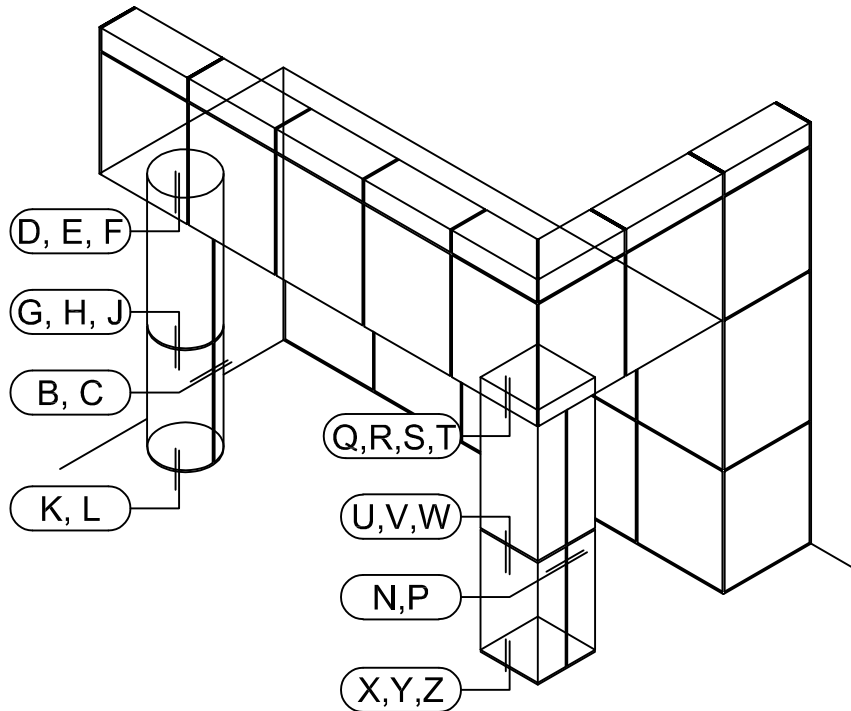


STAINLESS STEEL COLUMN COVER (REVEAL JOINT)

NOTE:

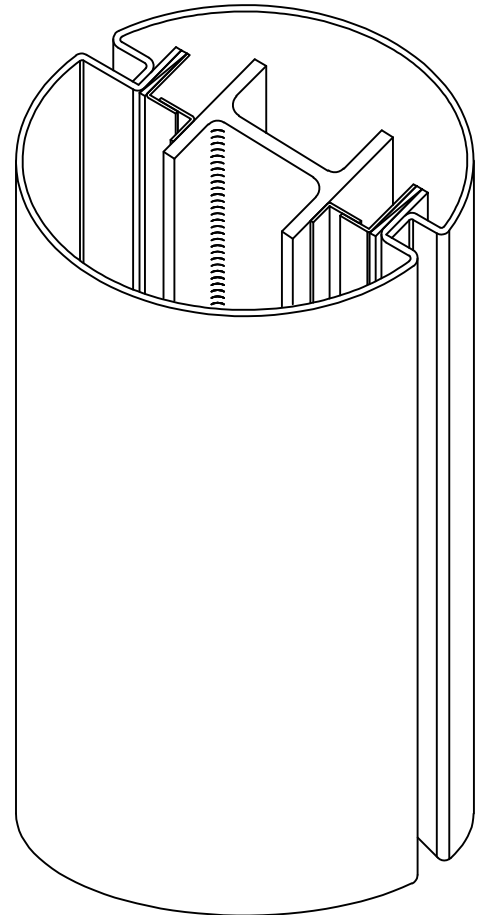
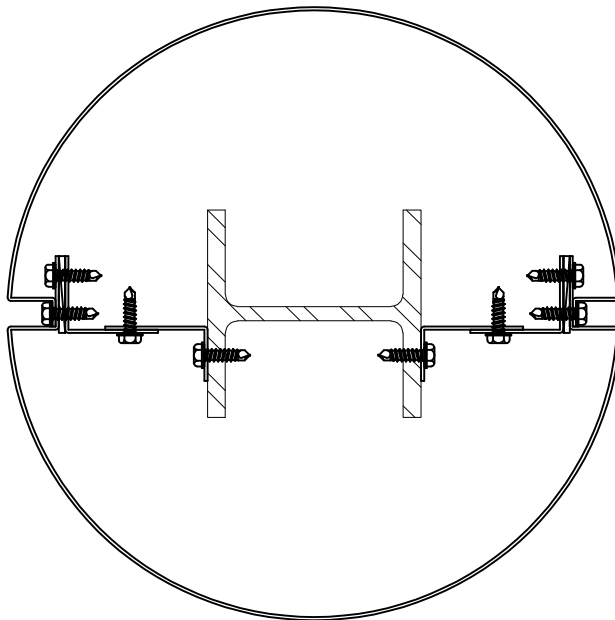
LOAD BEARING WALL COMPONENTS OF EITHER: 16GA STEEL STUDS, STRUCTURAL MEMBERS, MINIMUM 5/8" PLYWOOD OR CONCRETE. GYPSUM BOARD AND CEMENT BOARD ARE NOT A STRUCTURAL COMPONENT.



- | | |
|--|---|
| (A) RADIUSED - ISOMETRIC | (M) RECTANGULAR - ISOMETRIC |
| (B) RADIUSED - VERTICAL DETAIL (1) | (N) RECTANGULAR - VERTICAL DETAIL (1) |
| (C) RADIUSED - VERTICAL DETAIL (2) | (P) RECTANGULAR - VERTICAL DETAIL (2) |
| (D) RADIUSED - HEAD DETAIL (1) | (Q) RECTANGULAR - HEAD DETAIL (1) |
| (E) RADIUSED - HEAD DETAIL (2) | (R) RECTANGULAR - HEAD DETAIL (2) |
| (F) RADIUSED - HEAD DETAIL (3) | (S) RECTANGULAR - HEAD DETAIL (3) |
| (G) RADIUSED - INTERMEDIATE DETAIL (1) | (T) RECTANGULAR - HEAD DETAIL (4) |
| (H) RADIUSED - INTERMEDIATE DETAIL (2) | (U) RECTANGULAR - INTERMEDIATE DETAIL (1) |
| (J) RADIUSED - INTERMEDIATE DETAIL (3) | (V) RECTANGULAR - INTERMEDIATE DETAIL (2) |
| (K) RADIUSED - BASE DETAIL (1) | (W) RECTANGULAR - INTERMEDIATE DETAIL (3) |
| (L) RADIUSED - BASE DETAIL (2) | (X) RECTANGULAR - BASE DETAIL (1) |
| | (Y) RECTANGULAR - BASE DETAIL (2) |
| | (Z) RECTANGULAR - BASE DETAIL (3) |
| | (AA) INSTALLATION GUIDE |

RADIUSED - ISOMETRIC**DETAIL A****NOTE:**

LOAD BEARING WALL COMPONENTS OF EITHER: 16GA STEEL STUDS, STRUCTURAL MEMBERS, MINIMUM 5/8" PLYWOOD OR CONCRETE. GYPSUM BOARD AND CEMENT BOARD ARE NOT A STRUCTURAL COMPONENT.



MINIMUM RADIUS (5 1/2") MAX LENGTH PER PANEL (16'-0")

COPYRIGHT AMERICLAD, LLC

21925 Industrial Boulevard · Rogers, Minnesota · Toll-Free: 1-866-260-4047 · americlad.com

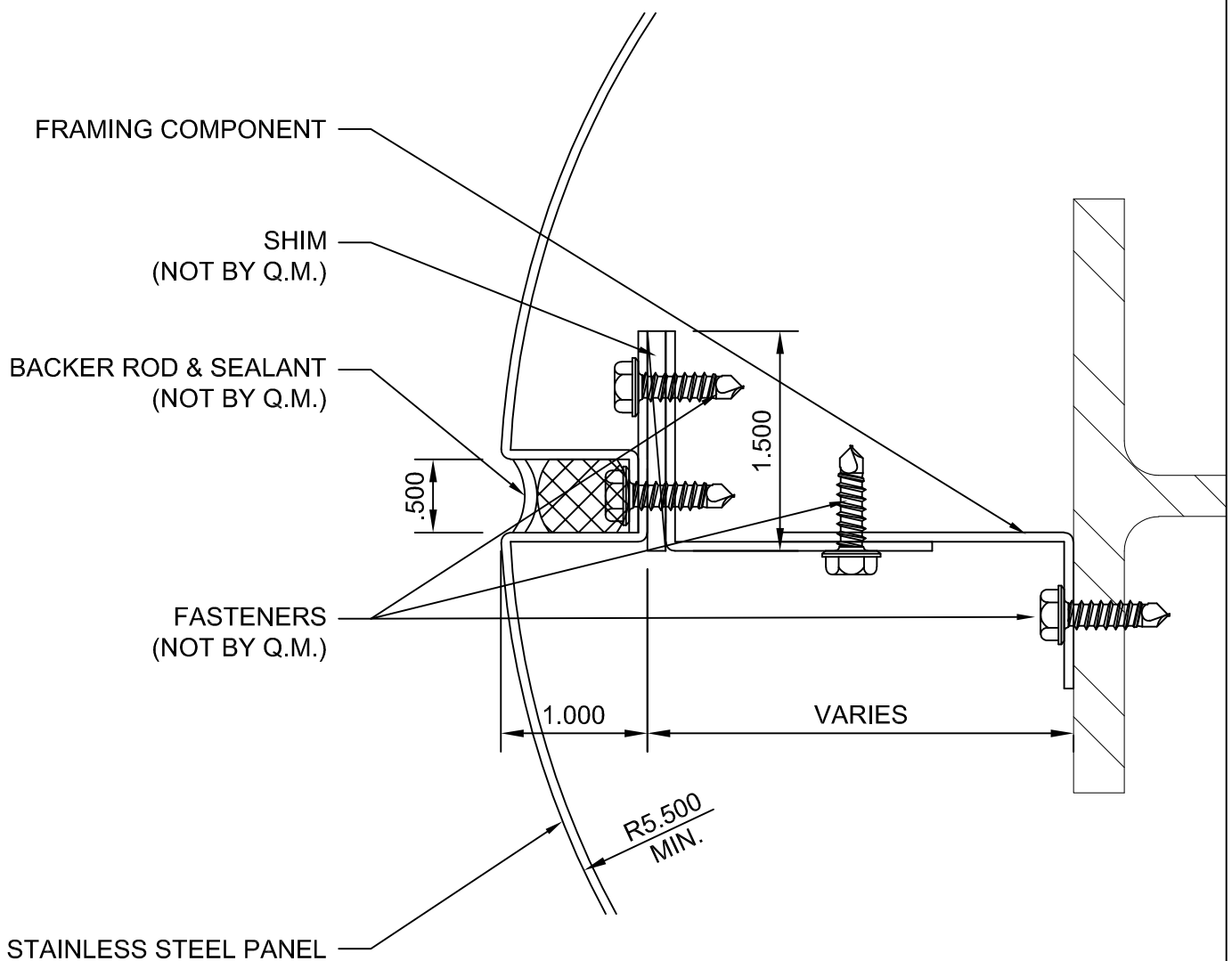
Architectural Metal Products

RADIUSED - VERTICAL DETAIL (1)

DETAIL B

NOTE:

LOAD BEARING WALL COMPONENTS OF EITHER: 16GA STEEL STUDS, STRUCTURAL MEMBERS, MINIMUM 5/8" PLYWOOD OR CONCRETE. GYPSUM BOARD AND CEMENT BOARD ARE NOT A STRUCTURAL COMPONENT.

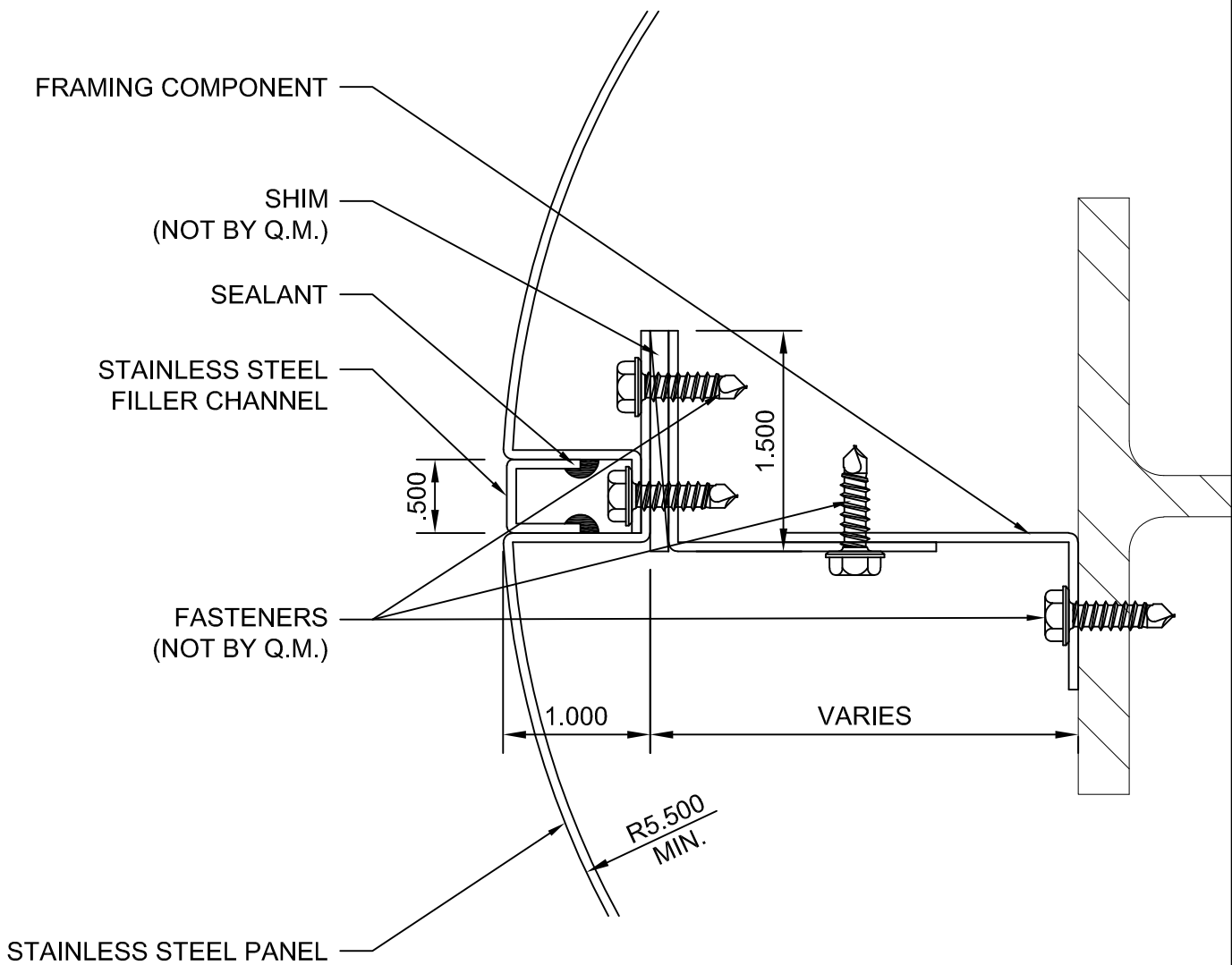


RADIUSED - VERTICAL DETAIL (2)

DETAIL C

NOTE:

LOAD BEARING WALL COMPONENTS OF EITHER: 16GA STEEL STUDS, STRUCTURAL MEMBERS, MINIMUM 5/8" PLYWOOD OR CONCRETE. GYPSUM BOARD AND CEMENT BOARD ARE NOT A STRUCTURAL COMPONENT.

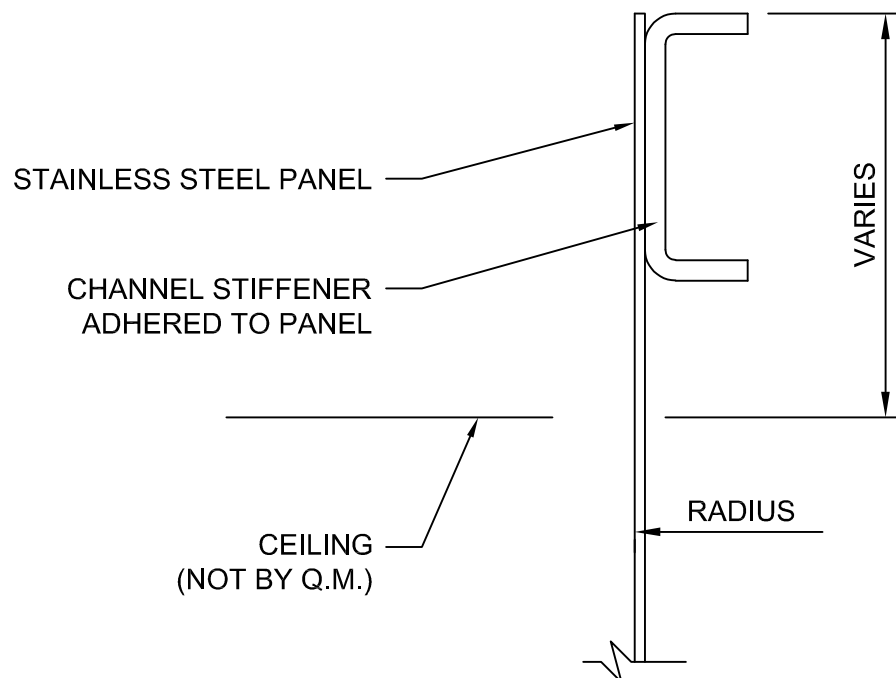


RADIUSED - HEAD DETAIL (1)

DETAIL D

NOTE:

LOAD BEARING WALL COMPONENTS OF EITHER: 16GA STEEL STUDS, STRUCTURAL MEMBERS, MINIMUM 5/8" PLYWOOD OR CONCRETE. GYPSUM BOARD AND CEMENT BOARD ARE NOT A STRUCTURAL COMPONENT.

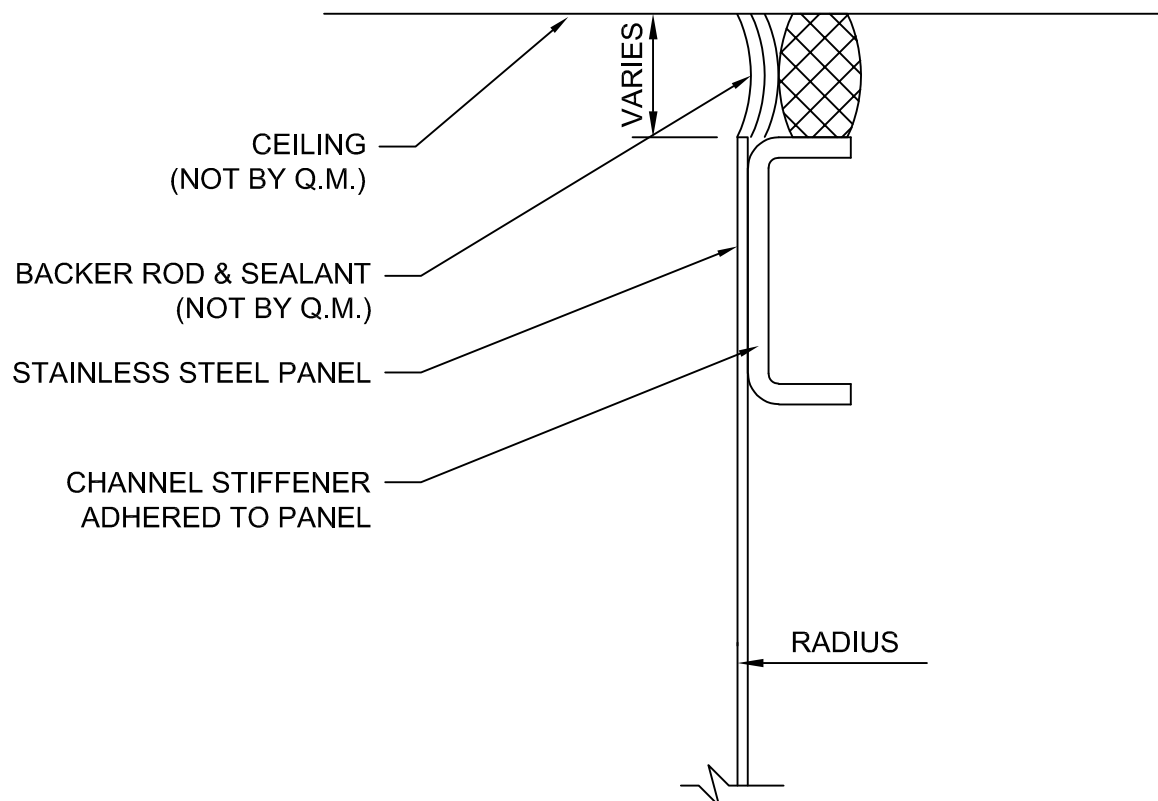


RADIUSED - HEAD DETAIL (2)

DETAIL E

NOTE:

LOAD BEARING WALL COMPONENTS OF EITHER: 16GA STEEL STUDS, STRUCTURAL MEMBERS, MINIMUM 5/8" PLYWOOD OR CONCRETE. GYPSUM BOARD AND CEMENT BOARD ARE NOT A STRUCTURAL COMPONENT.



BACKER ROD & SEALANT (OPTIONAL)

COPYRIGHT AMERICLAD, LLC

21925 Industrial Boulevard · Rogers, Minnesota · Toll-Free: 1-866-260-4047 · americlad.com

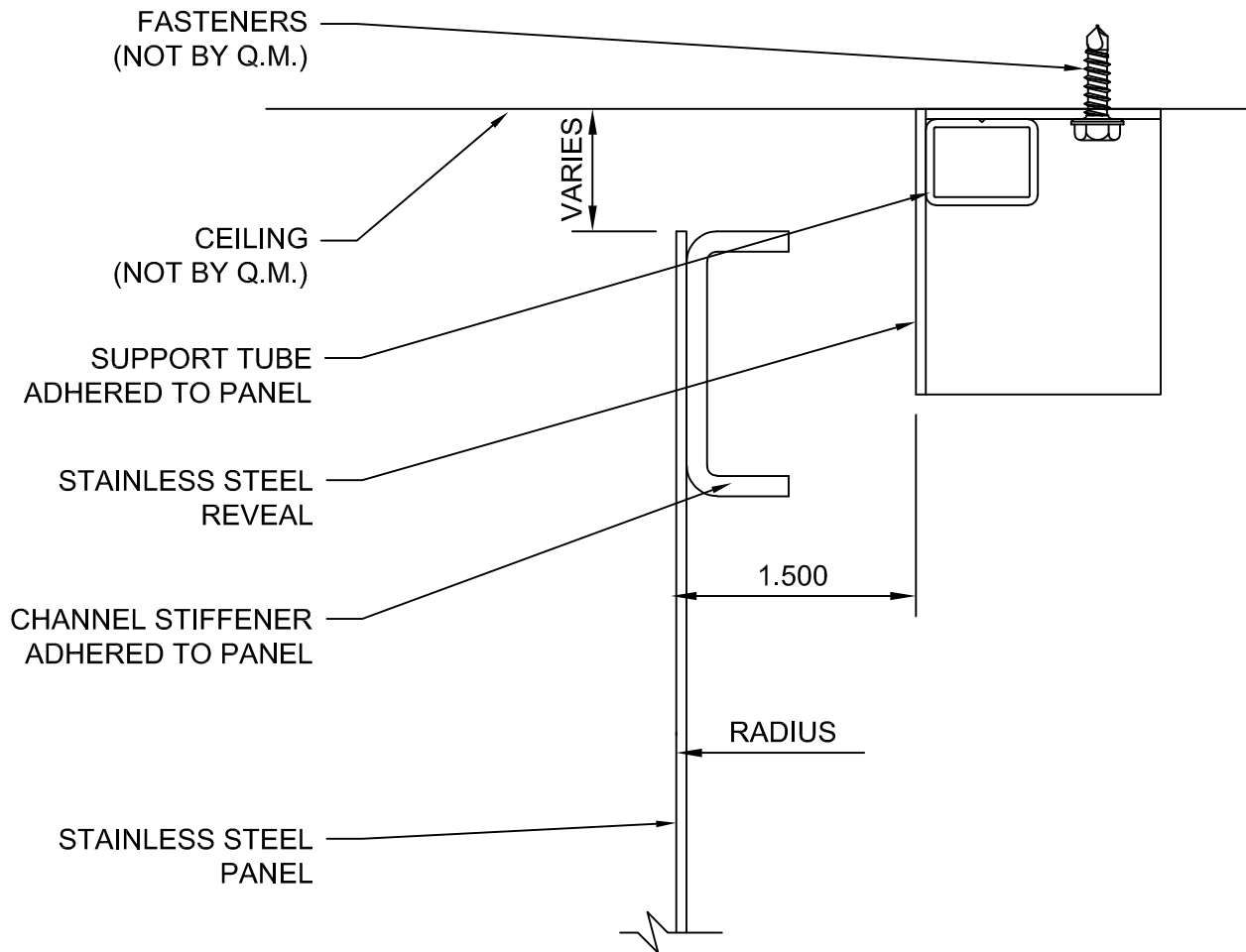
Architectural Metal Products

RADIUSED - HEAD DETAIL (3)

DETAIL F

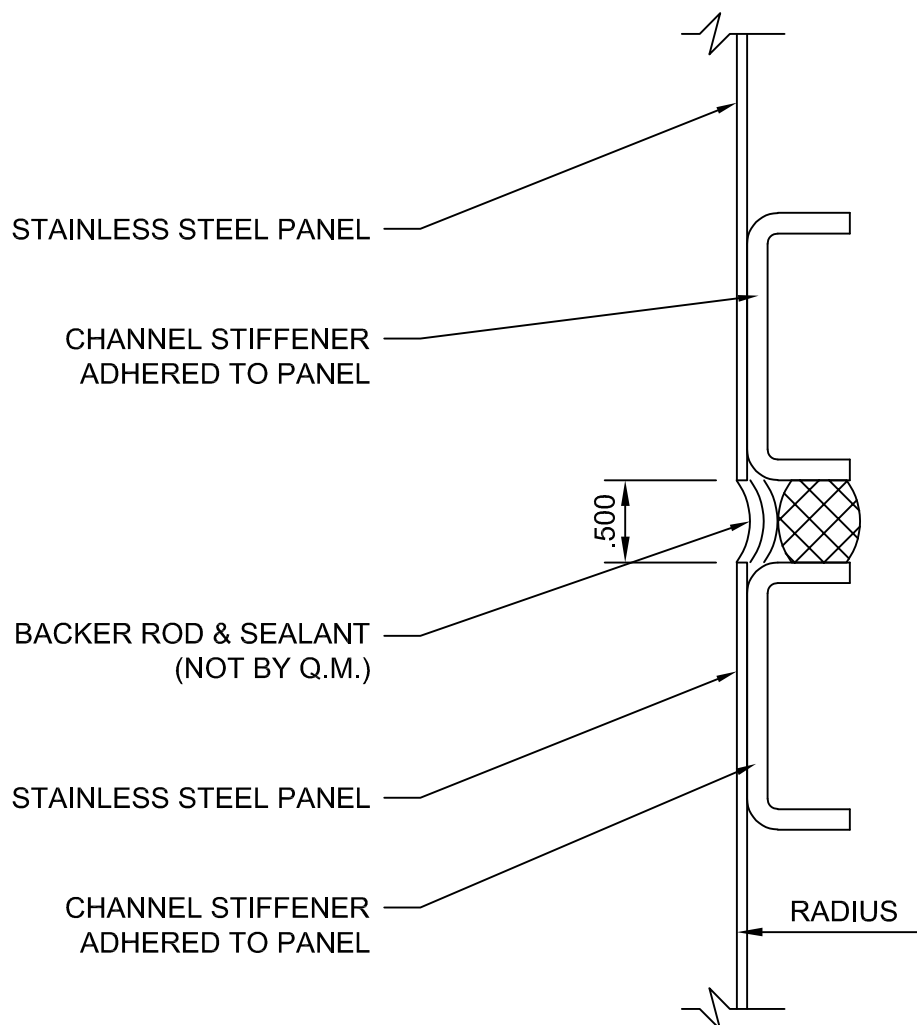
NOTE:

LOAD BEARING WALL COMPONENTS OF EITHER: 16GA STEEL STUDS, STRUCTURAL MEMBERS, MINIMUM 5/8" PLYWOOD OR CONCRETE. GYPSUM BOARD AND CEMENT BOARD ARE NOT A STRUCTURAL COMPONENT.



RADIUSED - INTERMEDIATE DETAIL (1)**DETAIL G****NOTE:**

LOAD BEARING WALL COMPONENTS OF EITHER: 16GA STEEL STUDS, STRUCTURAL MEMBERS, MINIMUM 5/8" PLYWOOD OR CONCRETE. GYPSUM BOARD AND CEMENT BOARD ARE NOT A STRUCTURAL COMPONENT.

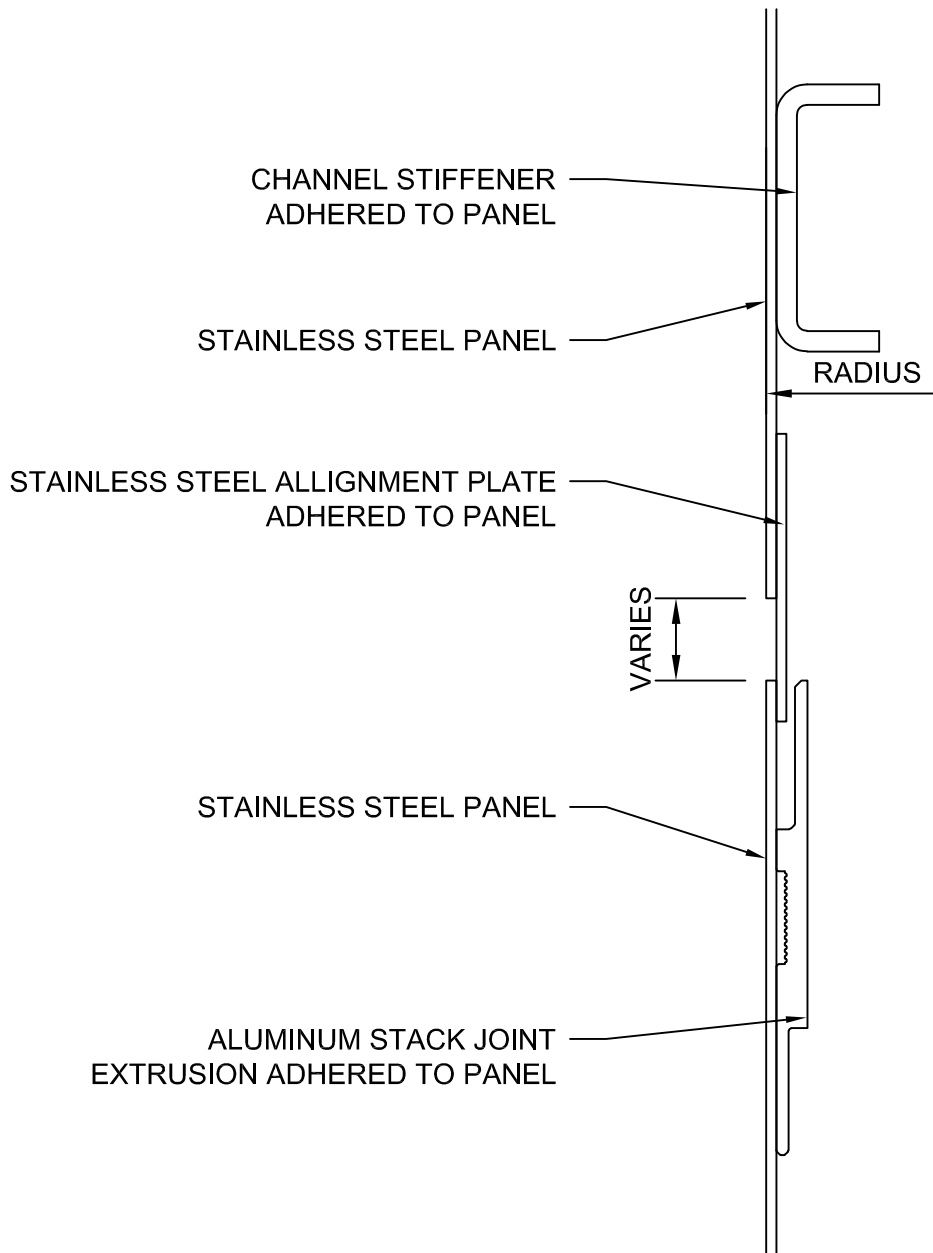


RADIUSED - INTERMEDIATE DETAIL (2)

DETAIL H

NOTE:

LOAD BEARING WALL COMPONENTS OF EITHER: 16GA STEEL STUDS, STRUCTURAL MEMBERS, MINIMUM 5/8" PLYWOOD OR CONCRETE. GYPSUM BOARD AND CEMENT BOARD ARE NOT A STRUCTURAL COMPONENT.

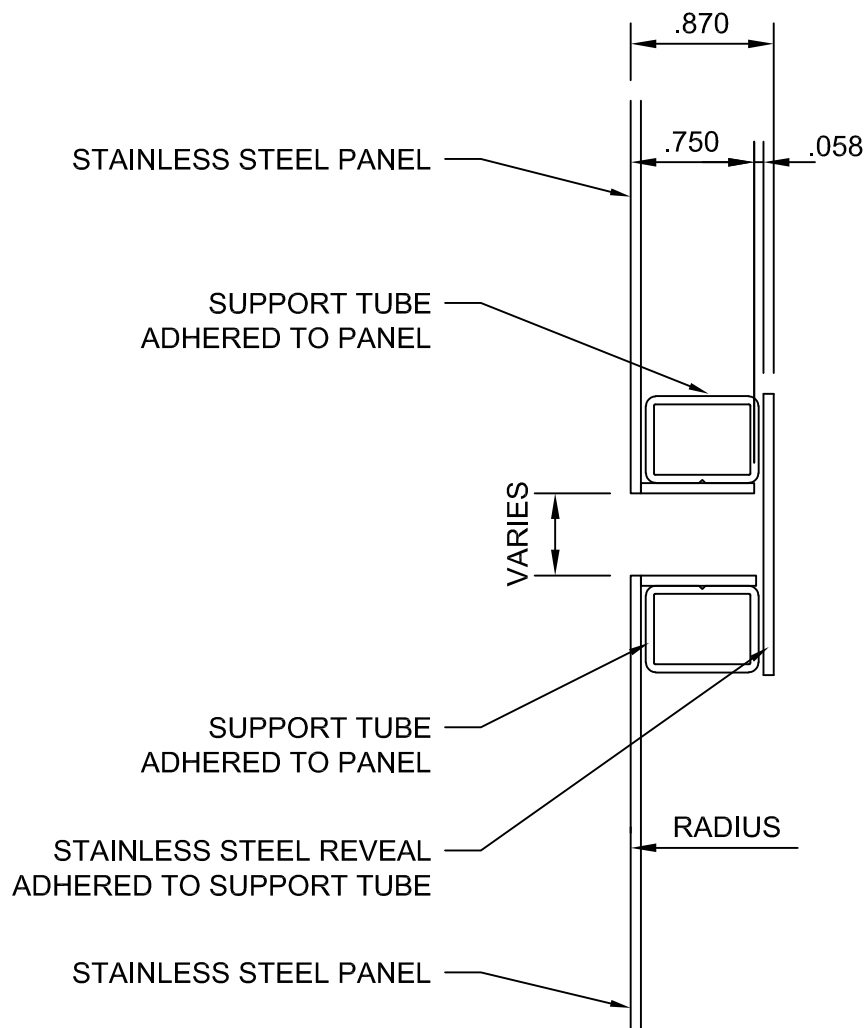


RADIUSED - INTERMEDIATE DETAIL (3)

DETAIL J

NOTE:

LOAD BEARING WALL COMPONENTS OF EITHER: 16GA STEEL STUDS, STRUCTURAL MEMBERS, MINIMUM 5/8" PLYWOOD OR CONCRETE. GYPSUM BOARD AND CEMENT BOARD ARE NOT A STRUCTURAL COMPONENT.

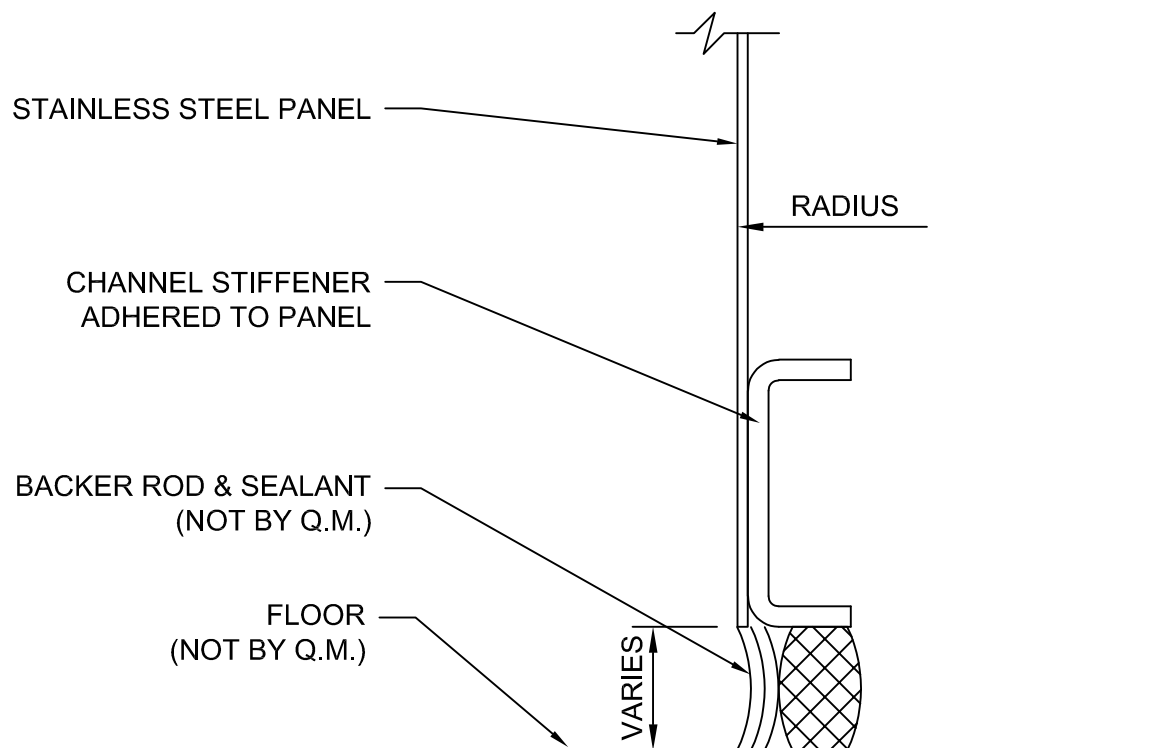


RADIUSED - BASE DETAIL (1)

DETAIL K

NOTE:

LOAD BEARING WALL COMPONENTS OF EITHER: 16GA STEEL STUDS, STRUCTURAL MEMBERS, MINIMUM 5/8" PLYWOOD OR CONCRETE. GYPSUM BOARD AND CEMENT BOARD ARE NOT A STRUCTURAL COMPONENT.

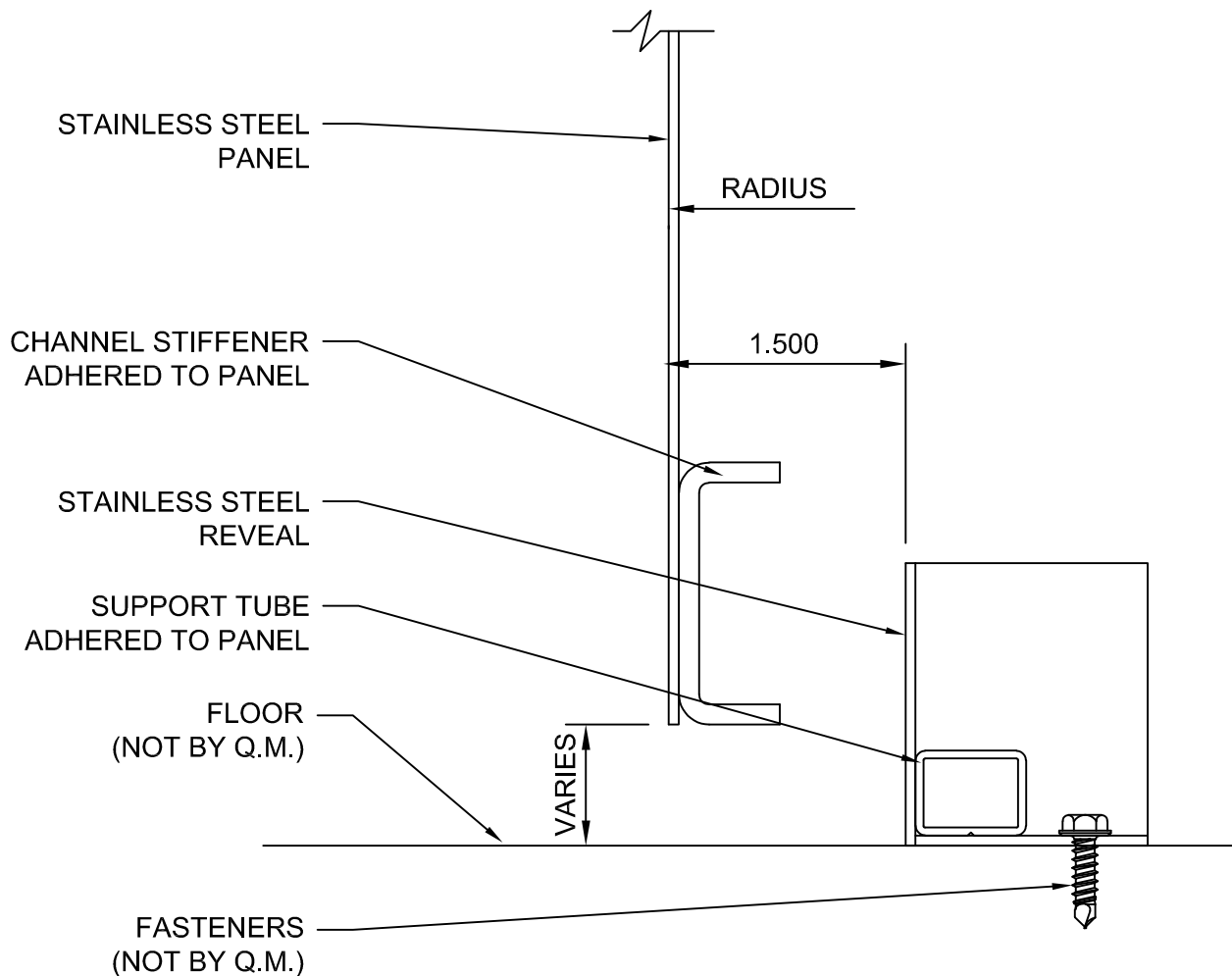


RADIUSED - BASE DETAIL (2)

DETAIL L

NOTE:

LOAD BEARING WALL COMPONENTS OF EITHER: 16GA STEEL STUDS, STRUCTURAL MEMBERS, MINIMUM 5/8" PLYWOOD OR CONCRETE. GYPSUM BOARD AND CEMENT BOARD ARE NOT A STRUCTURAL COMPONENT.

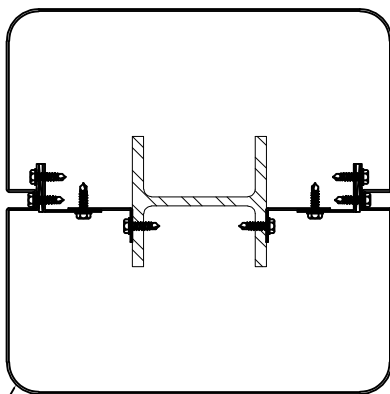
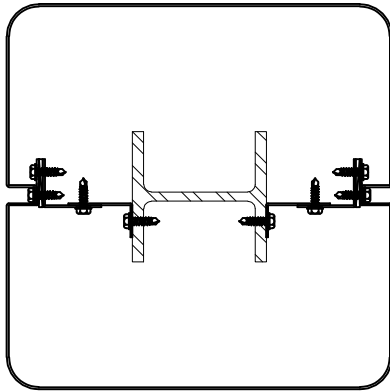


RECTANGULAR - ISOMETRIC

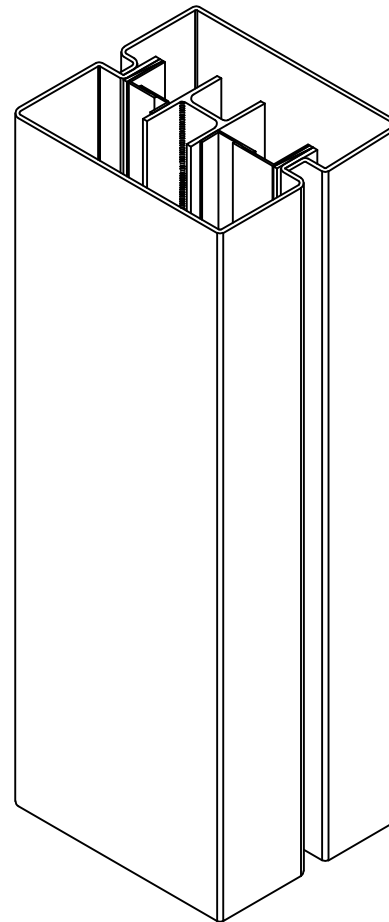
DETAIL M

NOTE:

LOAD BEARING WALL COMPONENTS OF EITHER: 16GA STEEL STUDS, STRUCTURAL MEMBERS, MINIMUM 5/8" PLYWOOD OR CONCRETE. GYPSUM BOARD AND CEMENT BOARD ARE NOT A STRUCTURAL COMPONENT.



R1.000

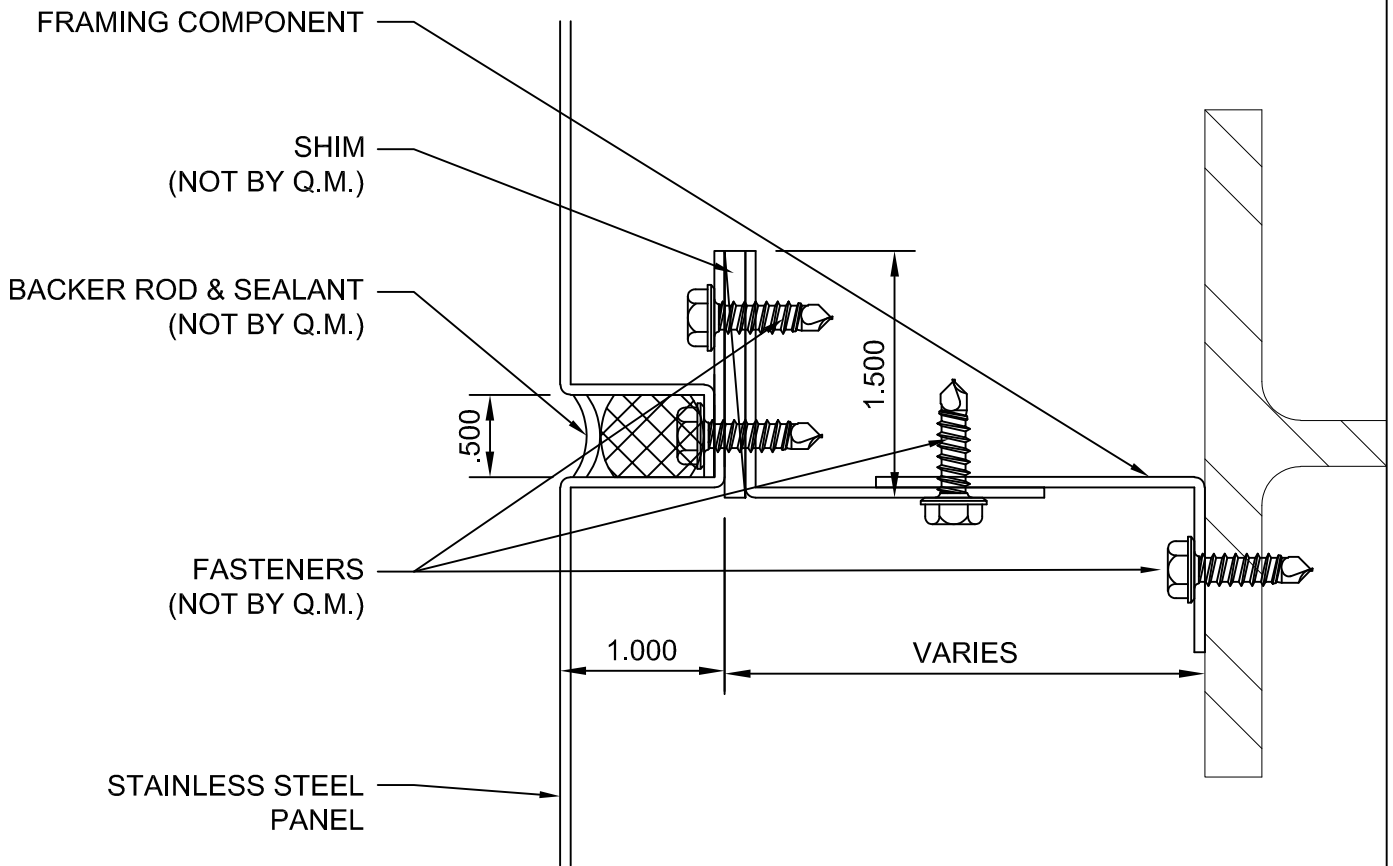


RECTANGULAR - VERTICAL DETAIL (1)

DETAIL N

NOTE:

LOAD BEARING WALL COMPONENTS OF EITHER: 16GA STEEL STUDS, STRUCTURAL MEMBERS, MINIMUM 5/8" PLYWOOD OR CONCRETE. GYPSUM BOARD AND CEMENT BOARD ARE NOT A STRUCTURAL COMPONENT.

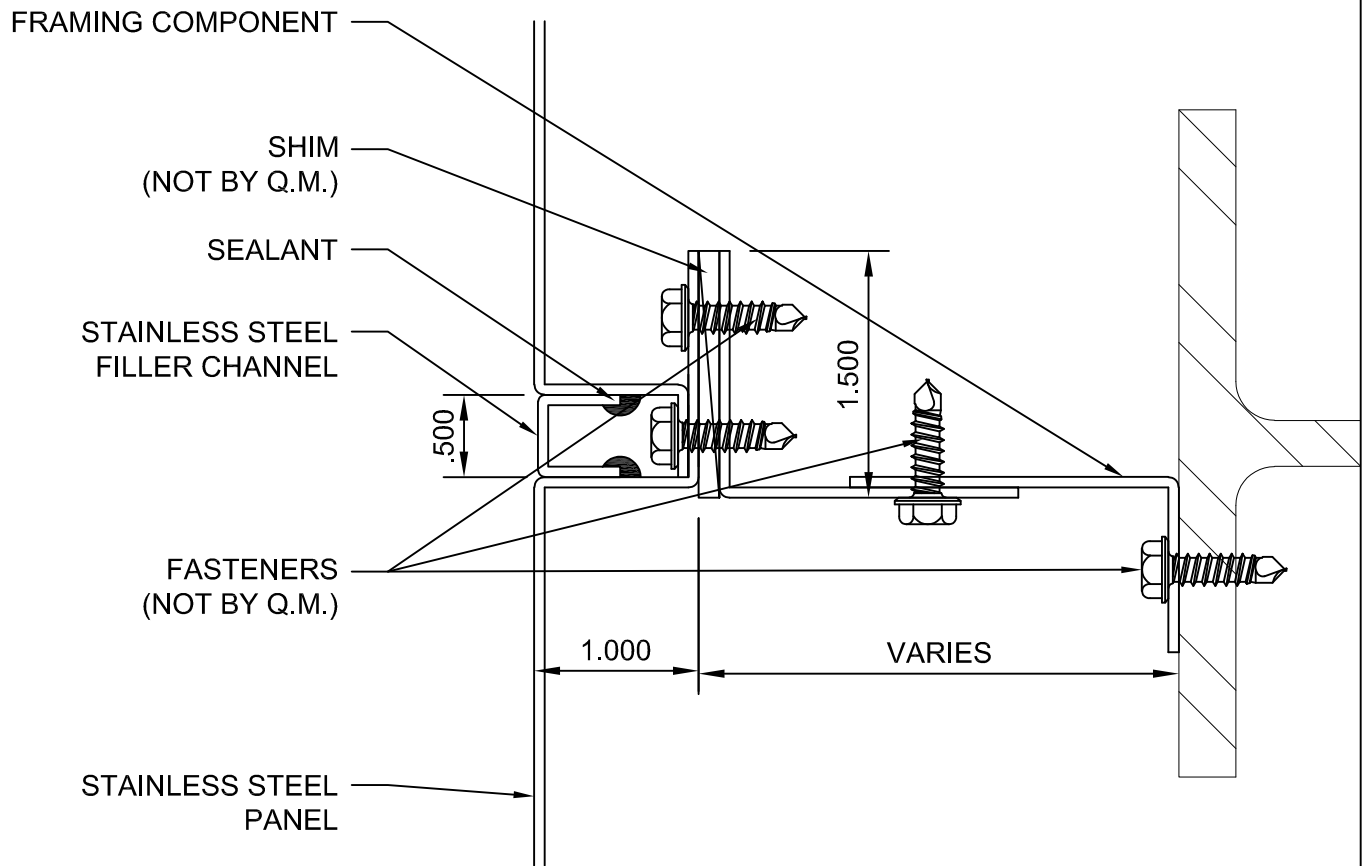


RECTANGULAR - VERTICAL DETAIL (2)

DETAIL P

NOTE:

LOAD BEARING WALL COMPONENTS OF EITHER: 16GA STEEL STUDS, STRUCTURAL MEMBERS, MINIMUM 5/8" PLYWOOD OR CONCRETE. GYPSUM BOARD AND CEMENT BOARD ARE NOT A STRUCTURAL COMPONENT.

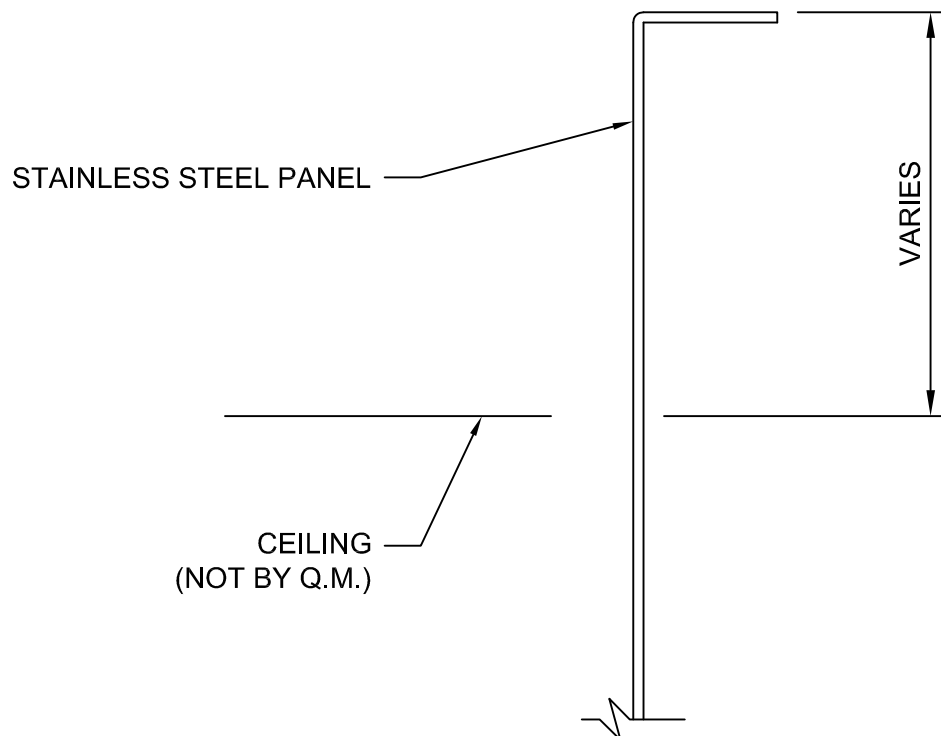


RECTANGULAR - HEAD DETAIL (1)

DETAIL Q

NOTE:

LOAD BEARING WALL COMPONENTS OF EITHER: 16GA STEEL STUDS, STRUCTURAL MEMBERS, MINIMUM 5/8" PLYWOOD OR CONCRETE. GYPSUM BOARD AND CEMENT BOARD ARE NOT A STRUCTURAL COMPONENT.

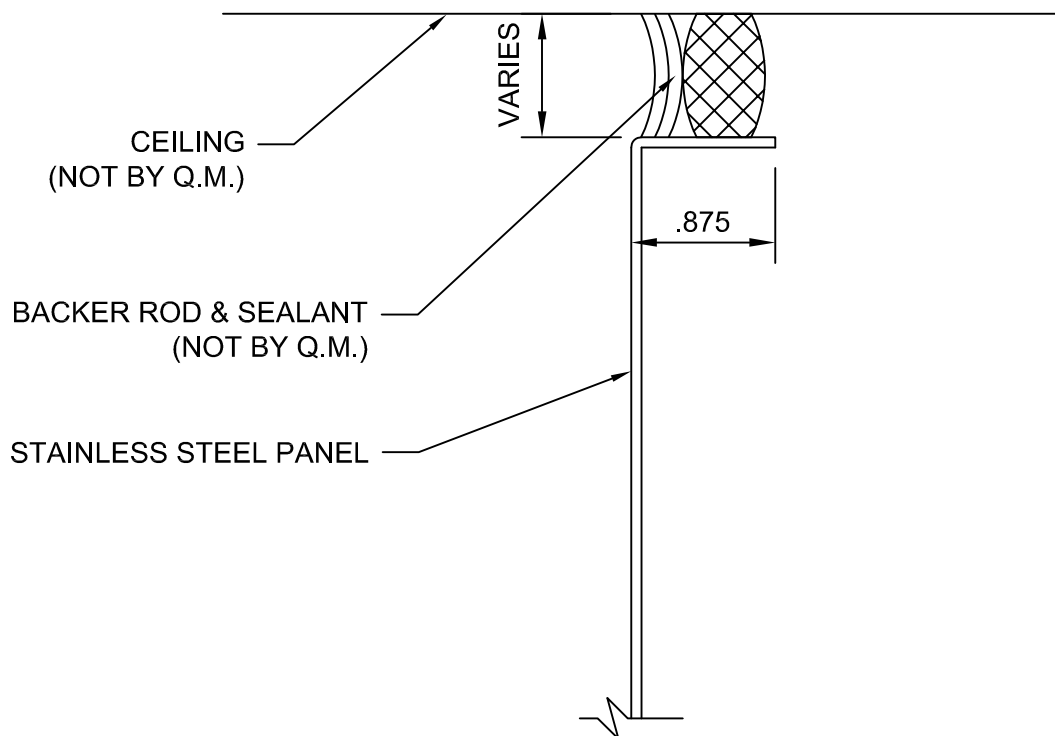


RECTANGULAR - HEAD DETAIL (2)

DETAIL R

NOTE:

LOAD BEARING WALL COMPONENTS OF EITHER: 16GA STEEL STUDS, STRUCTURAL MEMBERS, MINIMUM 5/8" PLYWOOD OR CONCRETE. GYPSUM BOARD AND CEMENT BOARD ARE NOT A STRUCTURAL COMPONENT.



BACKER ROD & SEALANT (OPTIONAL)

COPYRIGHT AMERICLAD, LLC

21925 Industrial Boulevard · Rogers, Minnesota · Toll-Free: 1-866-260-4047 · americlad.com

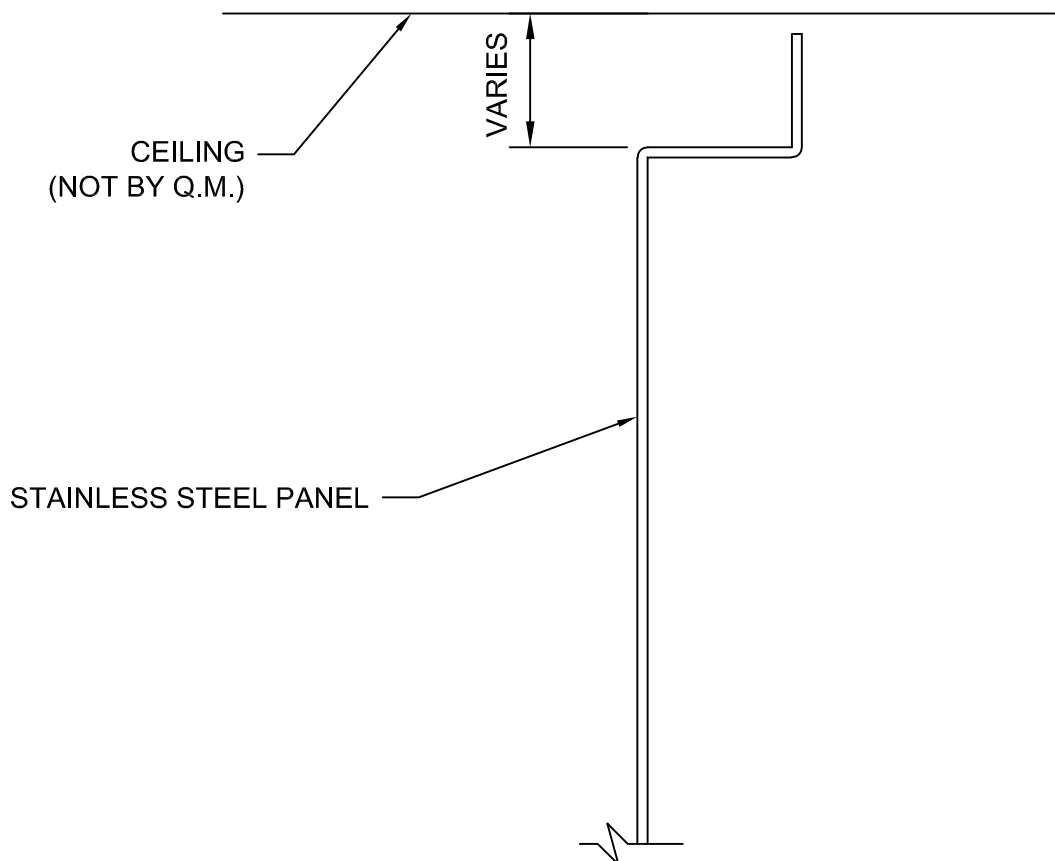
Architectural Metal Products

RECTANGULAR - HEAD DETAIL (3)

DETAIL S

NOTE:

LOAD BEARING WALL COMPONENTS OF EITHER: 16GA STEEL STUDS, STRUCTURAL MEMBERS, MINIMUM 5/8" PLYWOOD OR CONCRETE. GYPSUM BOARD AND CEMENT BOARD ARE NOT A STRUCTURAL COMPONENT.

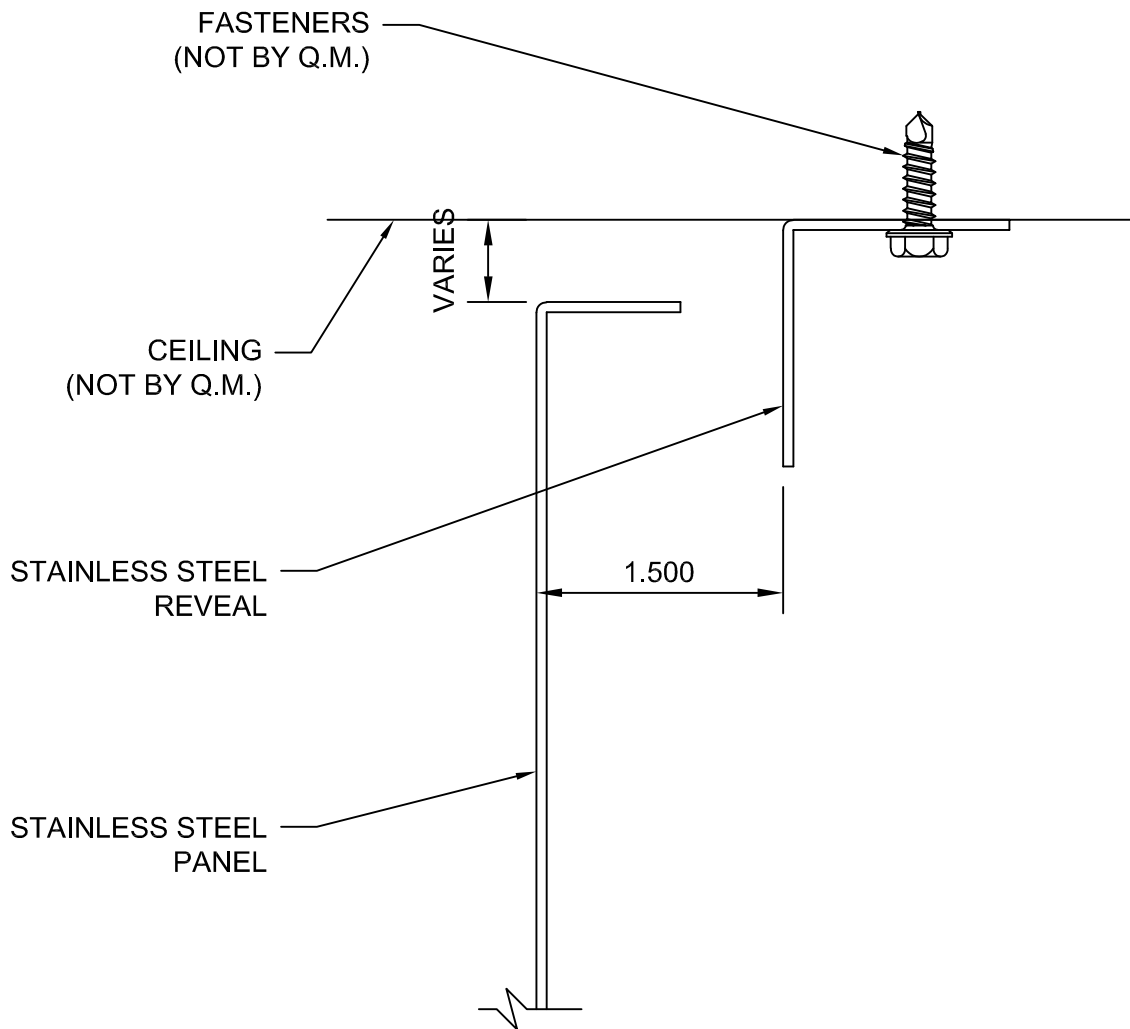


RECTANGULAR - HEAD DETAIL (4)

DETAIL T

NOTE:

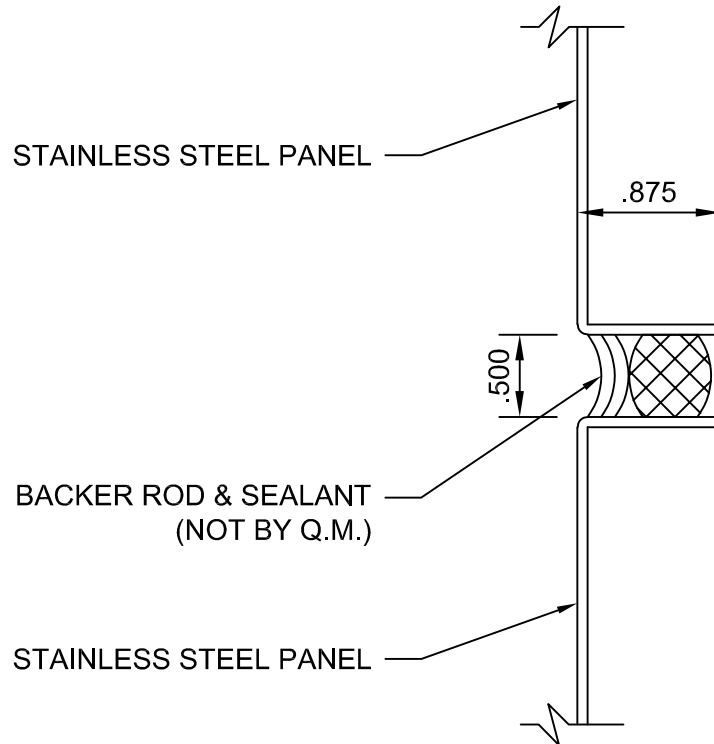
LOAD BEARING WALL COMPONENTS OF EITHER: 16GA STEEL STUDS, STRUCTURAL MEMBERS, MINIMUM 5/8" PLYWOOD OR CONCRETE. GYPSUM BOARD AND CEMENT BOARD ARE NOT A STRUCTURAL COMPONENT.



RECTANGULAR - INTERMEDIATE DETAIL (1) DETAIL U

NOTE:

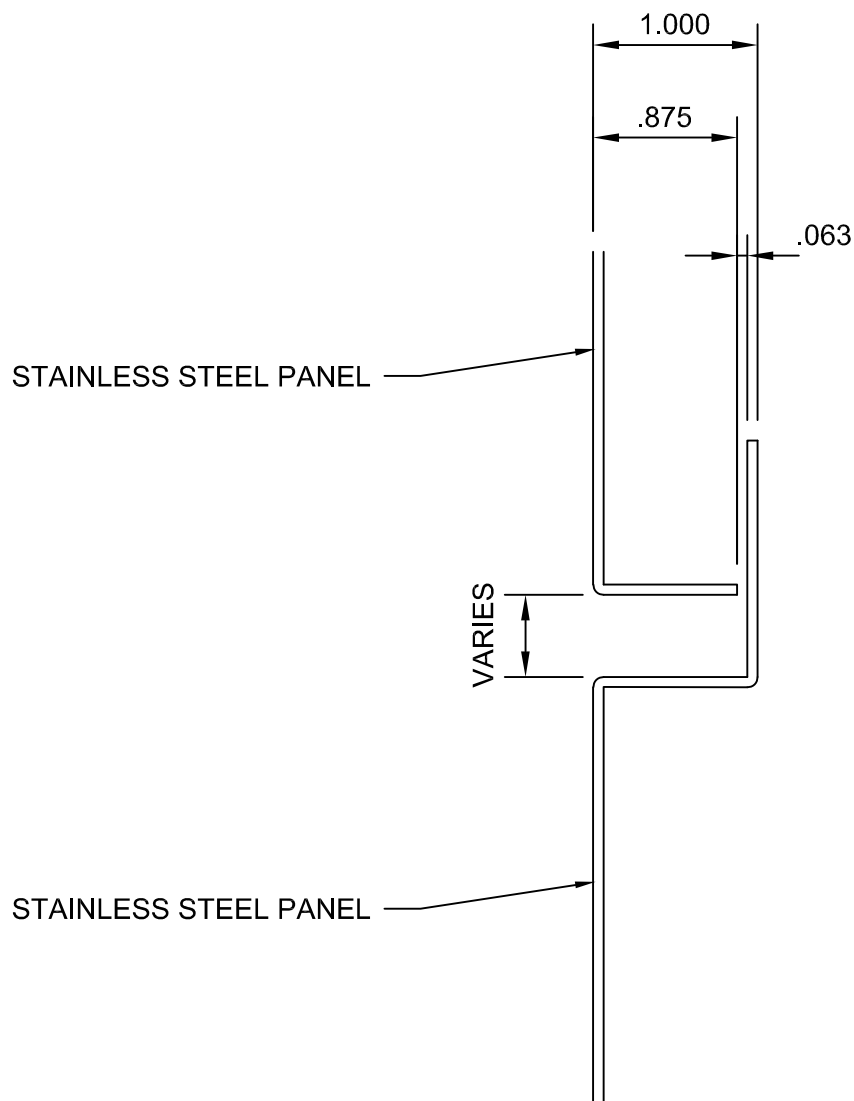
LOAD BEARING WALL COMPONENTS OF EITHER: 16GA STEEL STUDS, STRUCTURAL MEMBERS, MINIMUM 5/8" PLYWOOD OR CONCRETE. GYPSUM BOARD AND CEMENT BOARD ARE NOT A STRUCTURAL COMPONENT.



RECTANGULAR - INTERMEDIATE DETAIL (2) DETAIL V

NOTE:

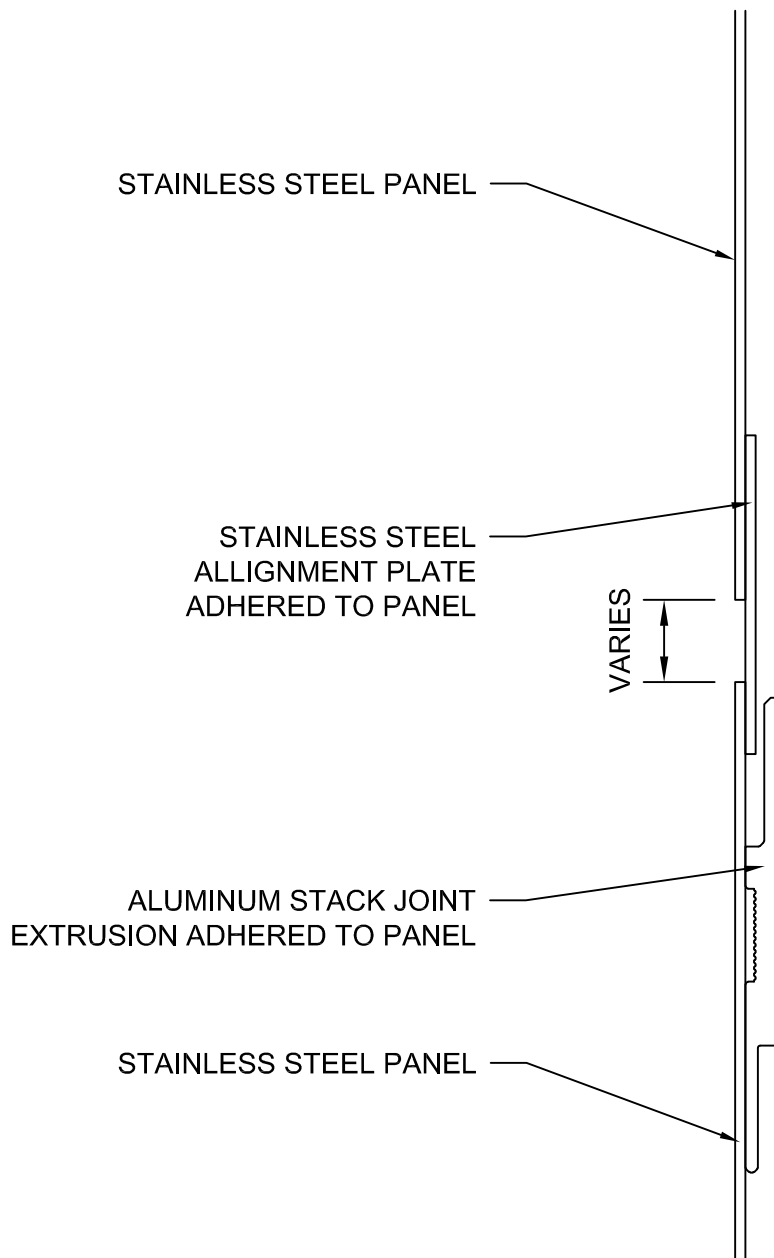
LOAD BEARING WALL COMPONENTS OF EITHER: 16GA STEEL STUDS, STRUCTURAL MEMBERS, MINIMUM 5/8" PLYWOOD OR CONCRETE. GYPSUM BOARD AND CEMENT BOARD ARE NOT A STRUCTURAL COMPONENT.



RECTANGULAR - INTERMEDIATE DETAIL (3) DETAIL W

NOTE:

LOAD BEARING WALL COMPONENTS OF EITHER: 16GA STEEL STUDS, STRUCTURAL MEMBERS, MINIMUM 5/8" PLYWOOD OR CONCRETE. GYPSUM BOARD AND CEMENT BOARD ARE NOT A STRUCTURAL COMPONENT.



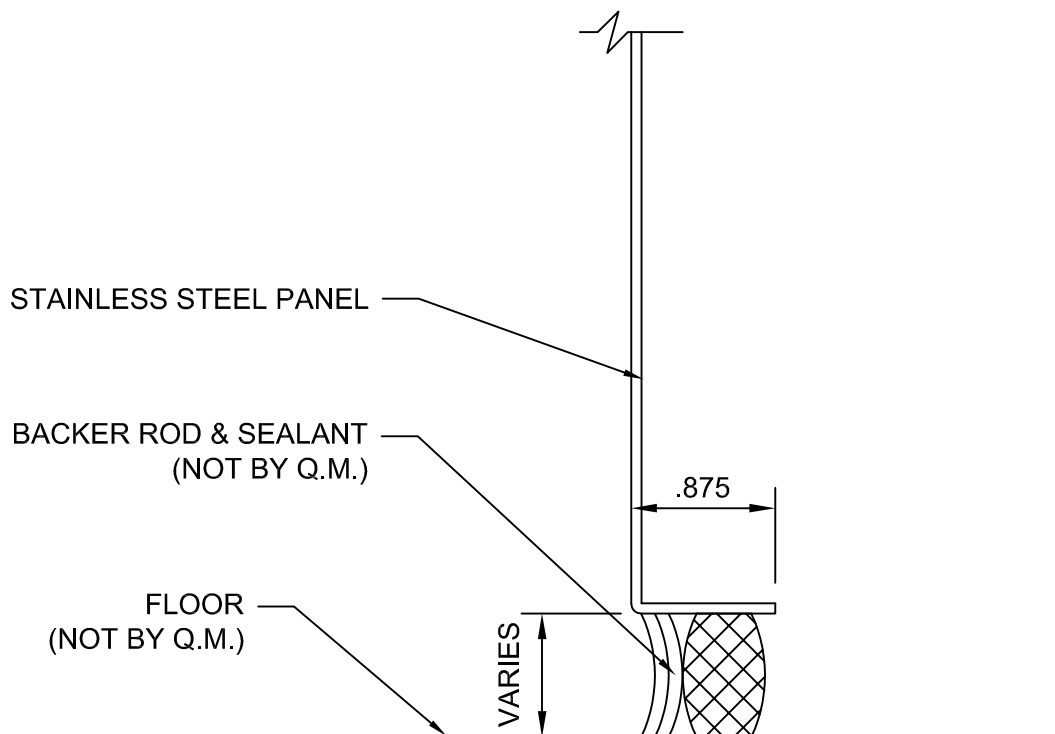
COPYRIGHT AMERICLAD, LLC

21925 Industrial Boulevard · Rogers, Minnesota · Toll-Free: 1-866-260-4047 · americlad.com

Architectural Metal Products

RECTANGULAR - BASE DETAIL (1)**DETAIL X****NOTE:**

LOAD BEARING WALL COMPONENTS OF EITHER: 16GA STEEL STUDS, STRUCTURAL MEMBERS, MINIMUM 5/8" PLYWOOD OR CONCRETE. GYPSUM BOARD AND CEMENT BOARD ARE NOT A STRUCTURAL COMPONENT.



BACKER ROD & SEALANT (OPTIONAL)

COPYRIGHT AMERICLAD, LLC

21925 Industrial Boulevard · Rogers, Minnesota · Toll-Free: 1-866-260-4047 · americlad.com

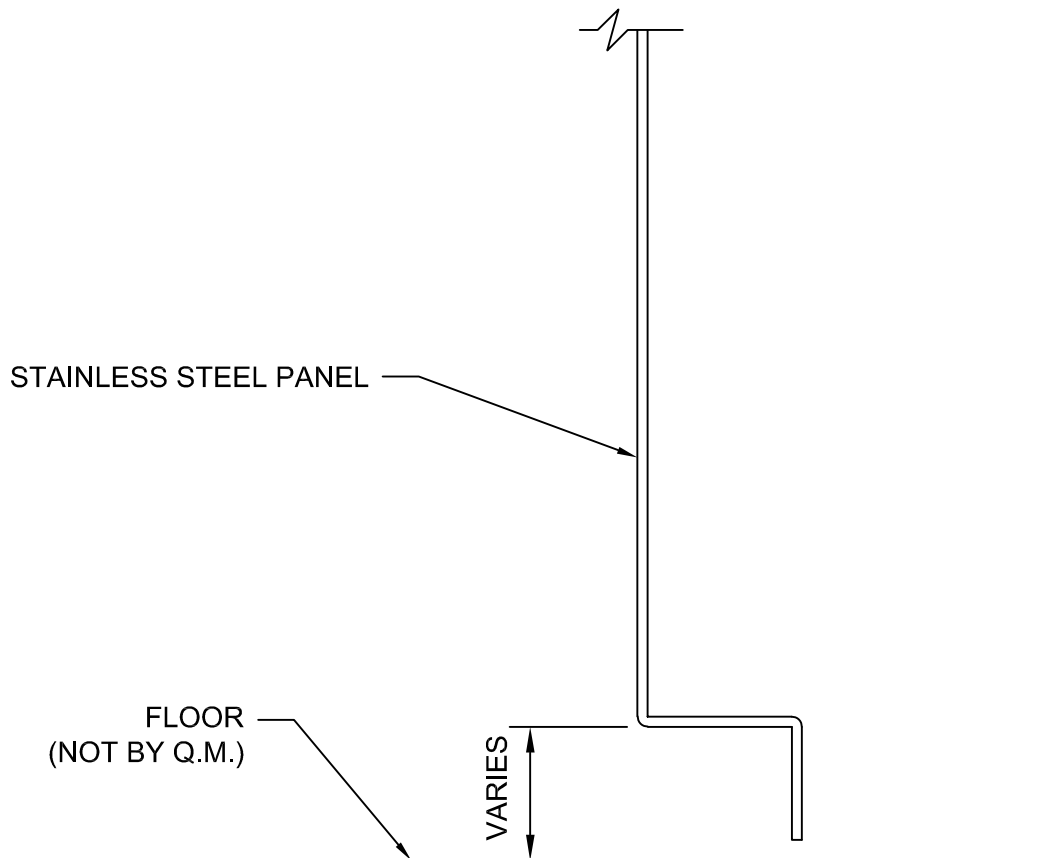
Architectural Metal Products

RECTANGULAR - BASE DETAIL (2)

DETAIL Y

NOTE:

LOAD BEARING WALL COMPONENTS OF EITHER: 16GA STEEL STUDS, STRUCTURAL MEMBERS, MINIMUM 5/8" PLYWOOD OR CONCRETE. GYPSUM BOARD AND CEMENT BOARD ARE NOT A STRUCTURAL COMPONENT.

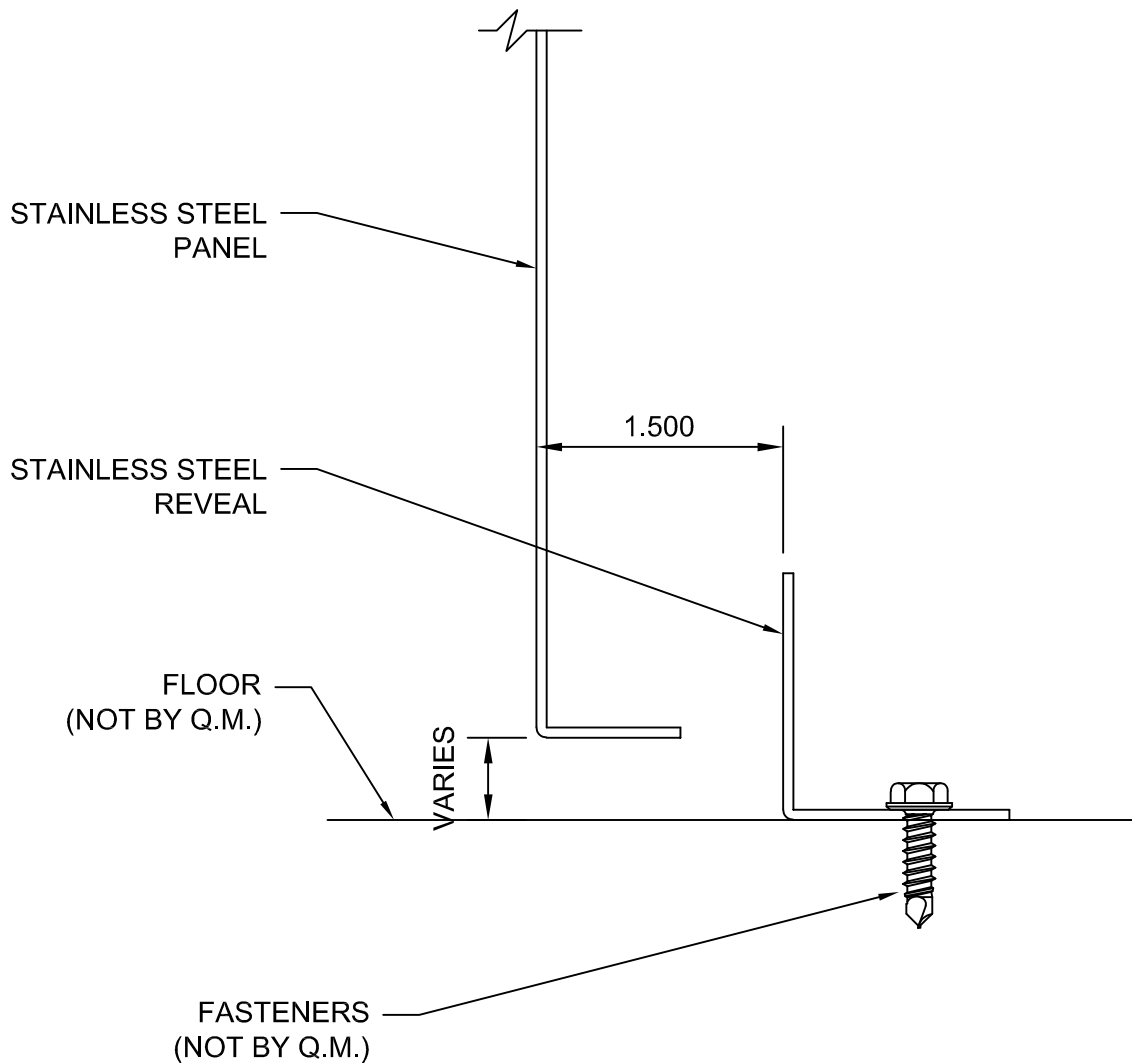


RECTANGULAR - BASE DETAIL (3)

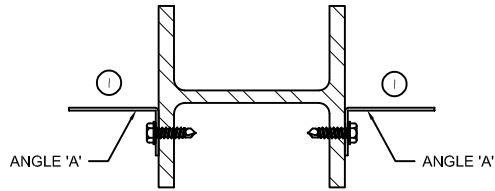
DETAIL Z

NOTE:

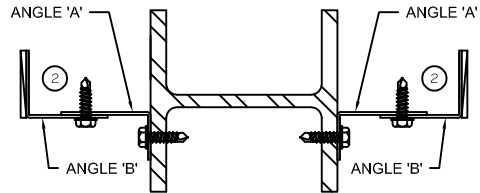
LOAD BEARING WALL COMPONENTS OF EITHER: 16GA STEEL STUDS, STRUCTURAL MEMBERS, MINIMUM 5/8" PLYWOOD OR CONCRETE. GYPSUM BOARD AND CEMENT BOARD ARE NOT A STRUCTURAL COMPONENT.



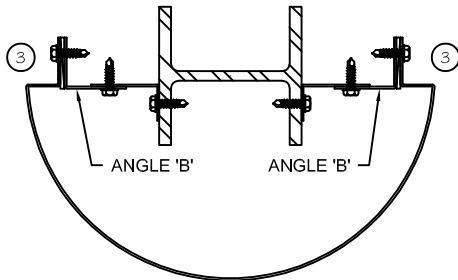
STAINLESS STEEL COLUMN COVER (REVEAL JOINT) DETAIL AA INSTALLATION GUIDE



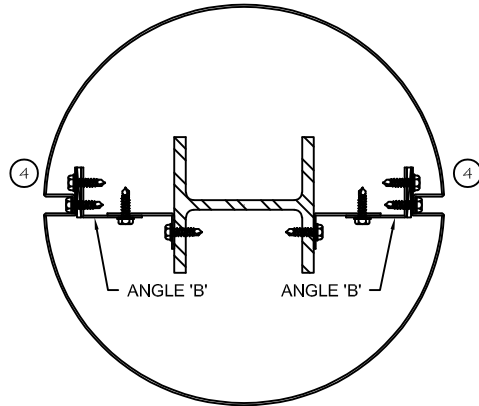
① FASTEN FRAMING ANGLE 'A' TO EACH SIDE OF STRUCTURAL COLUMN



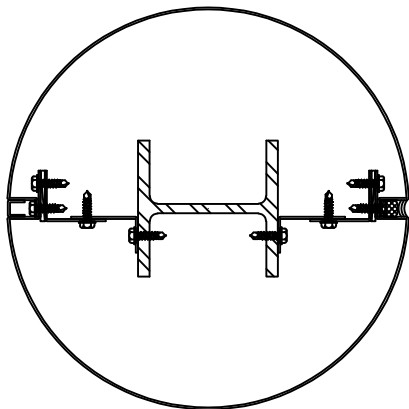
② FASTEN FRAMING ANGLE 'B' PLUMB TO EACH ANGLE 'A' (SHIM AS REQUIRED)



③ FASTEN FIRST COLUMN COVER PANEL (LONGER RETURNS) TO EACH ANGLE 'B'



④ FASTEN SECOND COLUMN COVER PANEL (SHORT RETURNS) TO EACH ANGLE 'B'



⑤ WET SEAL JOINTS OR PLACE FINISH CHANNEL INTO JOINTS