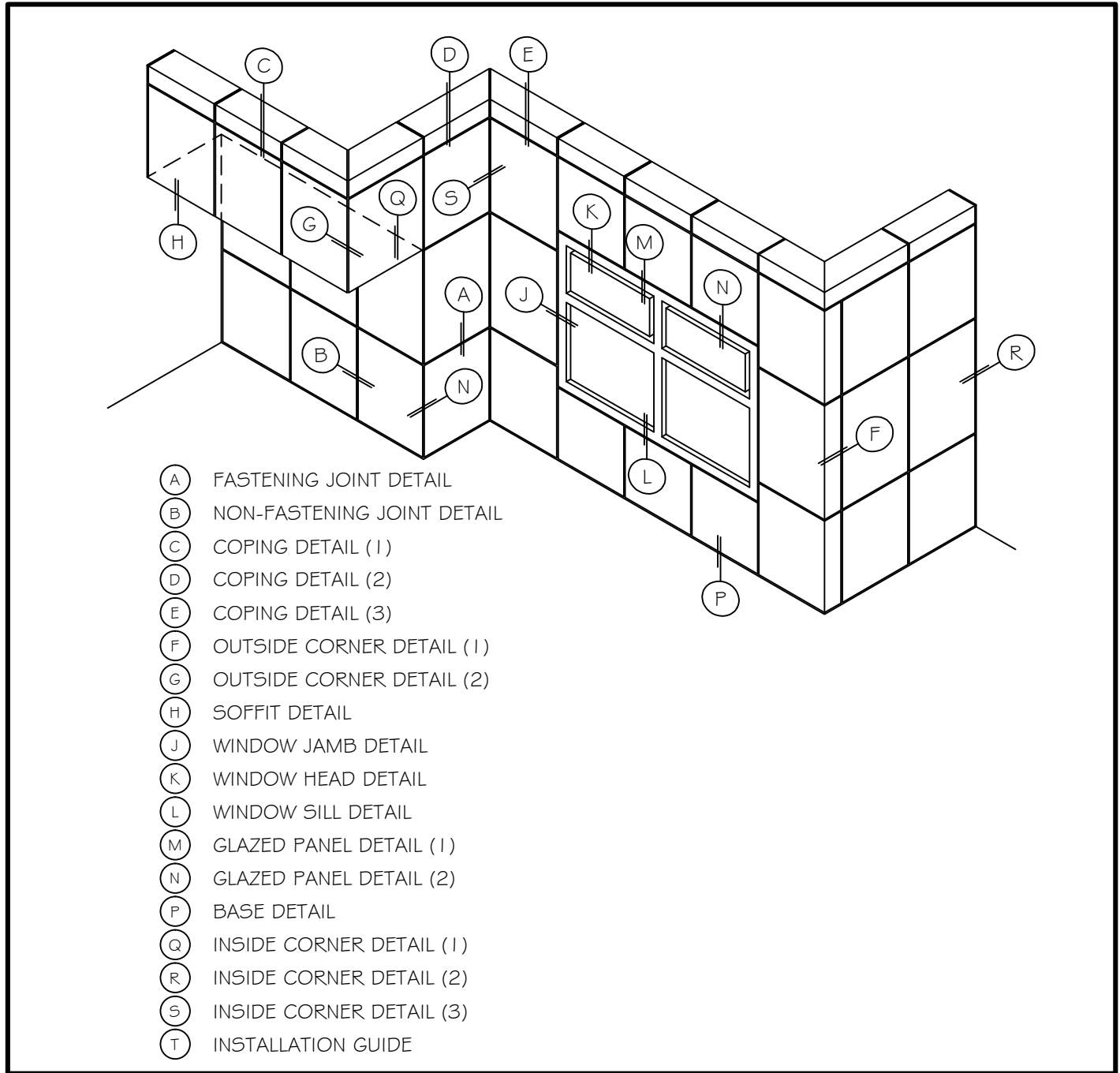
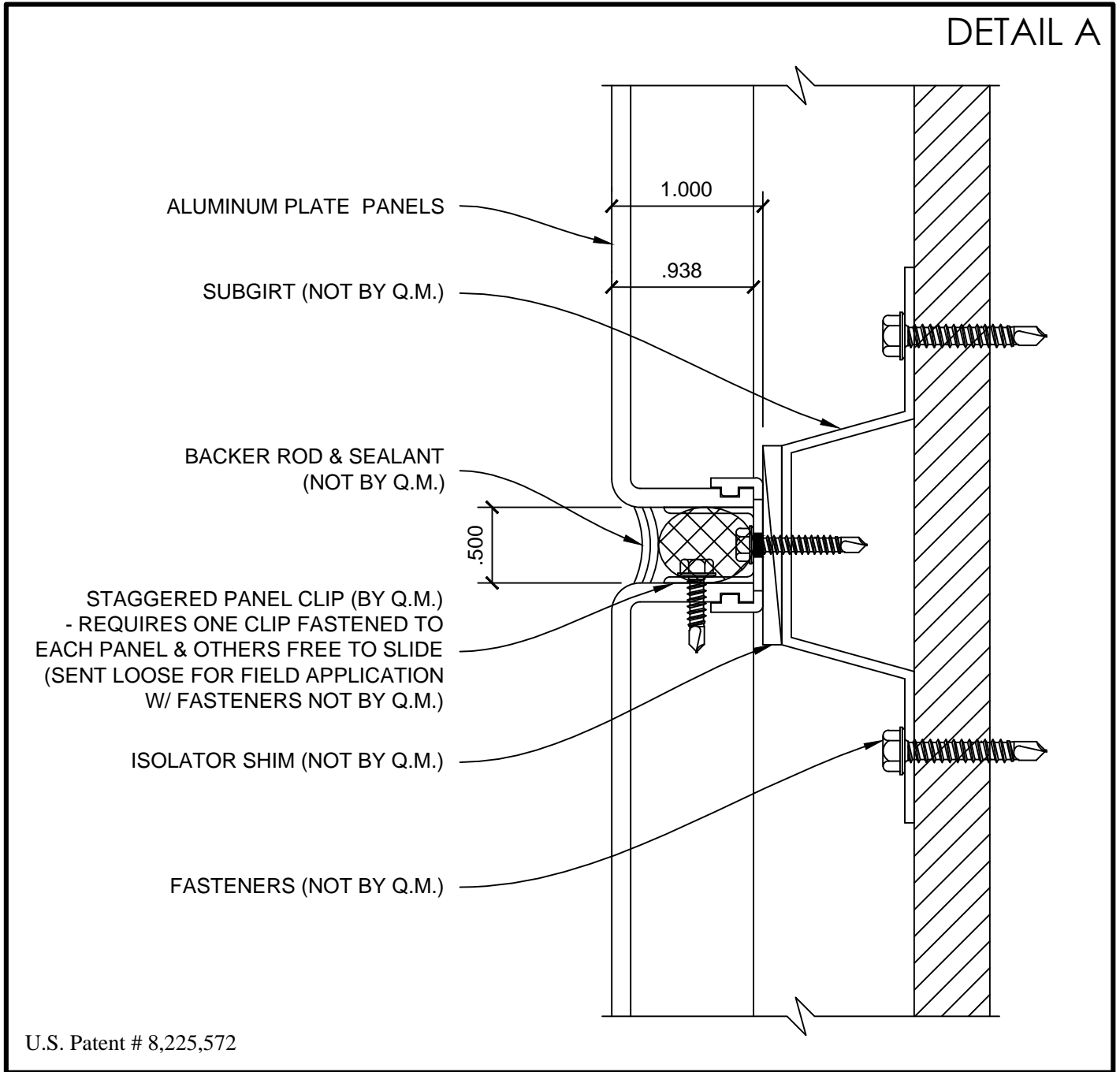


SLIDING CLIP (WET JOINT)



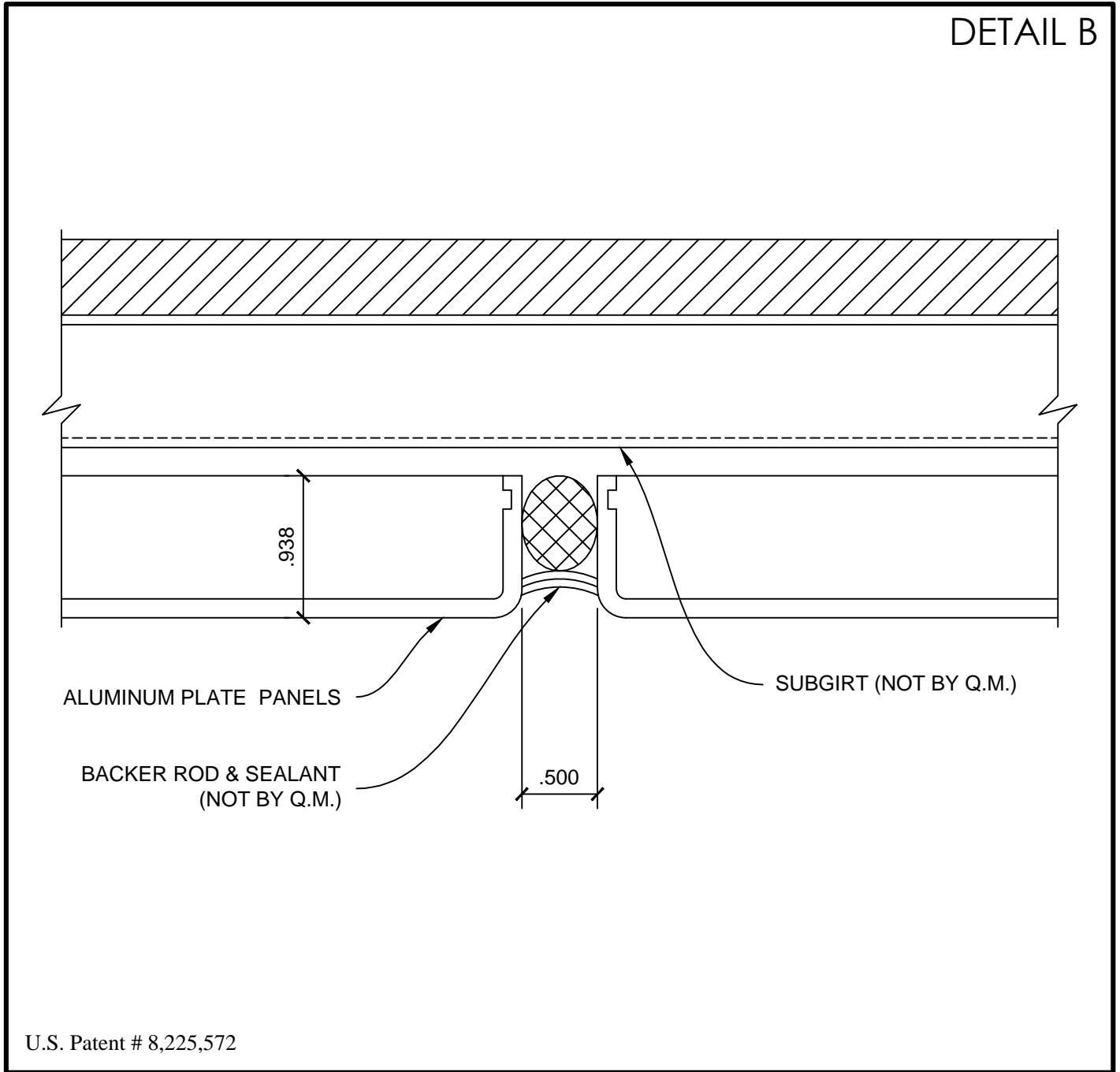
FASTENING JOINT DETAIL



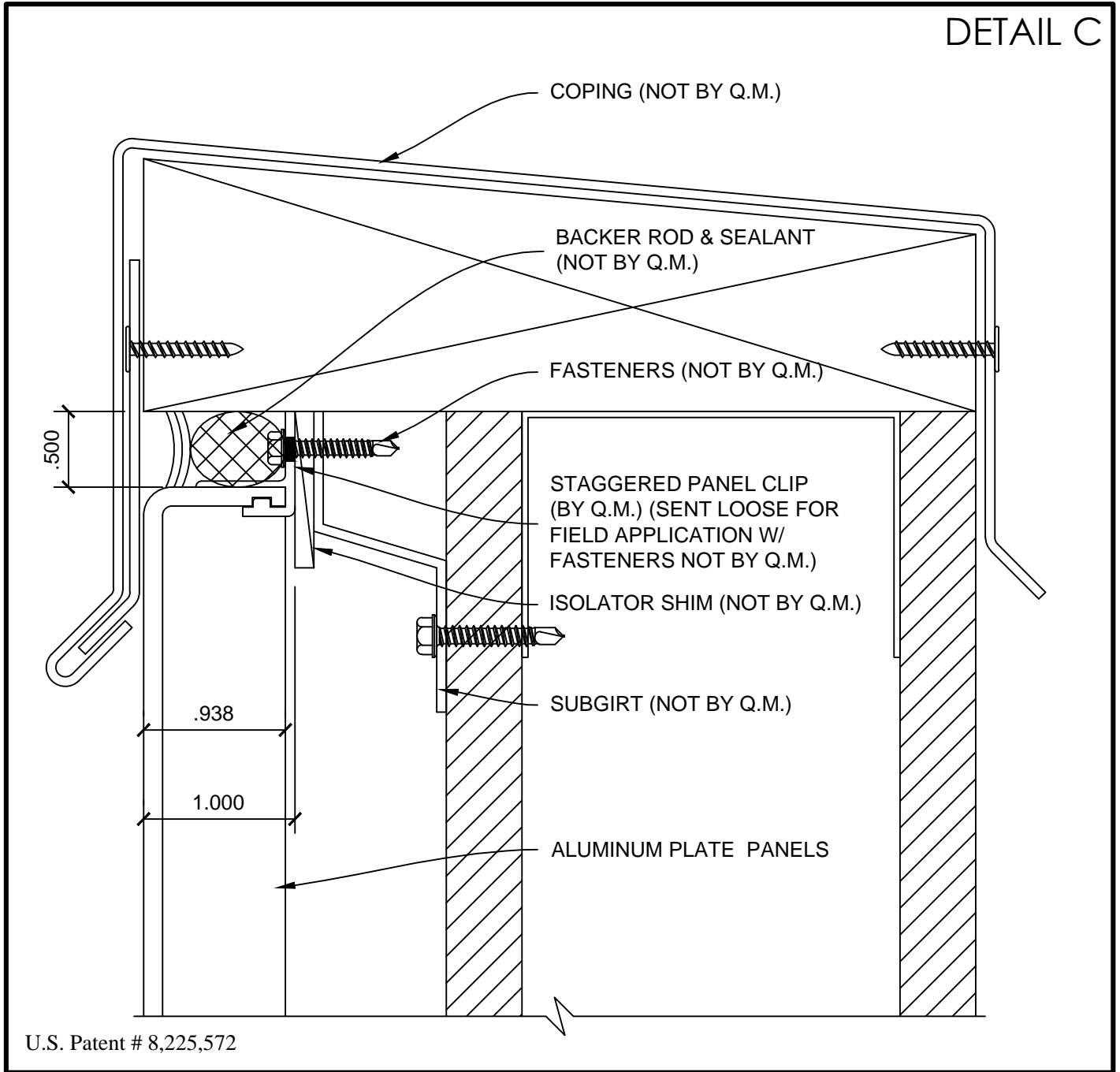


AC-3300

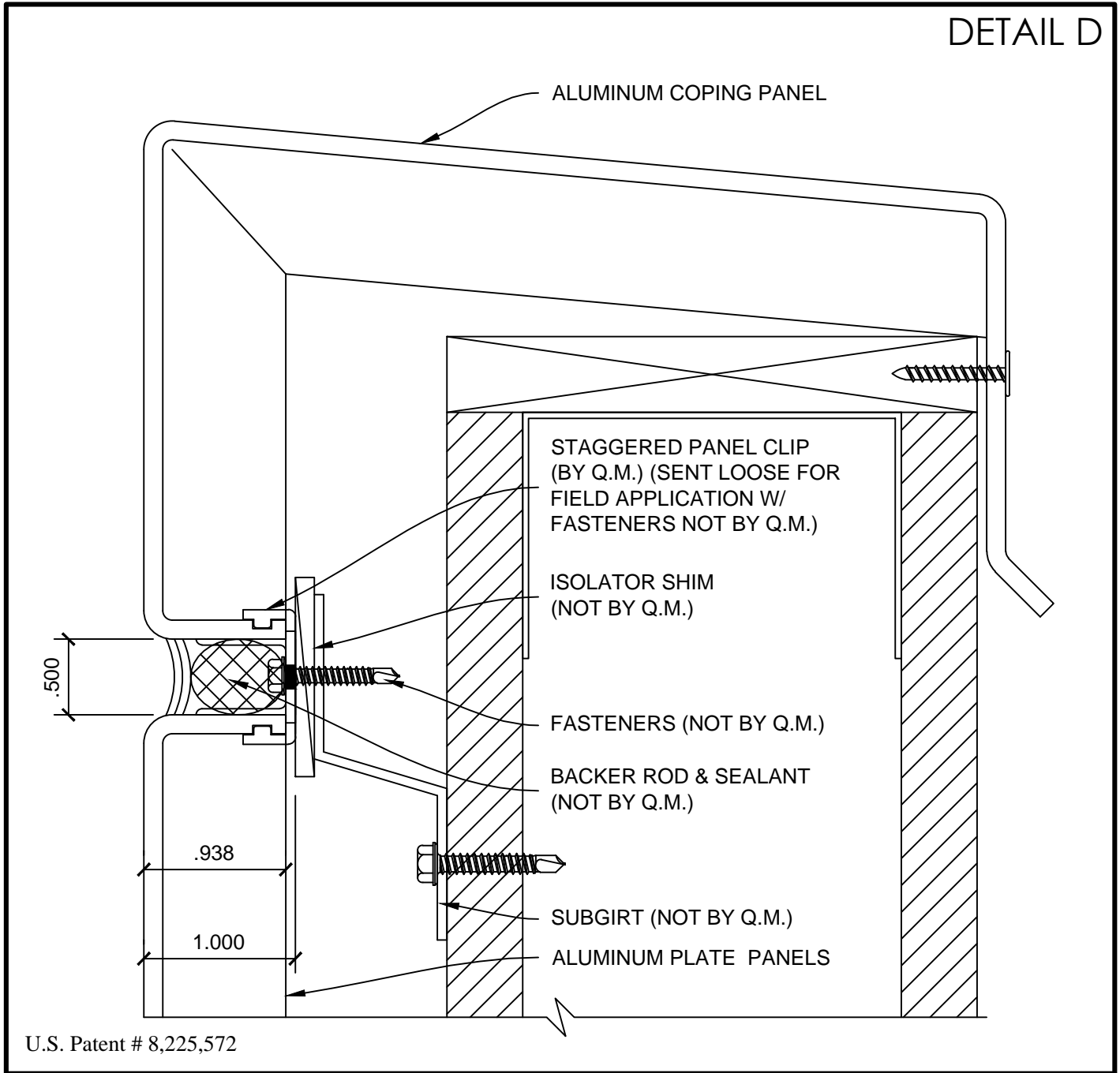
## NON-FASTENING JOINT DETAIL



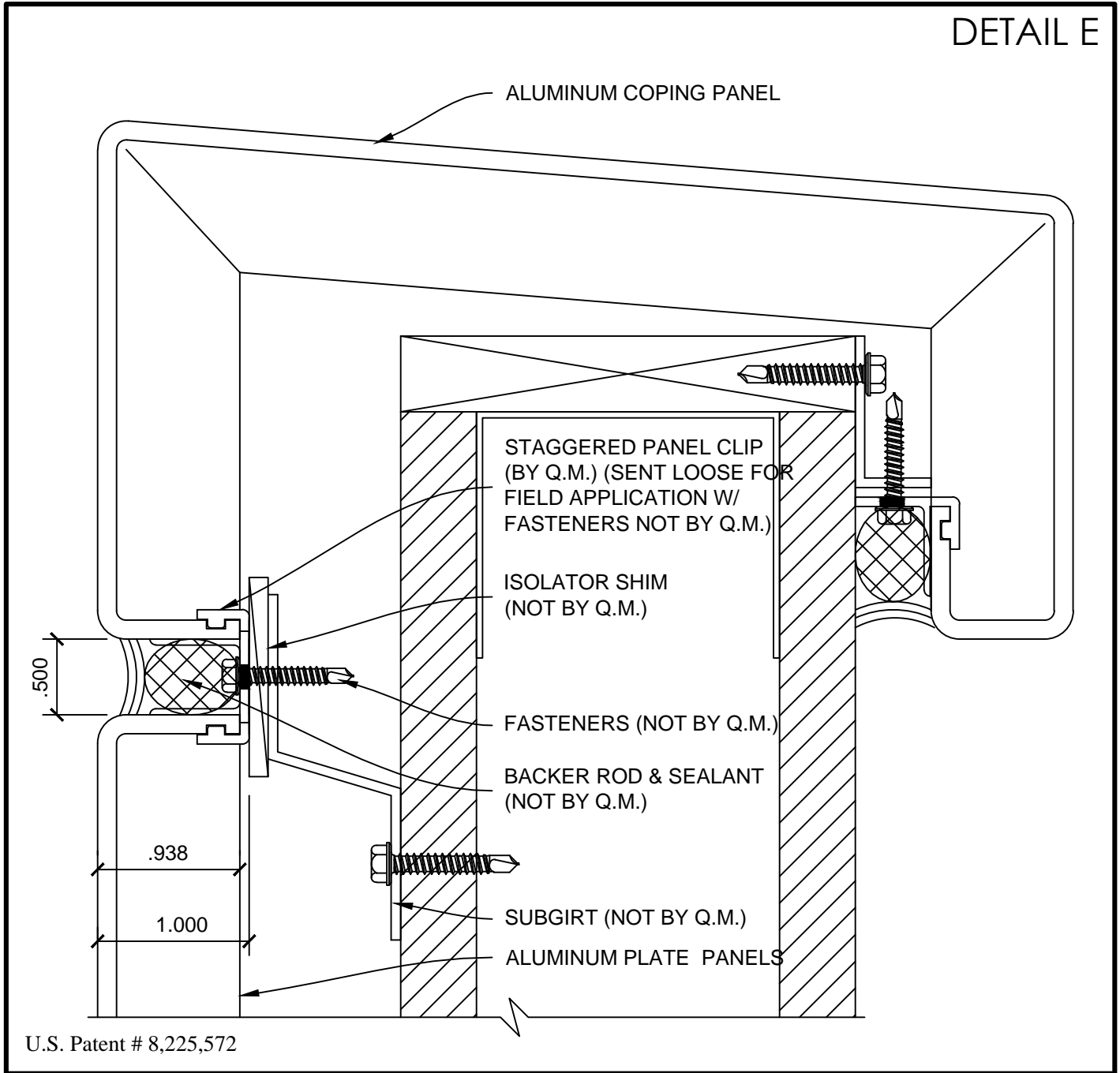
COPING DETAIL (1)



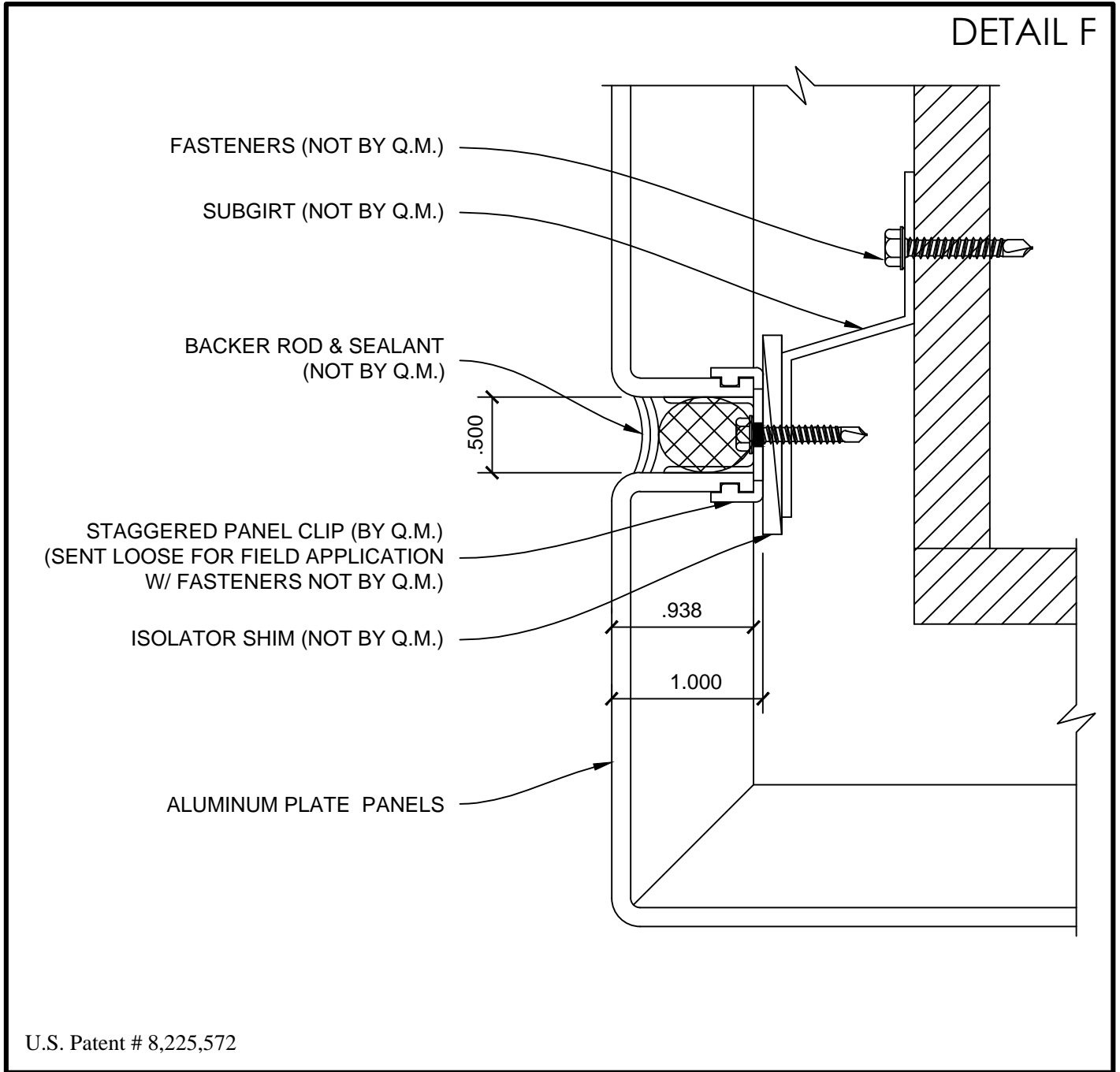
COPING DETAIL (2)



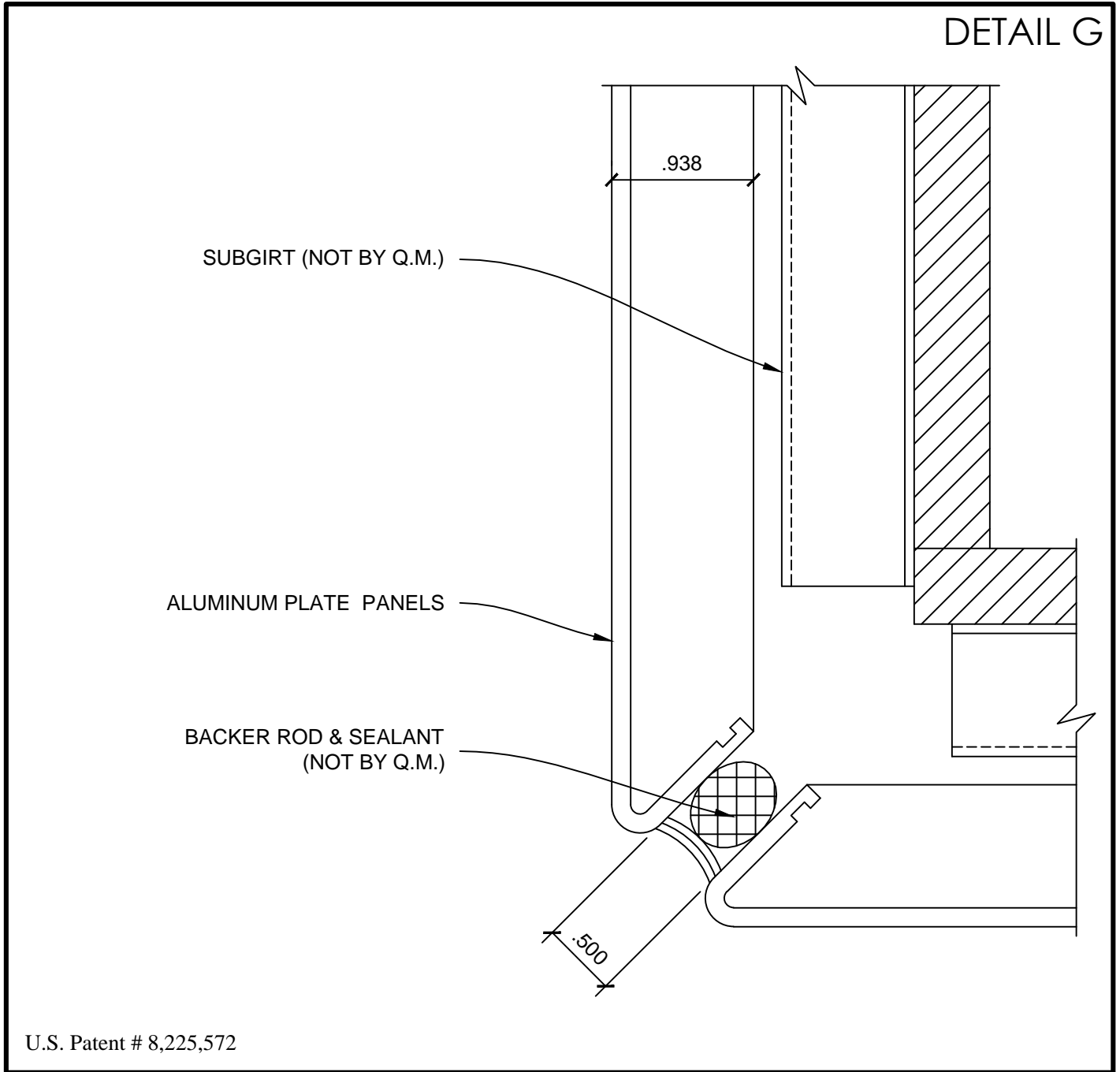
COPING DETAIL (3)



OUTSIDE CORNER DETAIL (1)



OUTSIDE CORNER DETAIL (2)

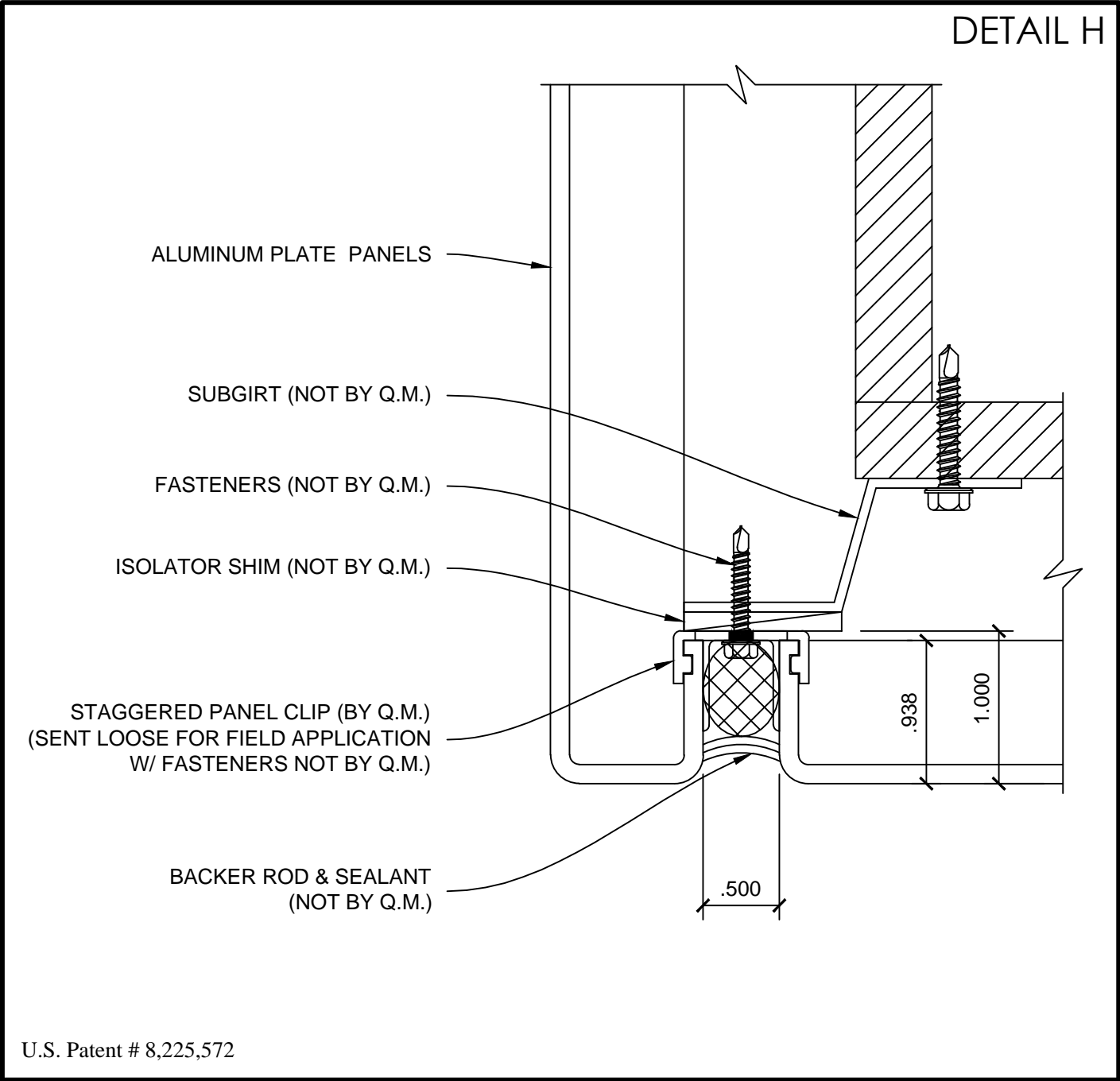




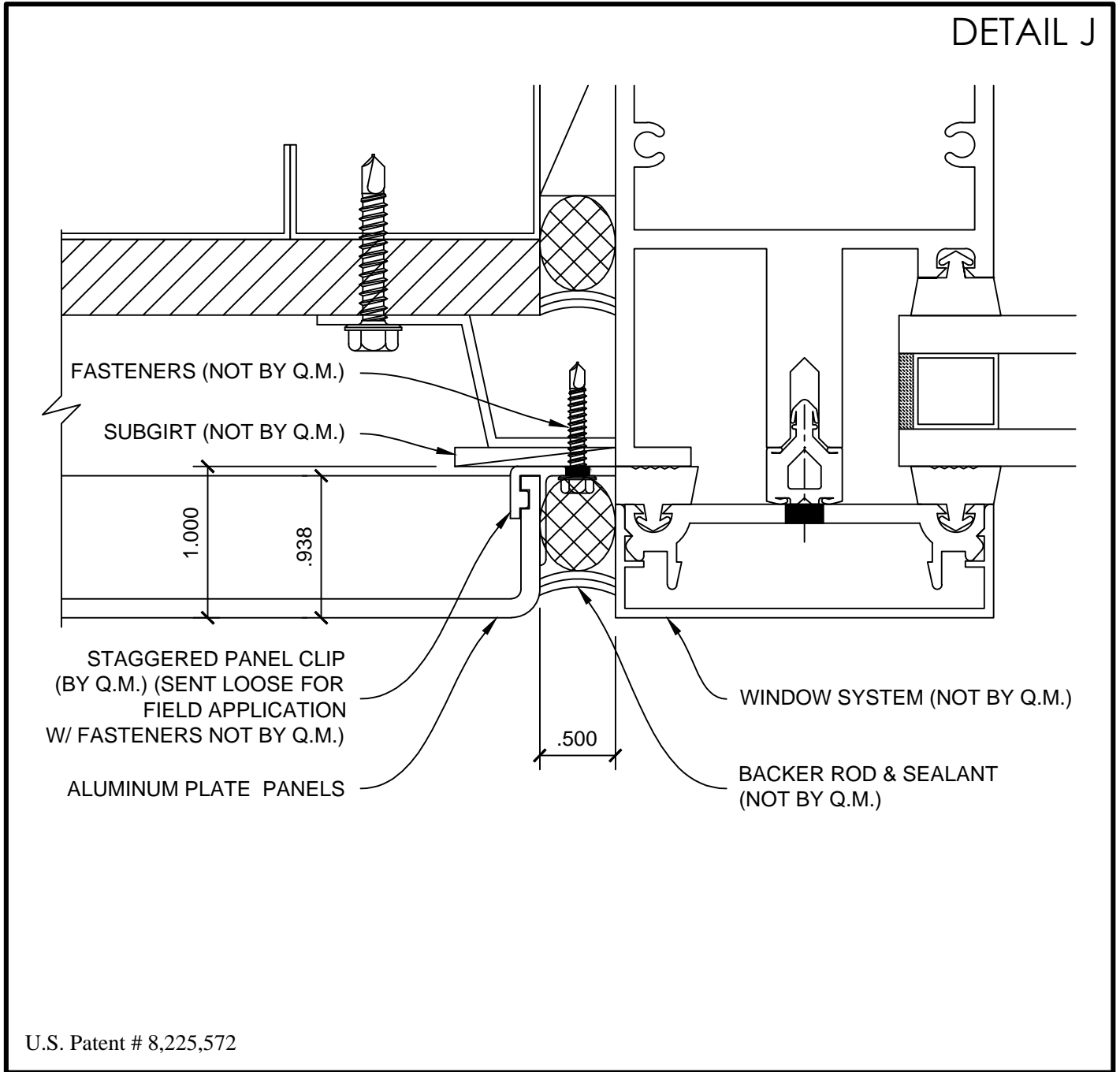


AC-3300

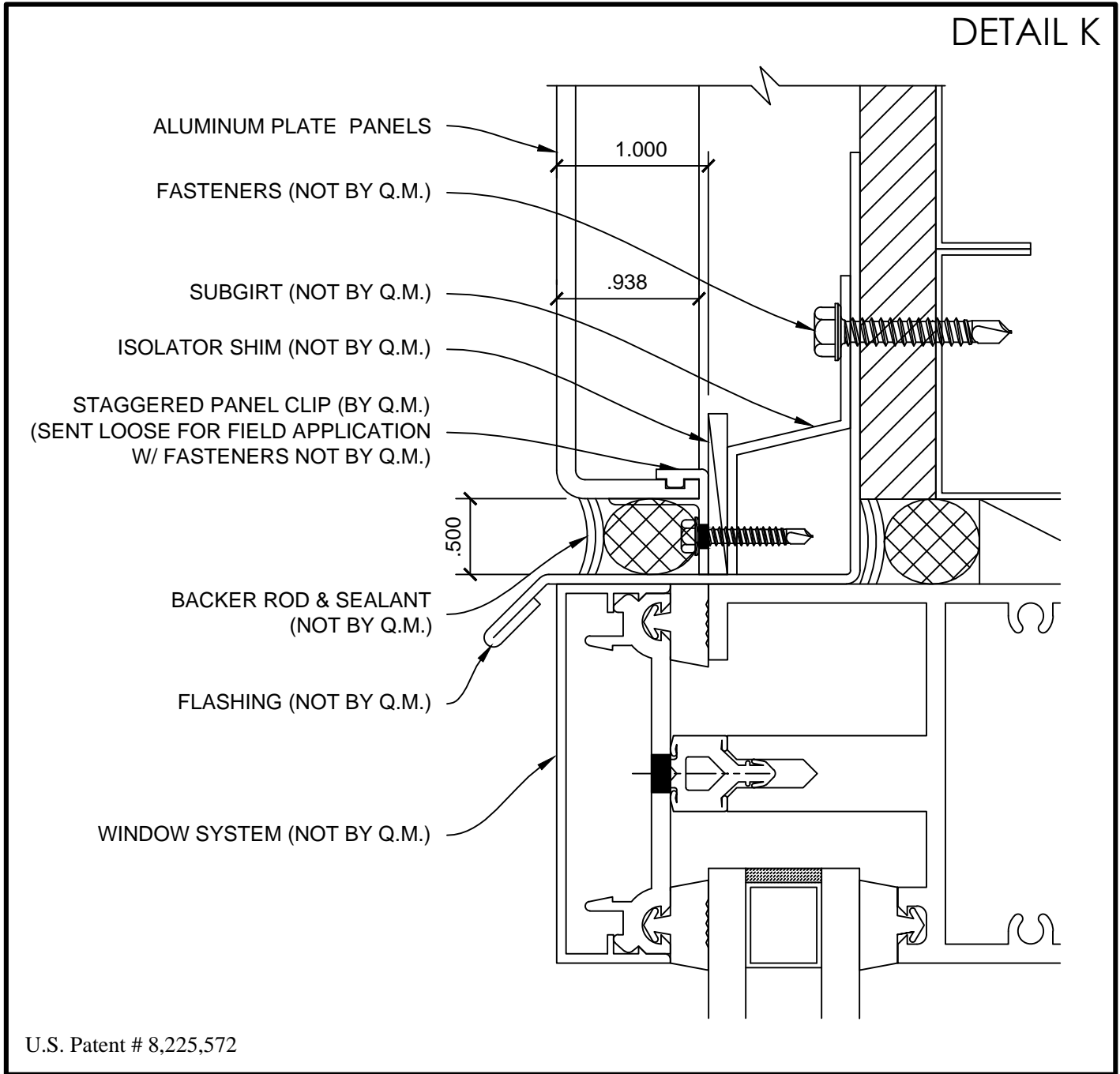
SOFFIT DETAIL



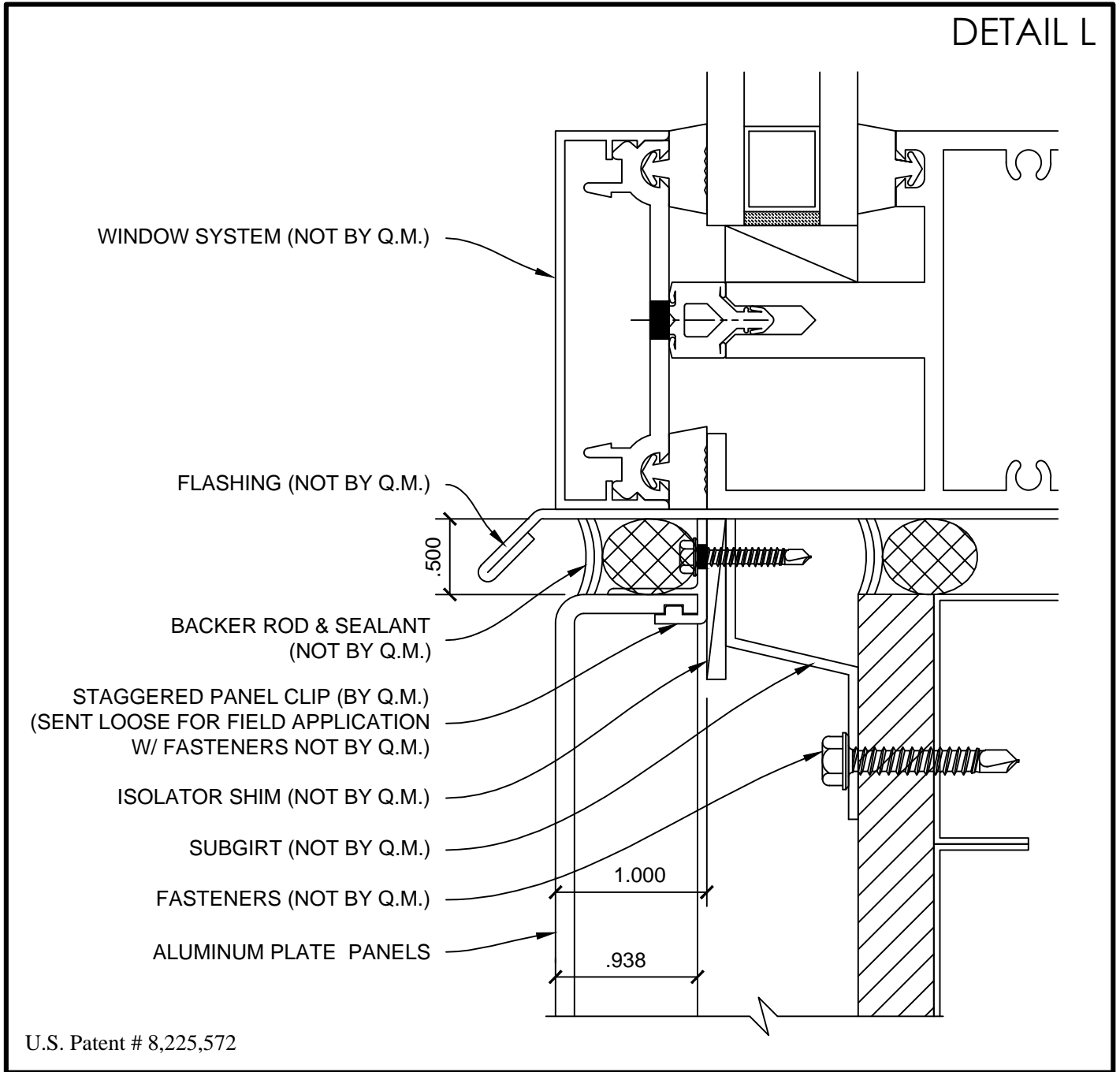
WINDOW JAMB DETAIL



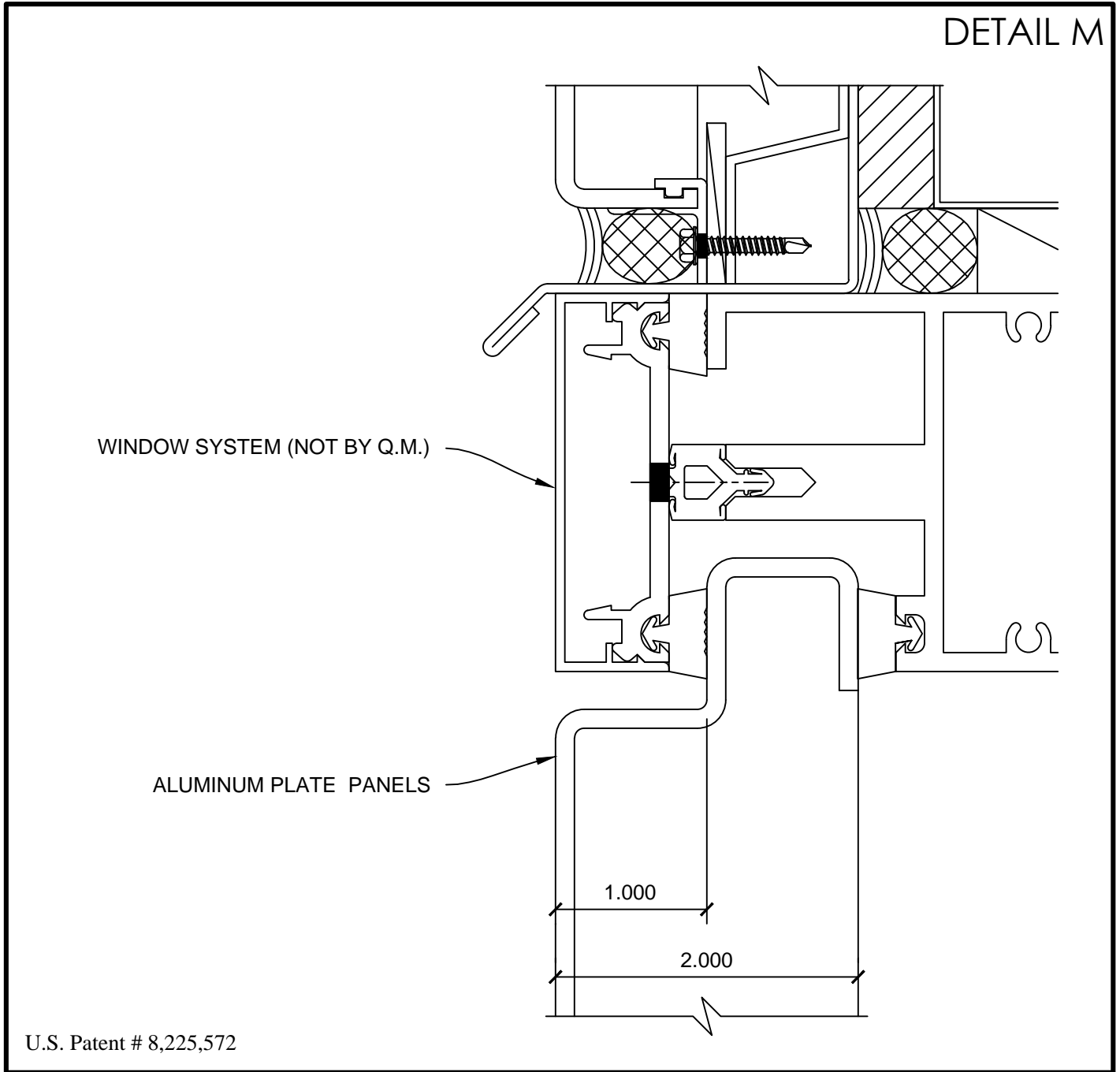
WINDOW HEAD DETAIL



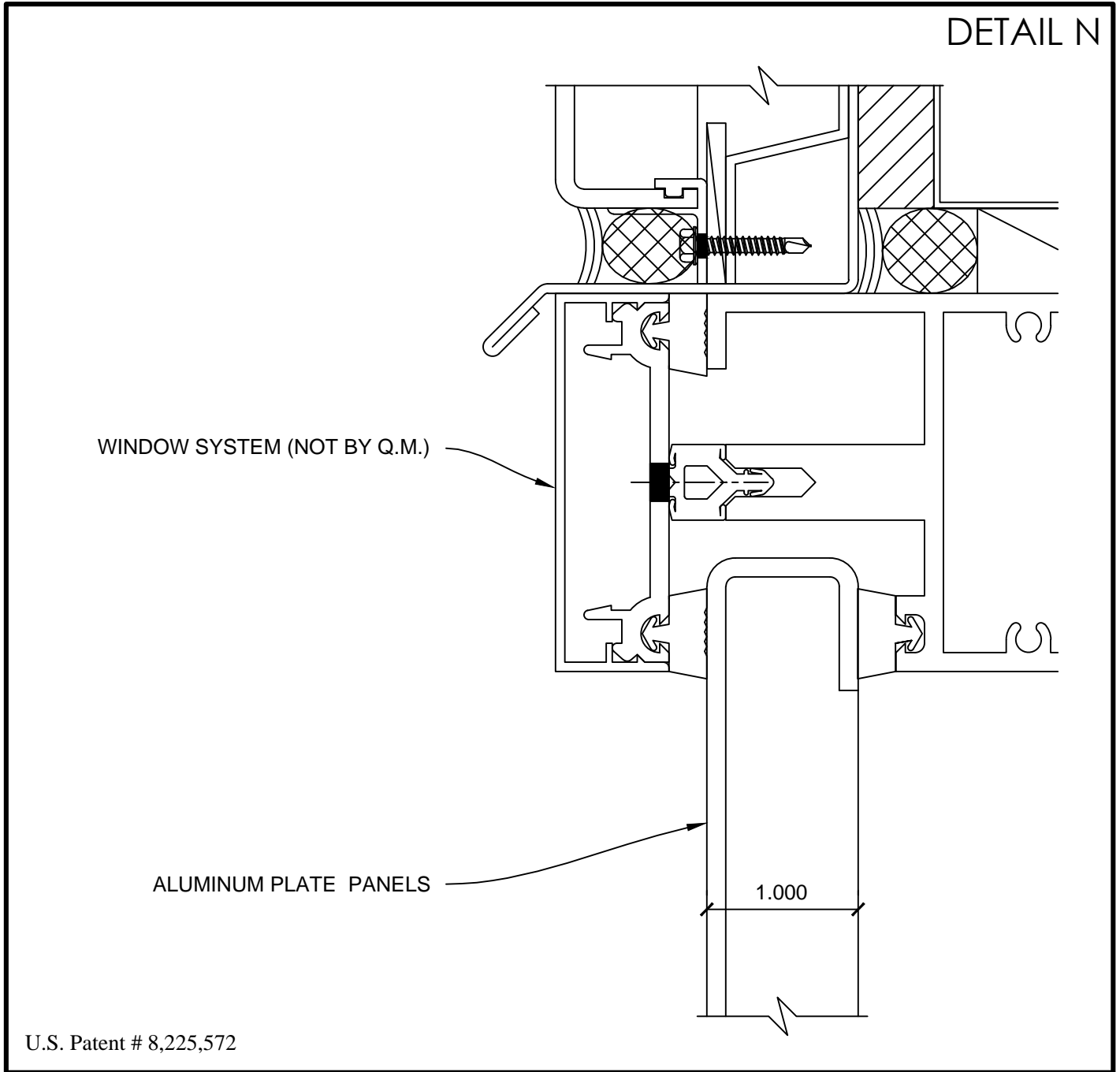
WINDOW SILL DETAIL



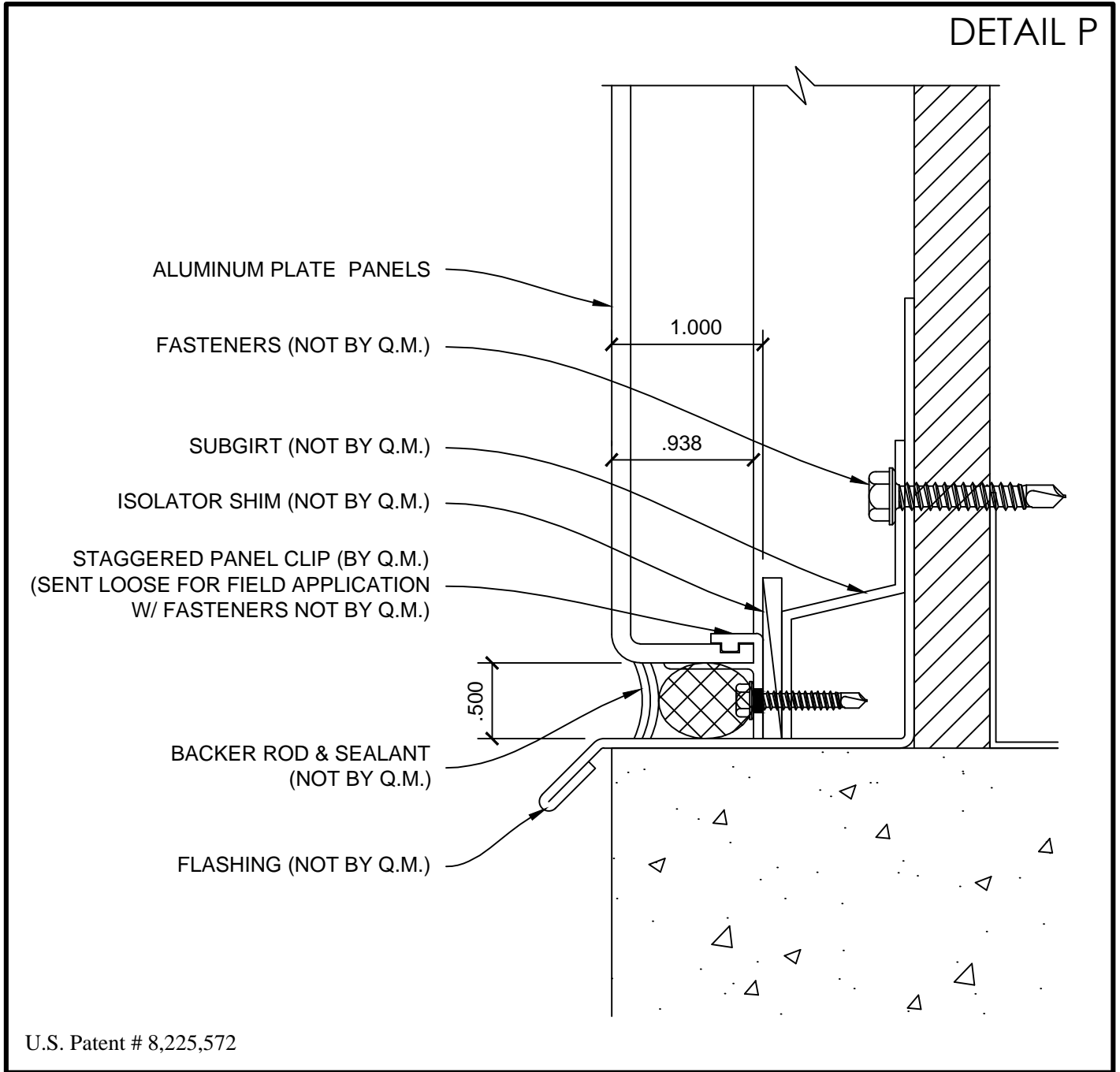
GLAZED PANEL DETAIL (1)



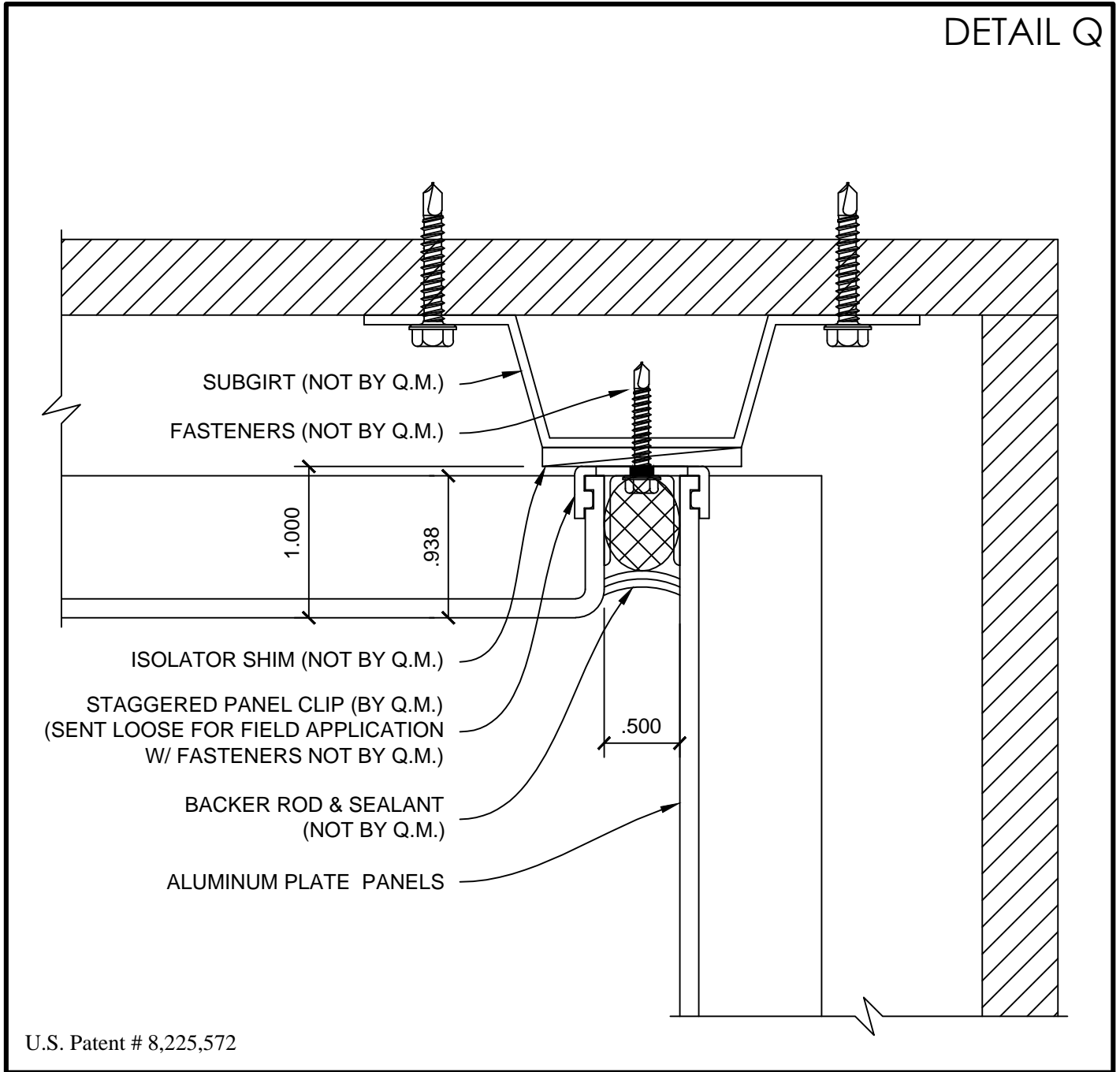
GLAZED PANEL DETAIL (2)



BASE DETAIL



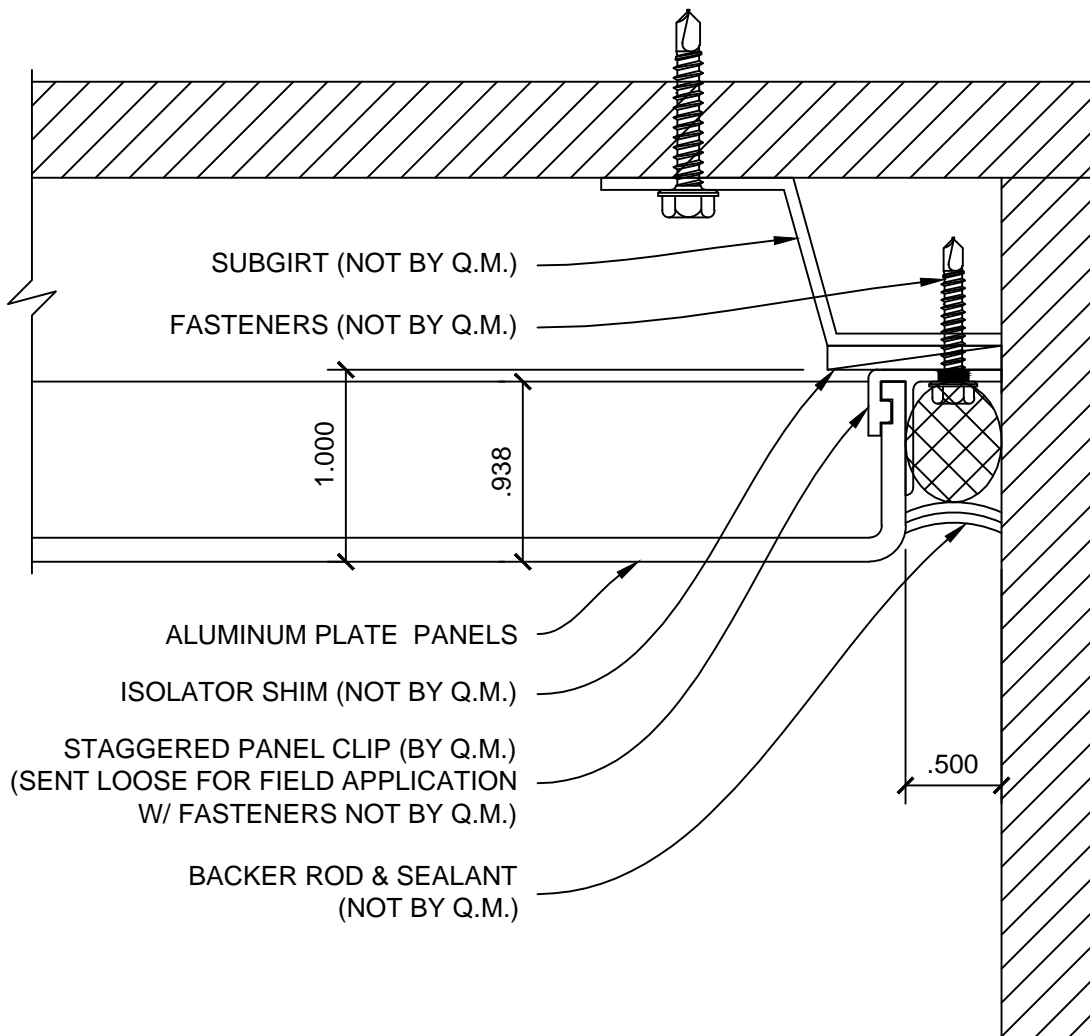
INSIDE CORNER DETAIL (1)





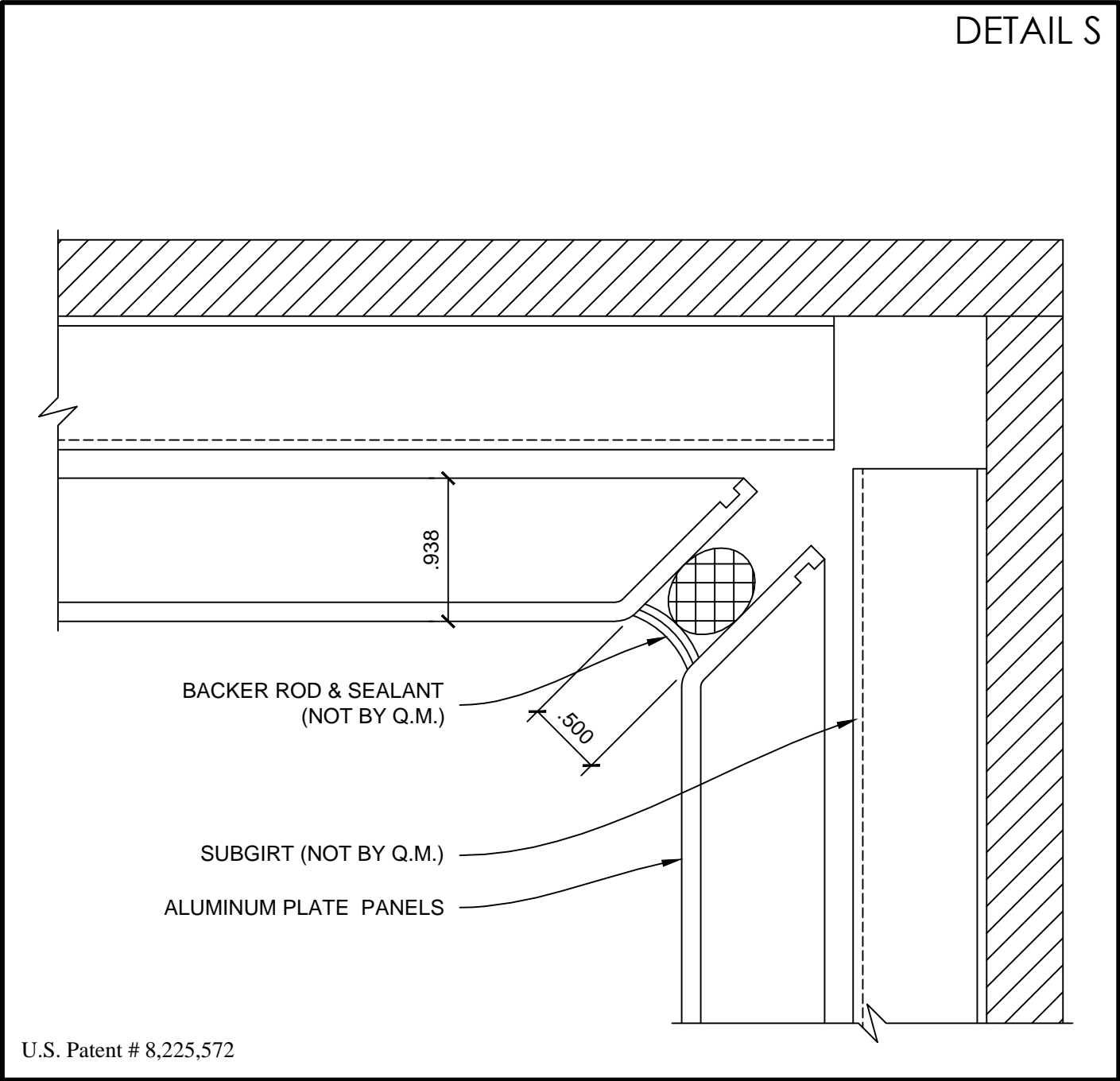
INSIDE CORNER DETAIL (2)

DETAIL R



U.S. Patent # 8,225,572

INSIDE CORNER DETAIL (3)



SLIDING CLIP (WET JOINT)  
INSTALLATION GUIDE

