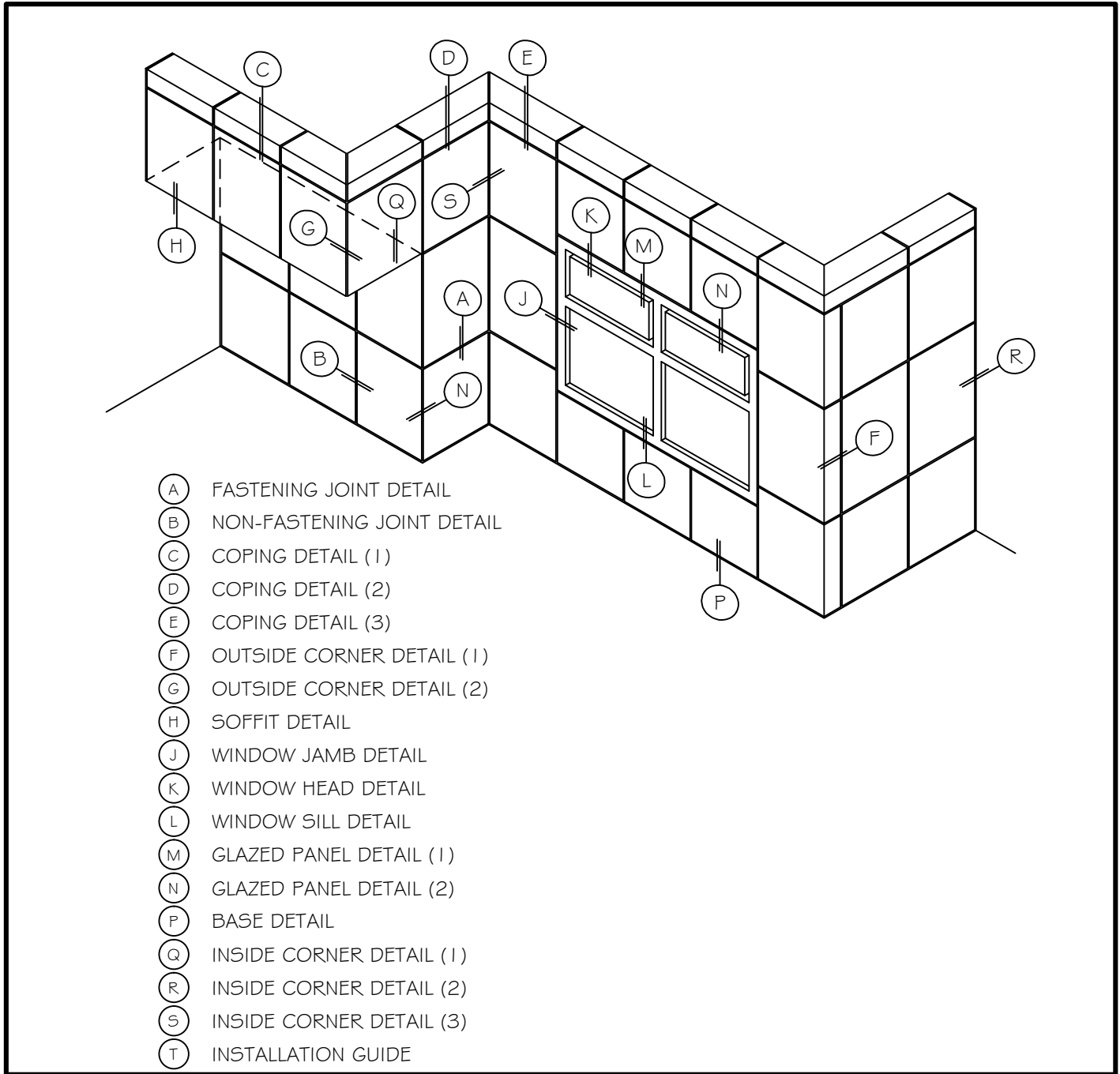
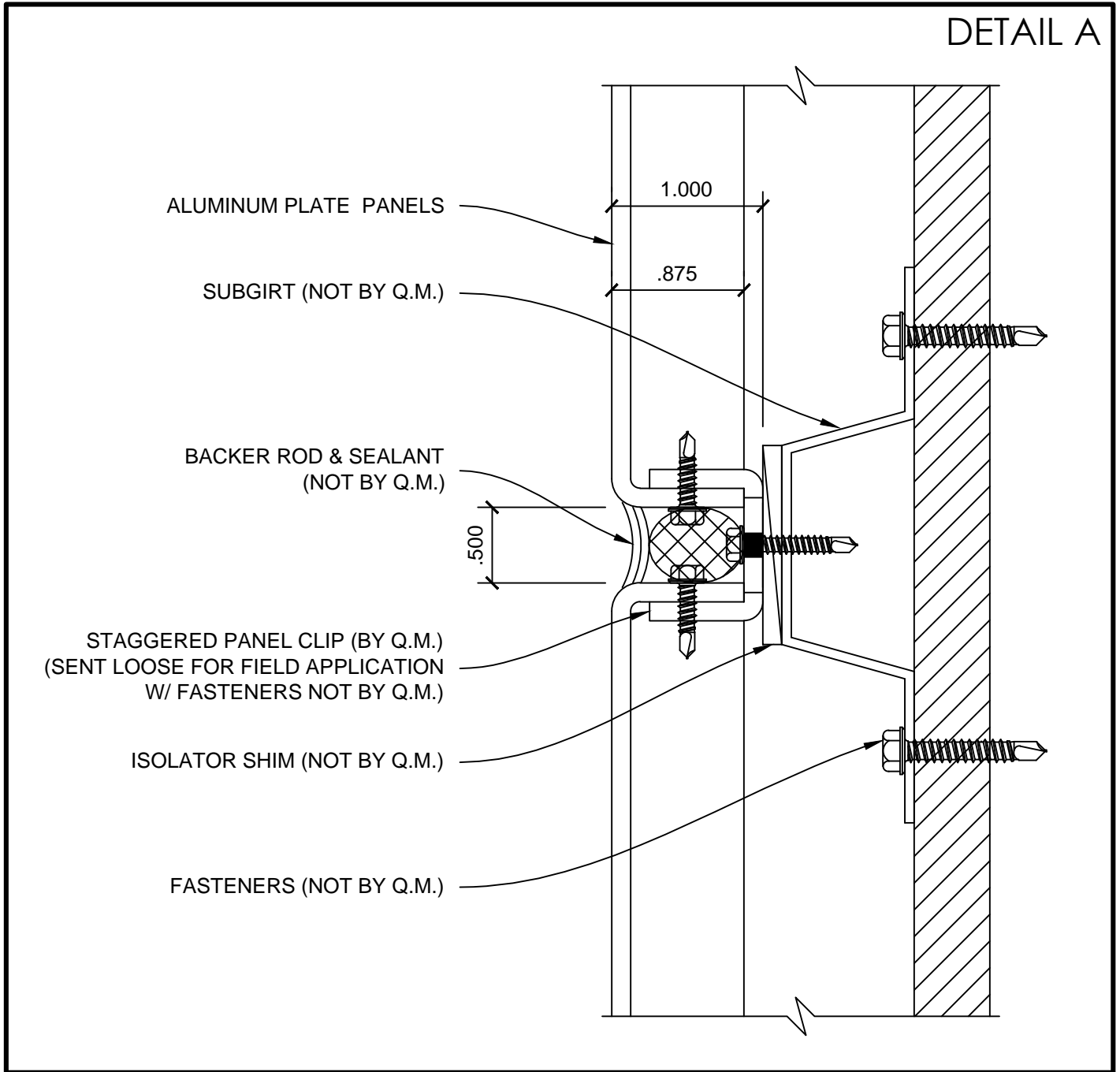


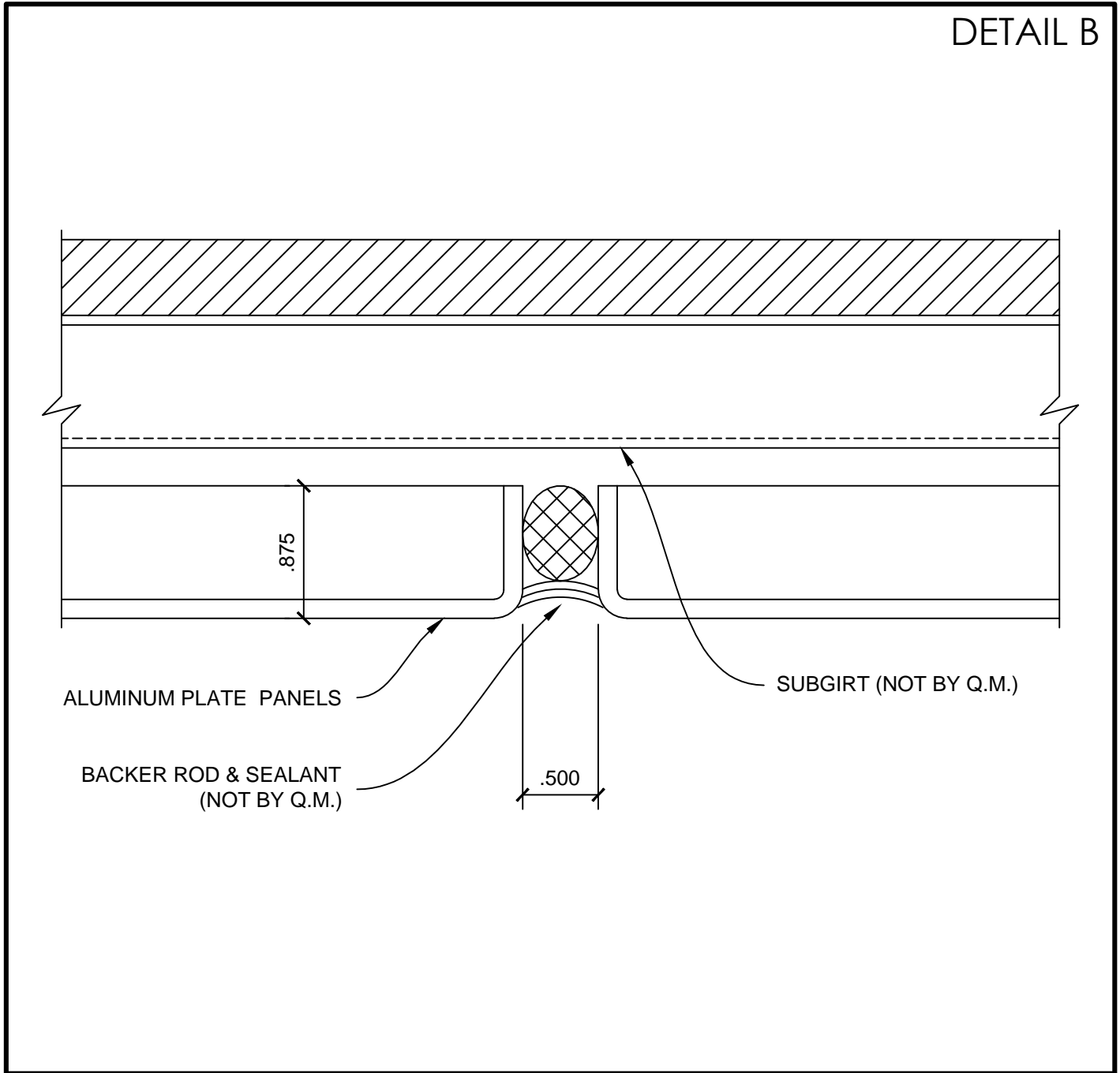
ALUMINUM PLATE SYSTEM (WET JOINT)



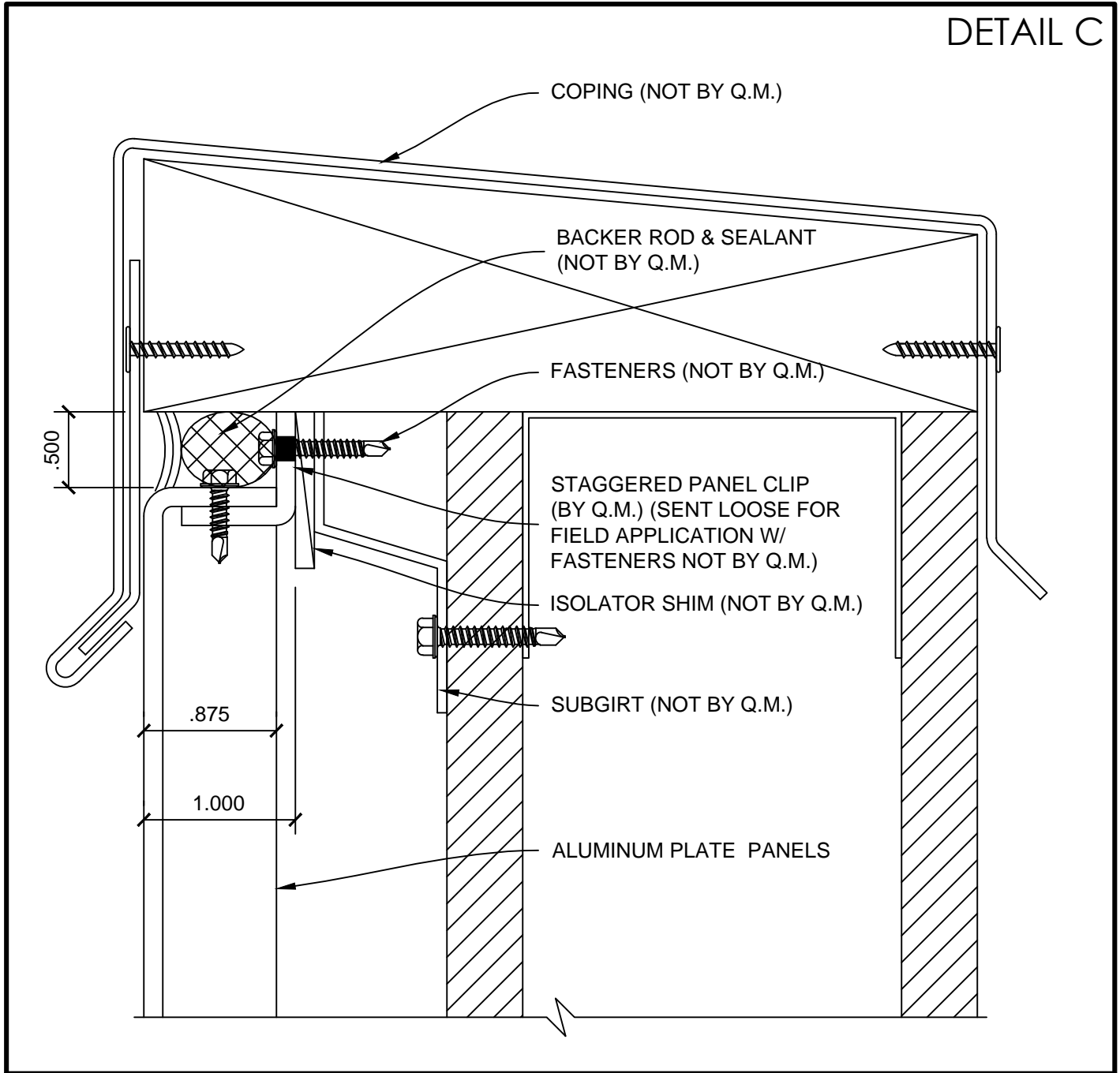
FASTENING JOINT DETAIL



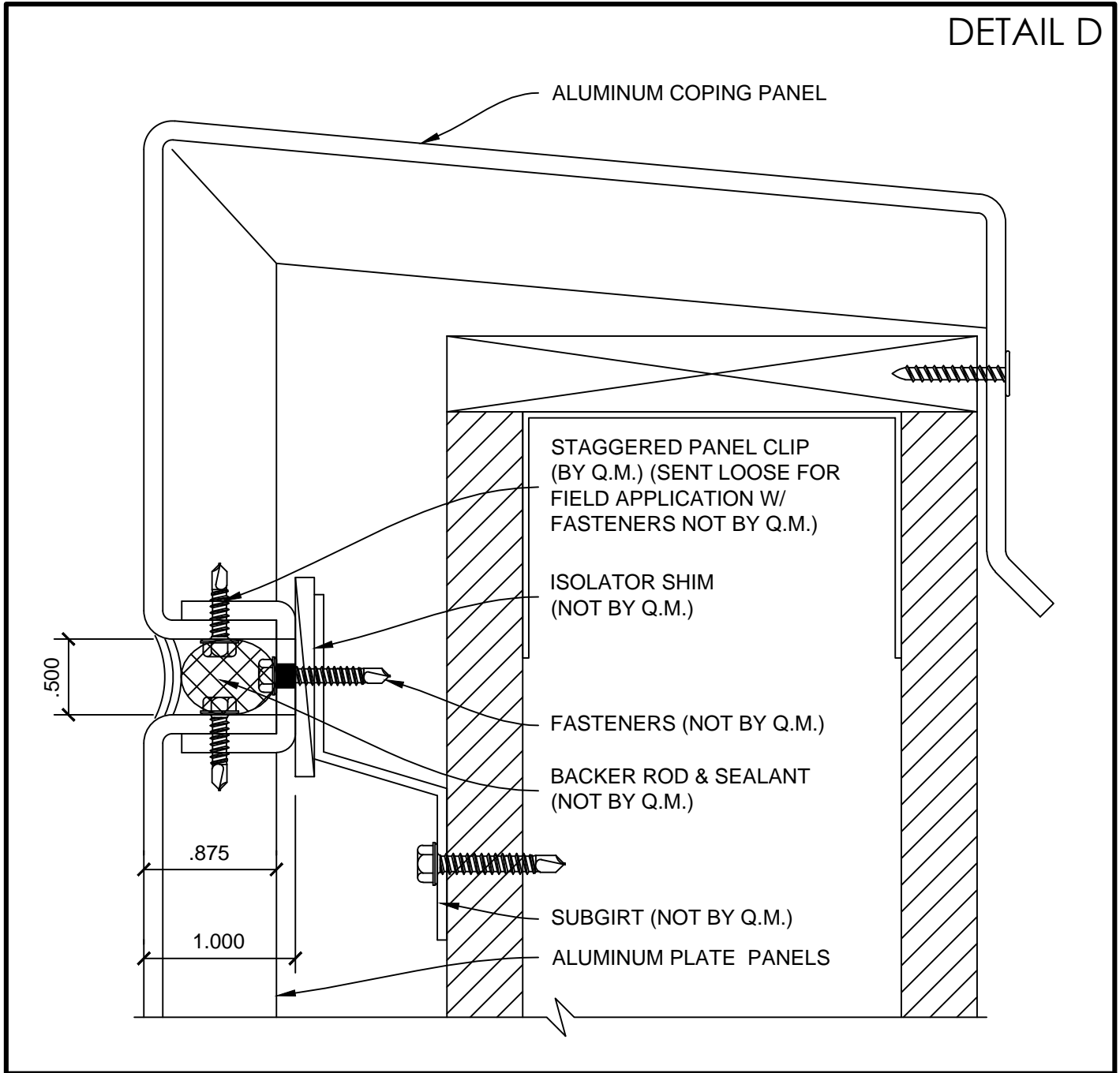
NON-FASTENING JOINT DETAIL



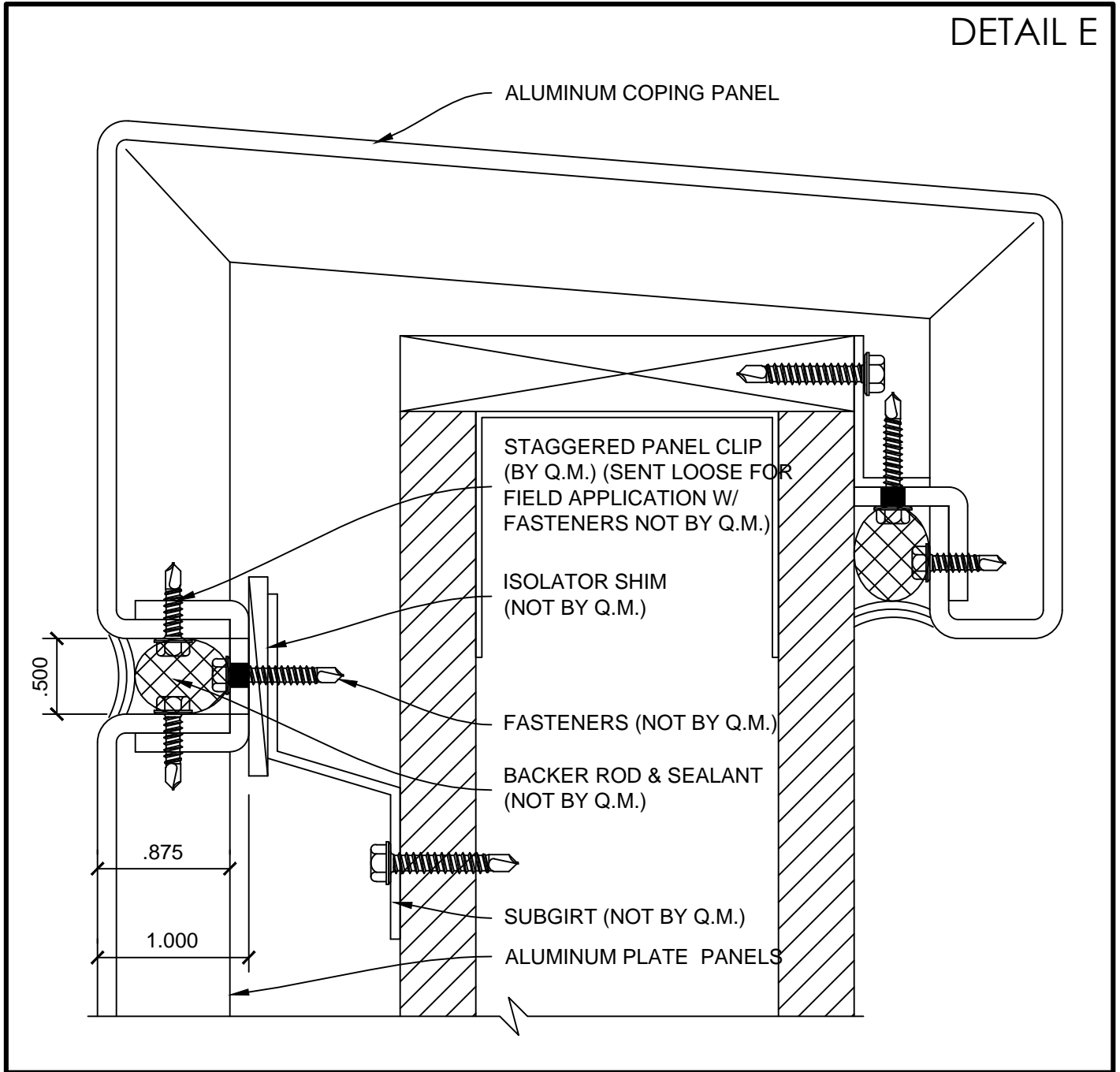
COPING DETAIL (1)



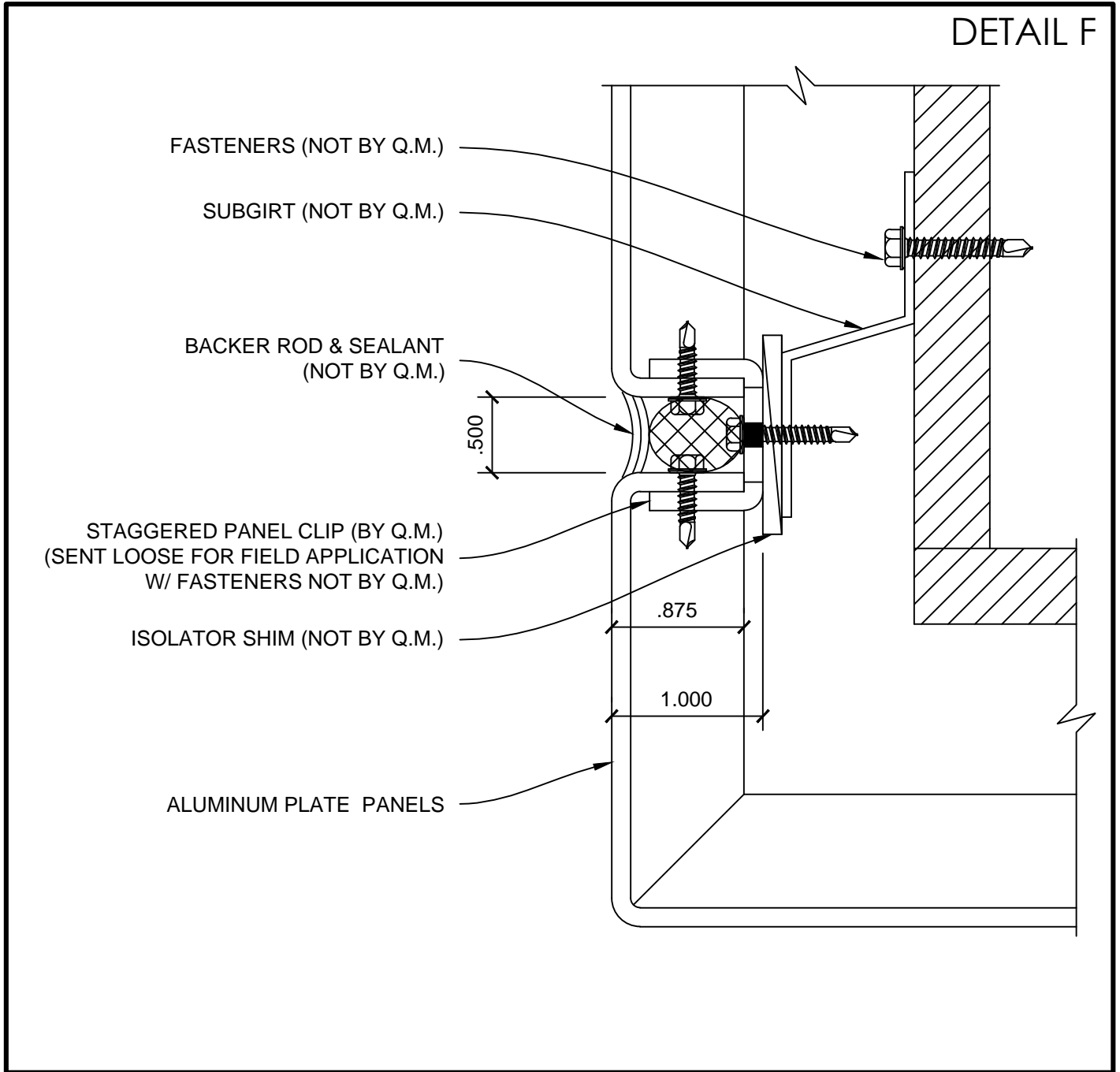
COPING DETAIL (2)



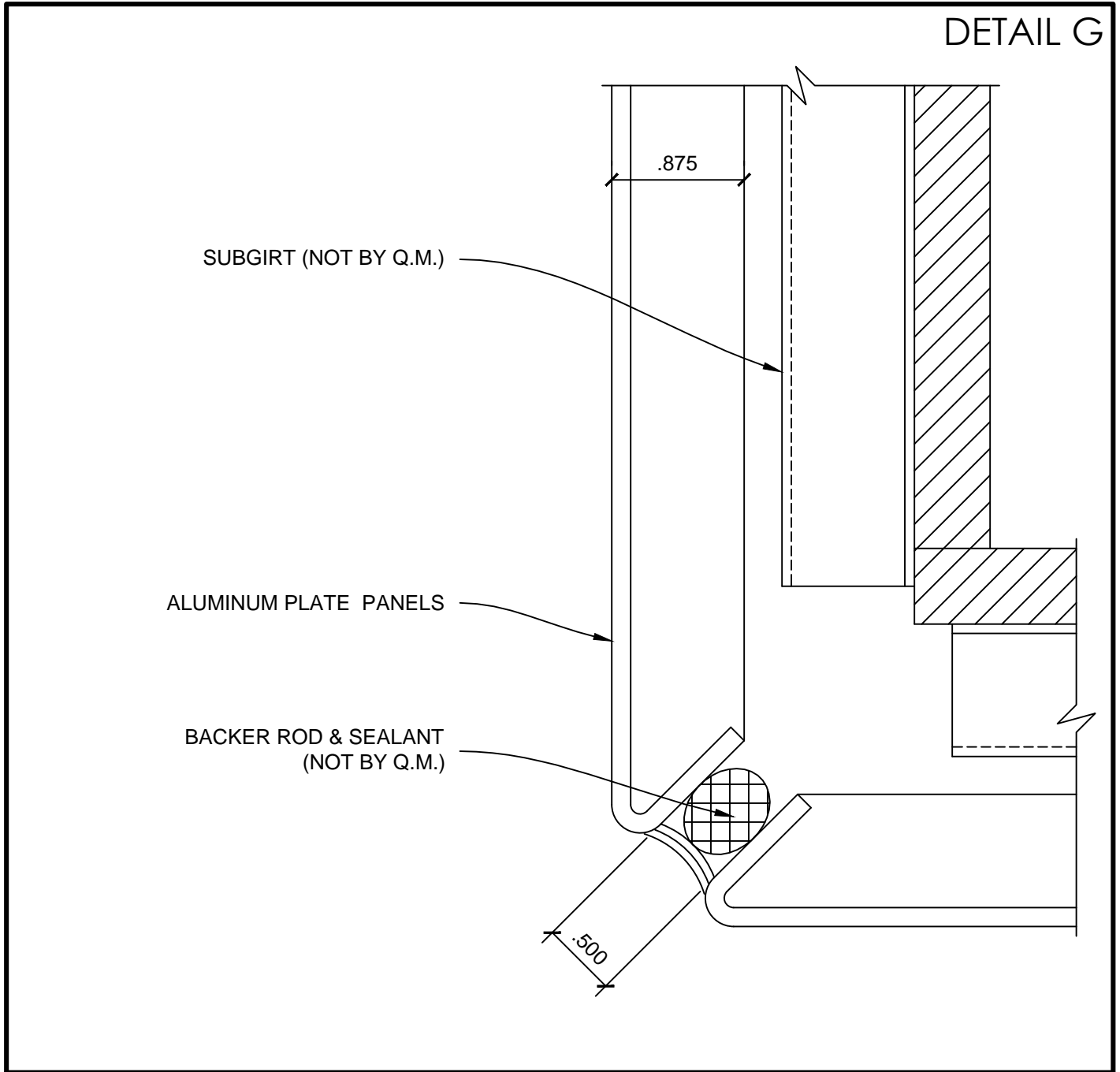
COPING DETAIL (3)



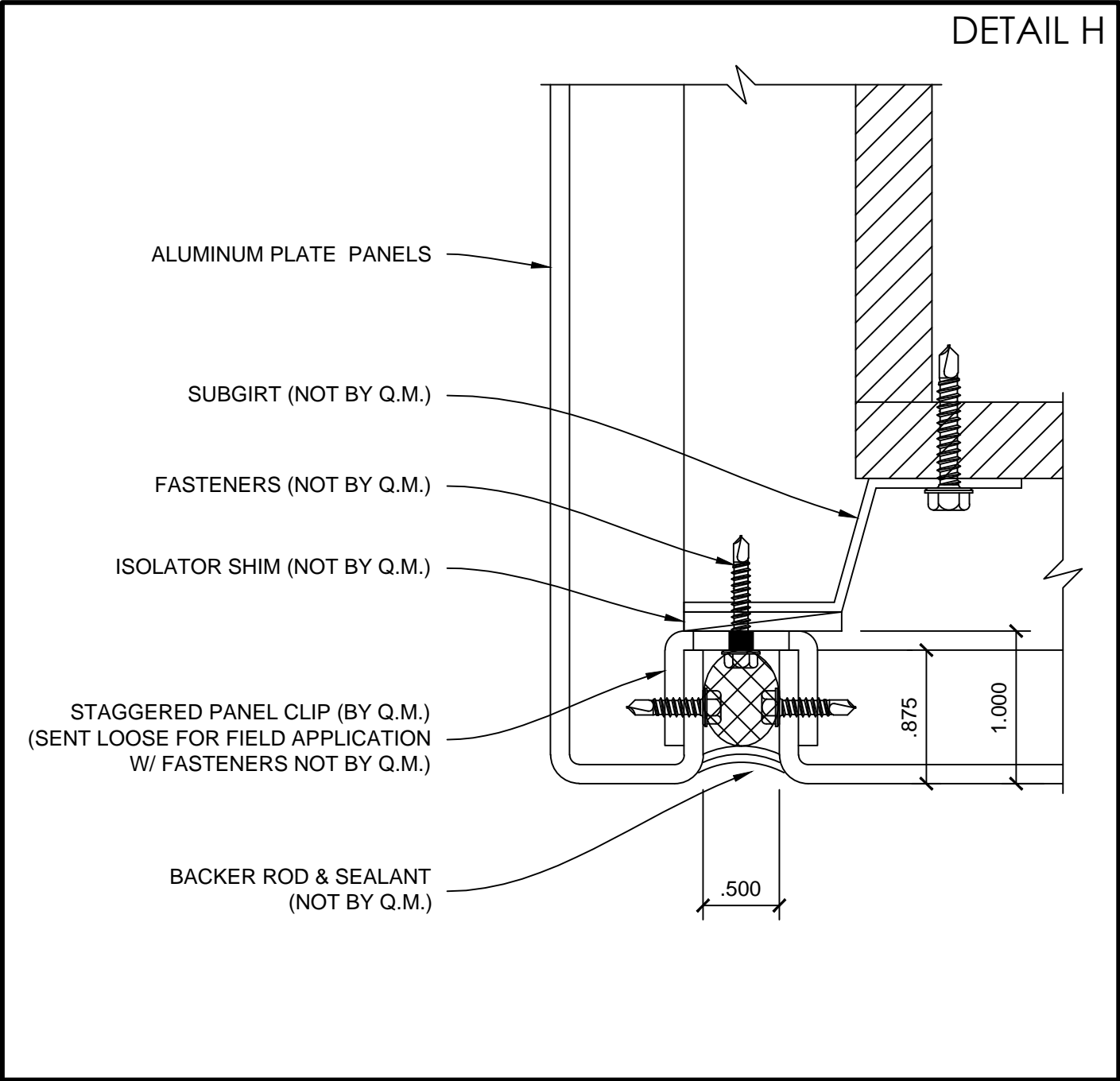
OUTSIDE CORNER DETAIL (1)



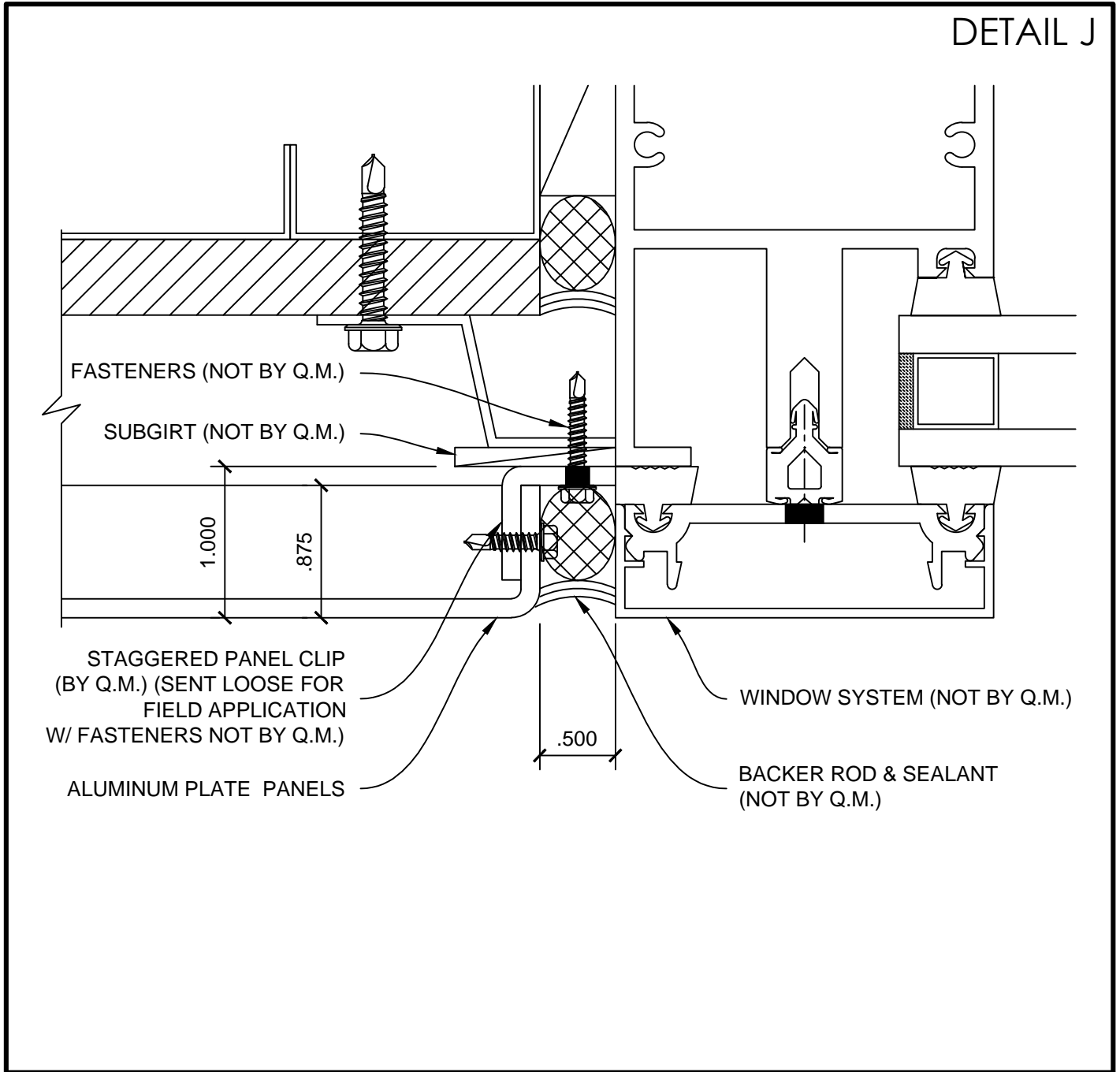
OUTSIDE CORNER DETAIL (2)



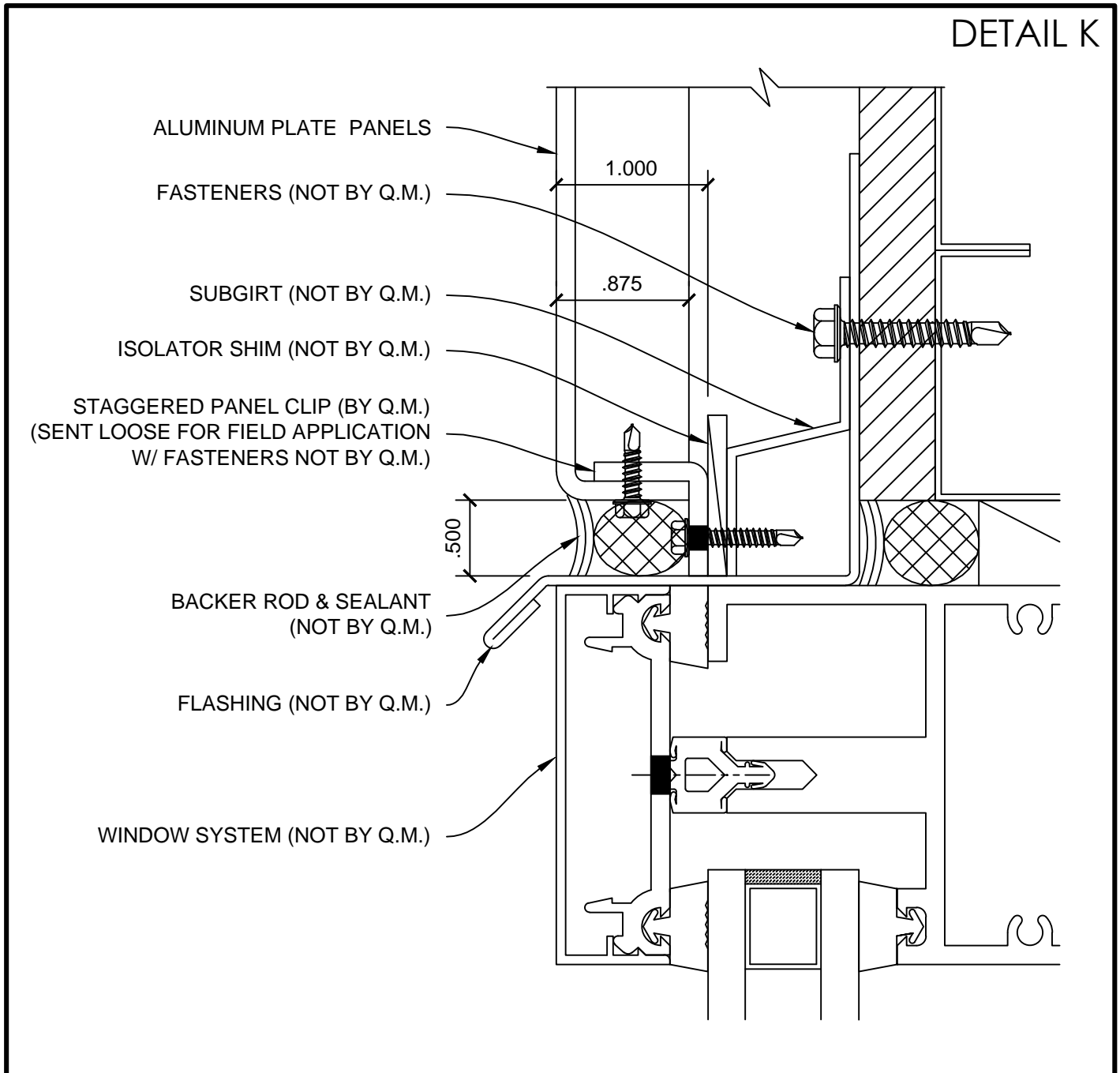
SOFFIT DETAIL



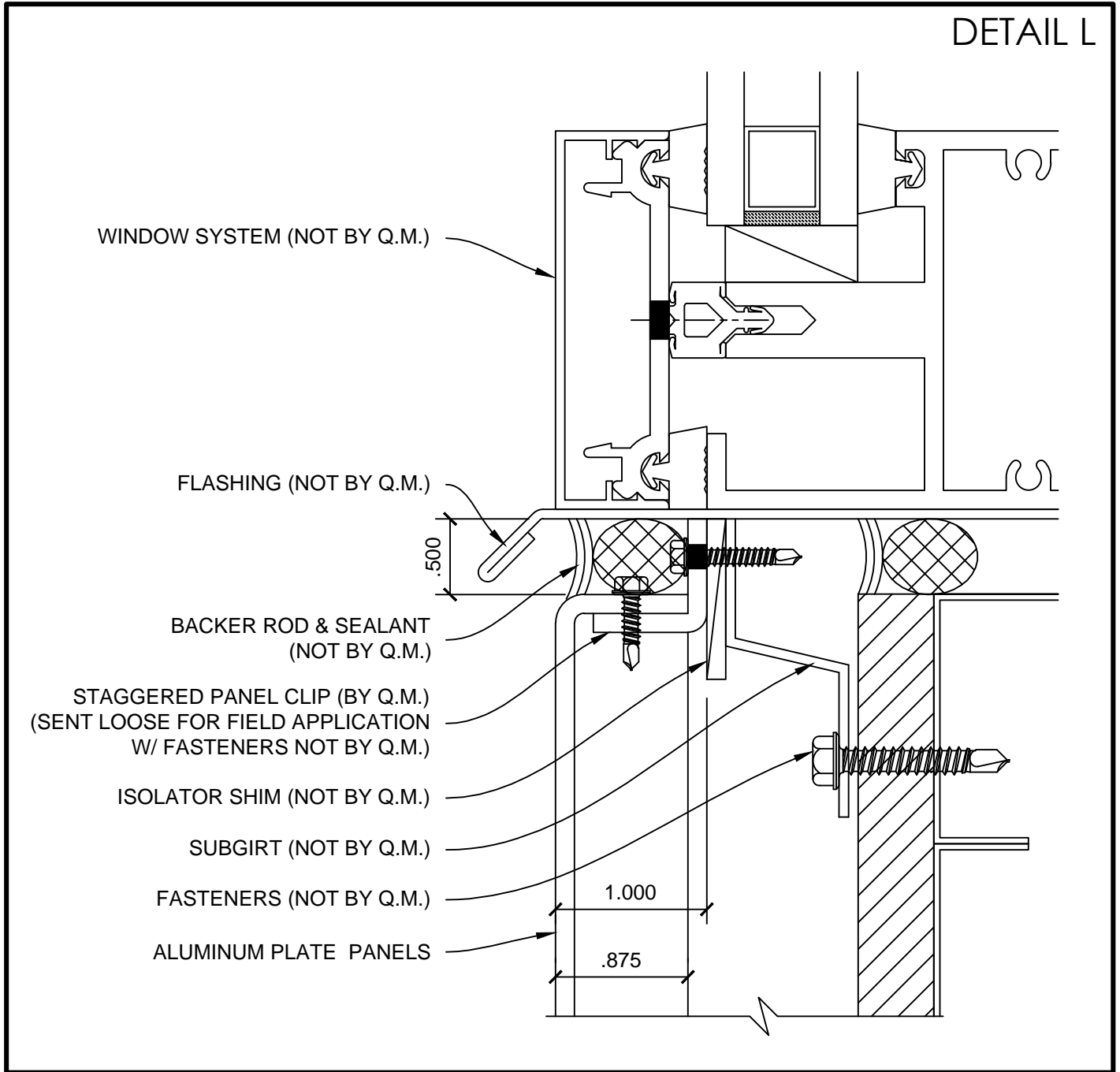
WINDOW JAMB DETAIL



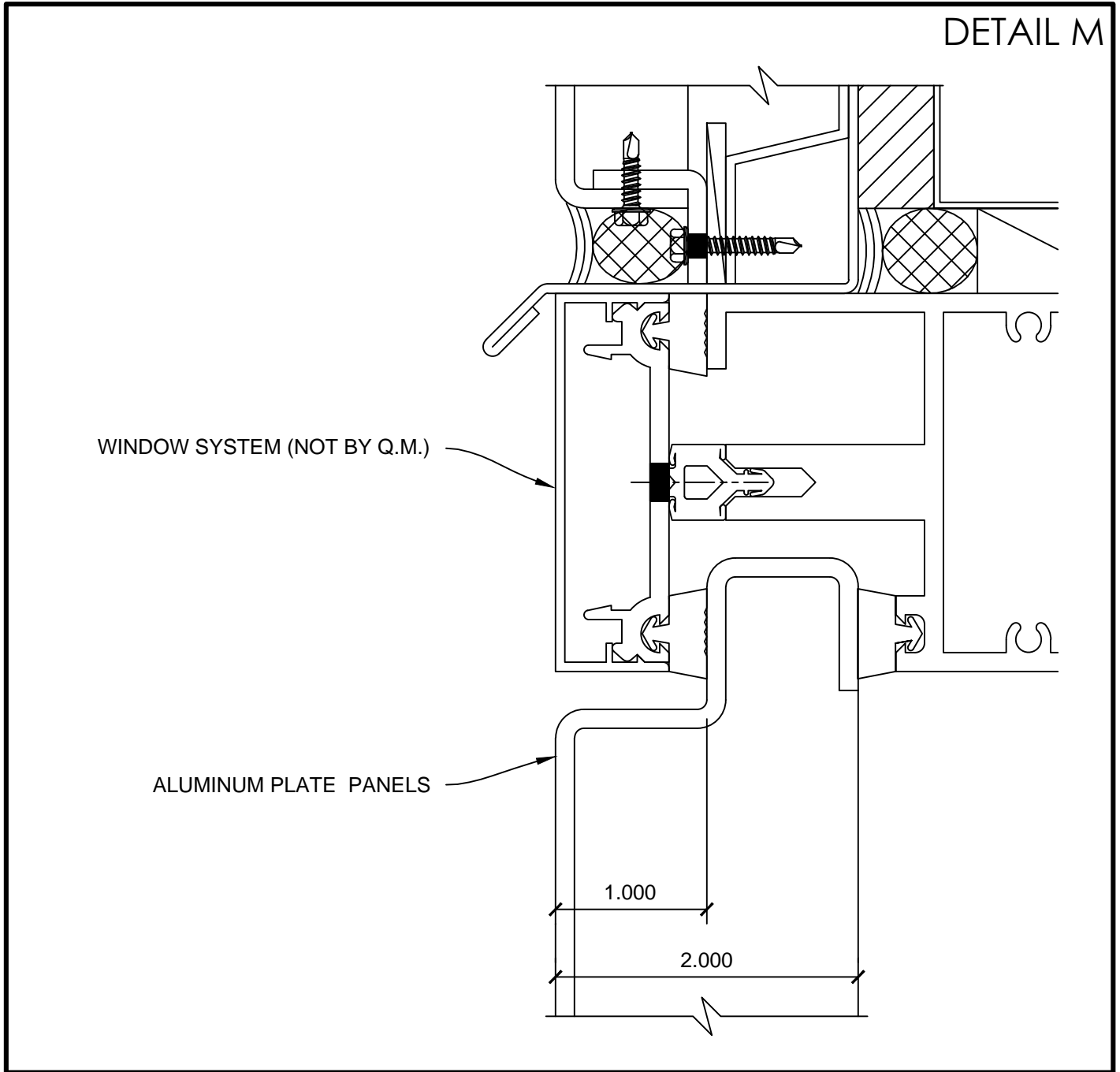
WINDOW HEAD DETAIL



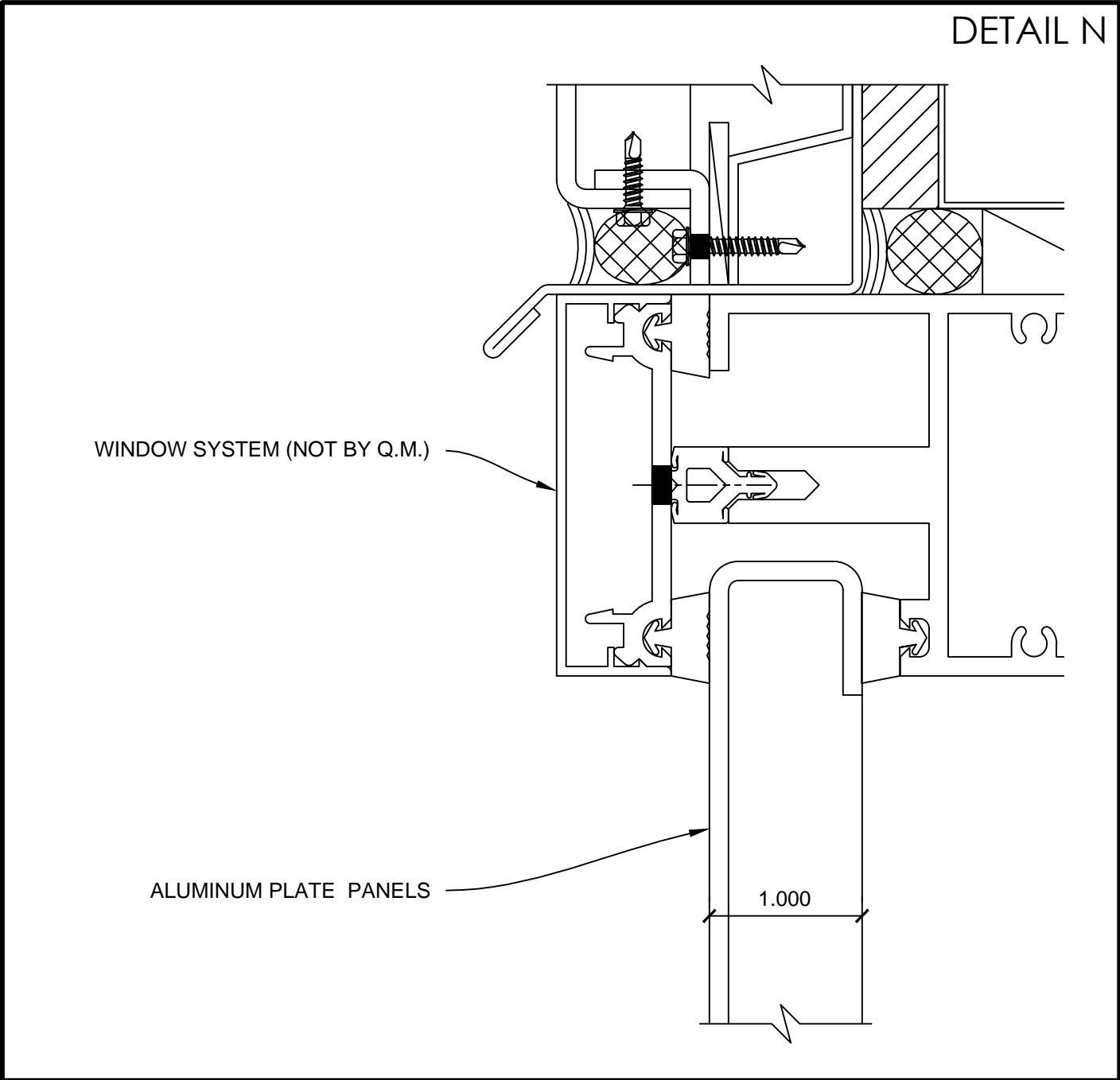
WINDOW SILL DETAIL



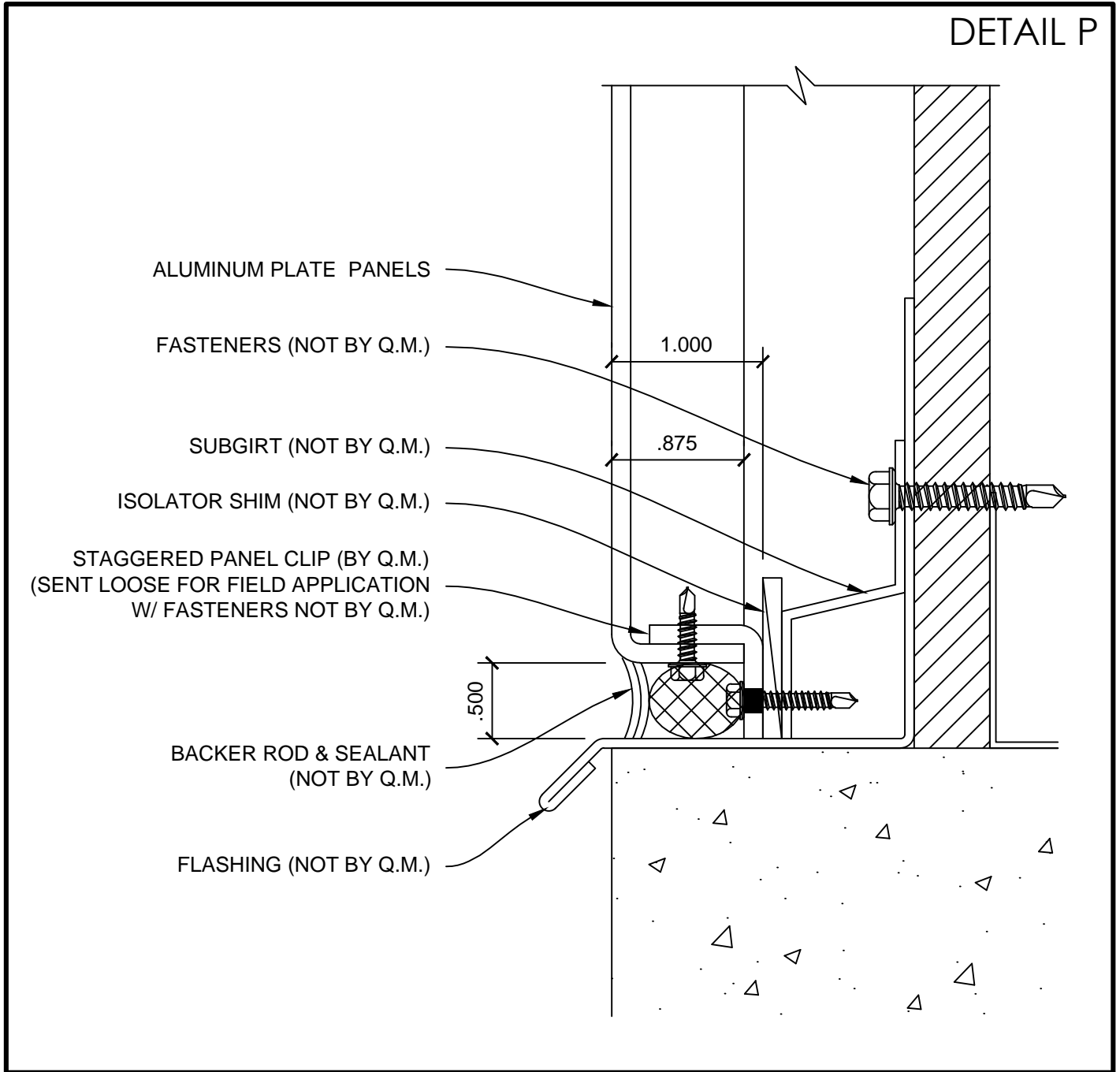
GLAZED PANEL DETAIL (1)



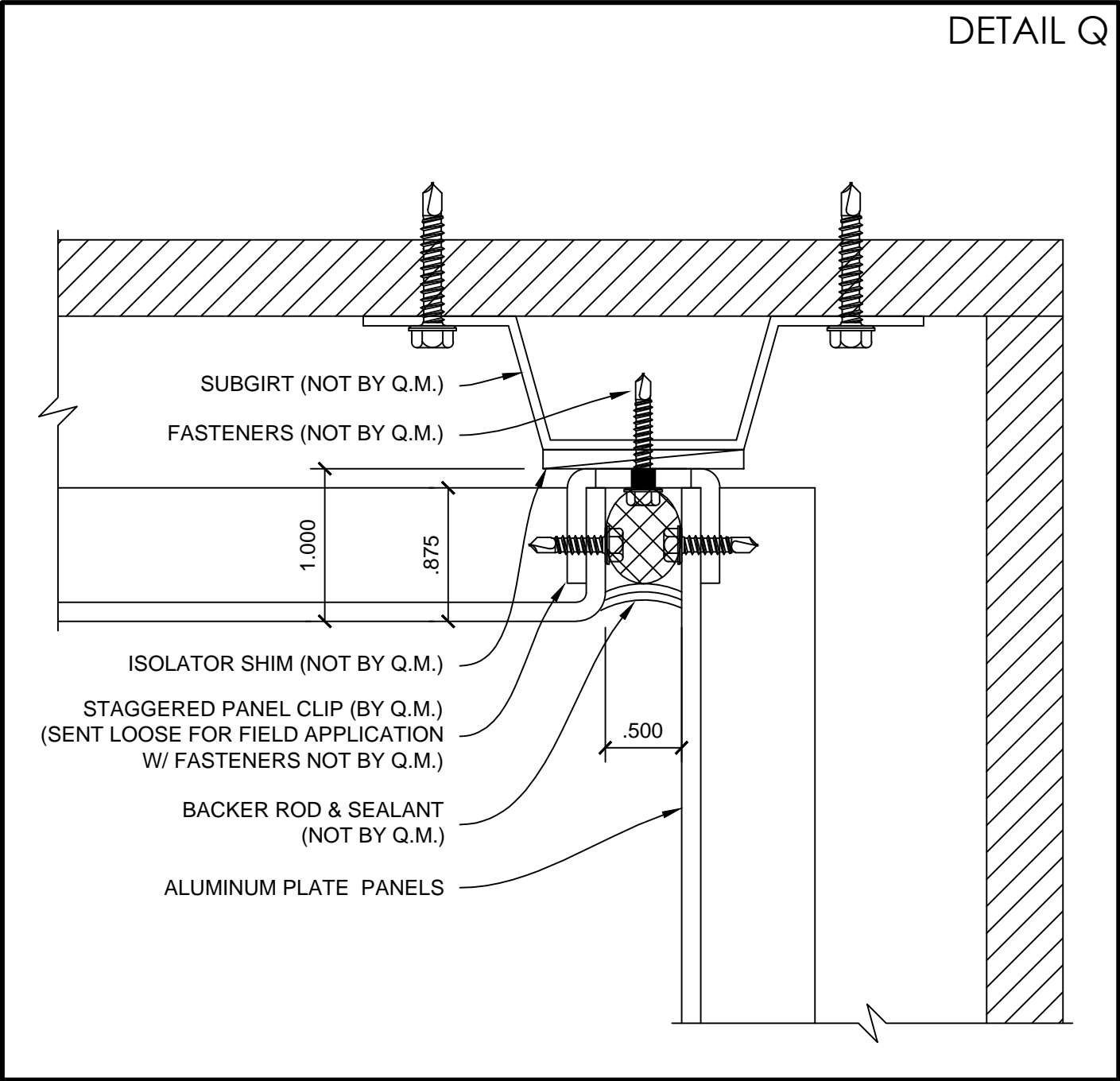
GLAZED PANEL DETAIL (2)



BASE DETAIL

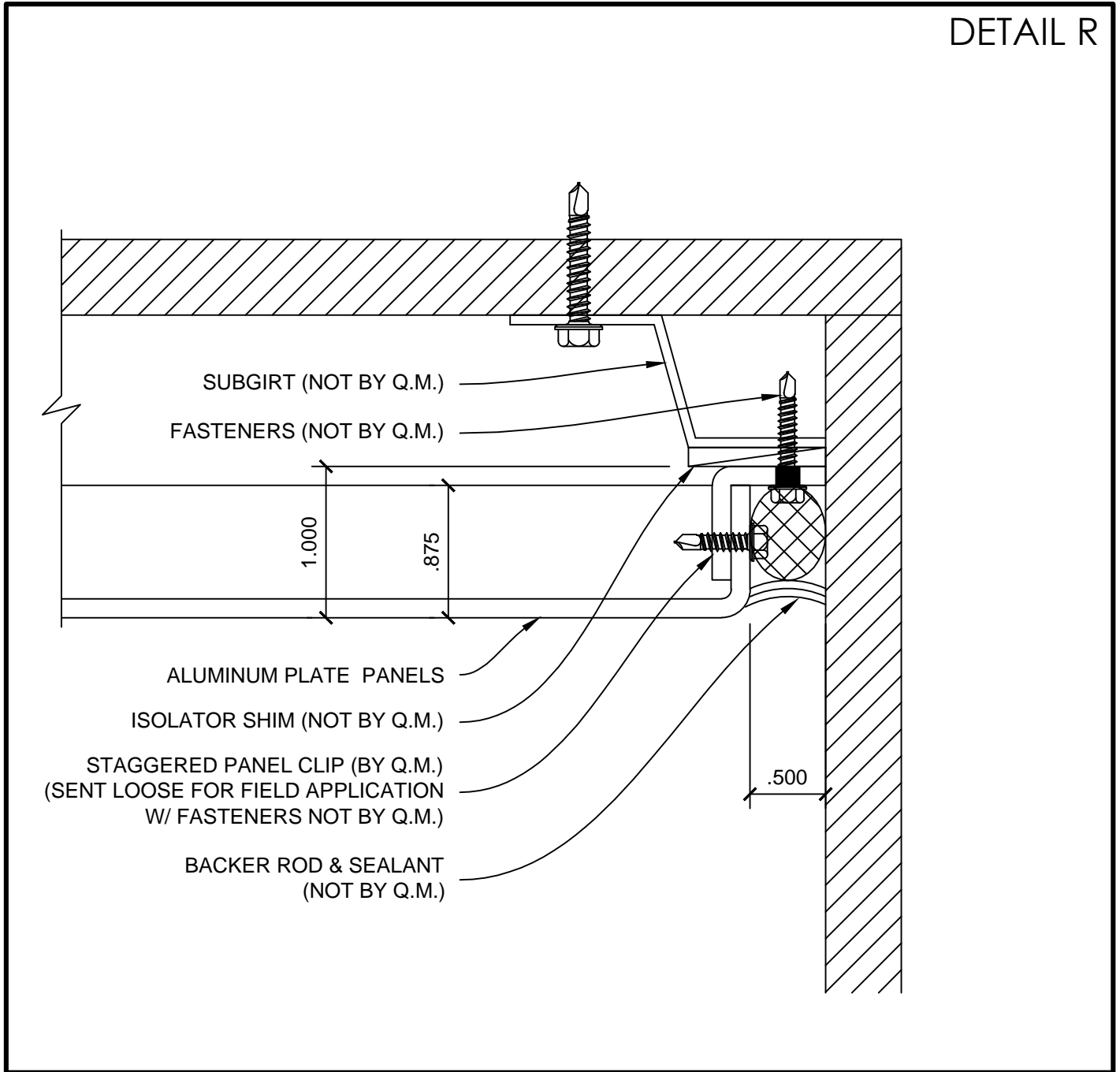


INSIDE CORNER DETAIL (1)

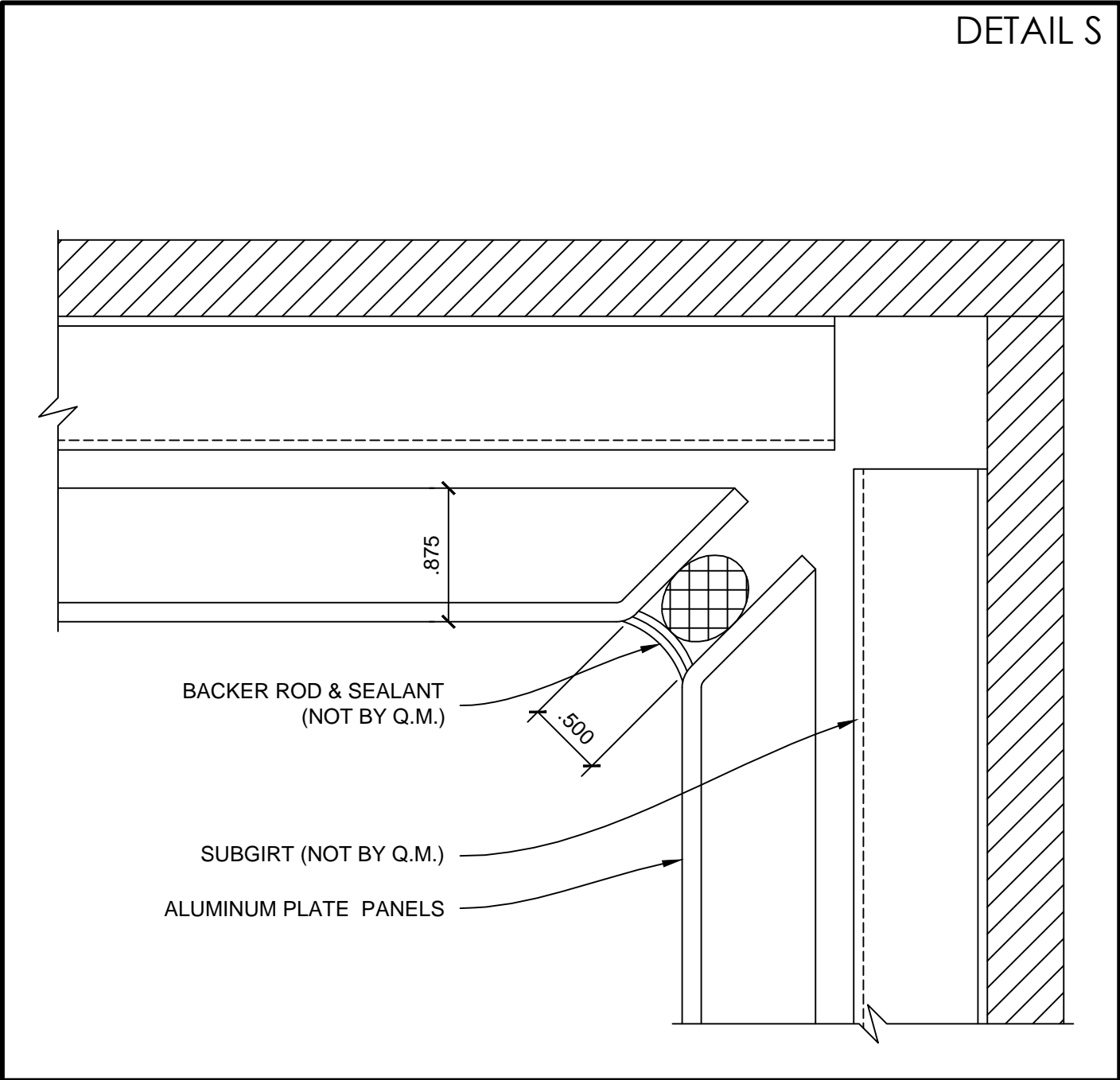


INSIDE CORNER DETAIL (2)

DETAIL R

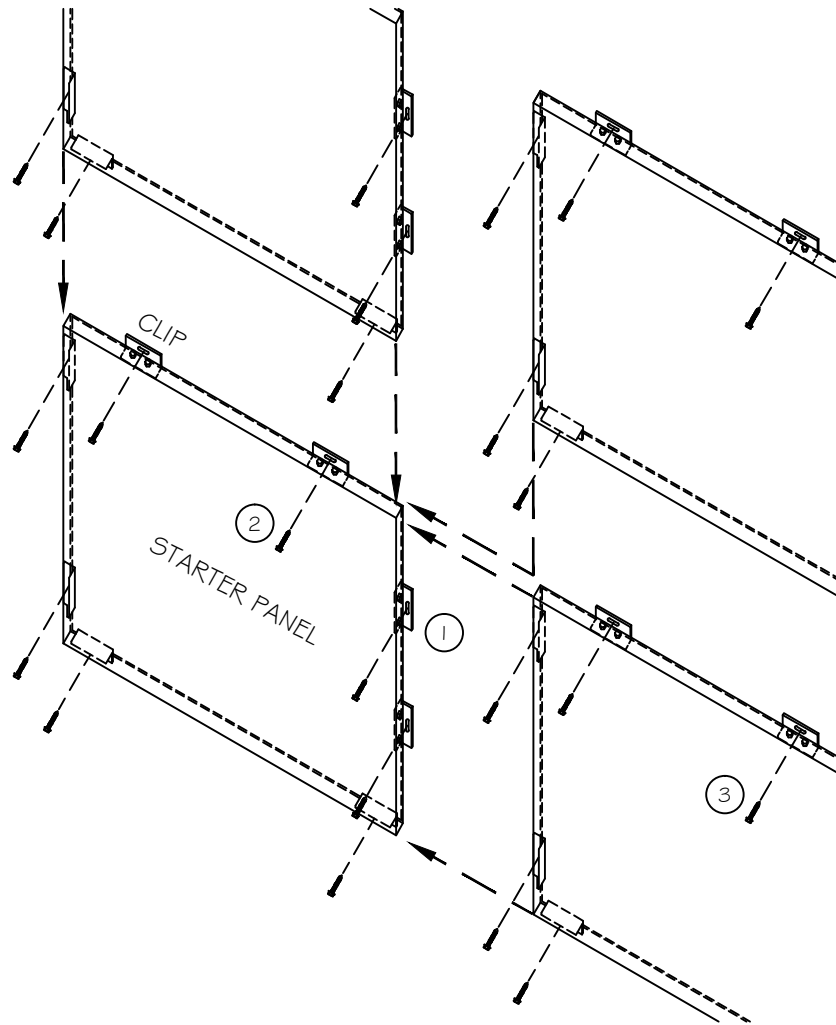


INSIDE CORNER DETAIL (3)



ALUMINUM PLATE SYSTEM (WET JOINT)
INSTALLATION GUIDE

DETAIL T



- ① FASTEN CLIPS TO PANELS USING STAGGERING SPACING FOR ADJACENT PANELS
- ② FASTEN THRU PANEL CLIP SLOTS ON STARTER PANEL INTO SUBSTRATE
- ③ REPEAT STEP 2 FOR ADJACENT PANELS ENSURING DESIRED JOINT WIDTH BETWEEN PANELS
- ④ WET SEAL JOINTS BETWEEN PANELS AND AT PERIMETER