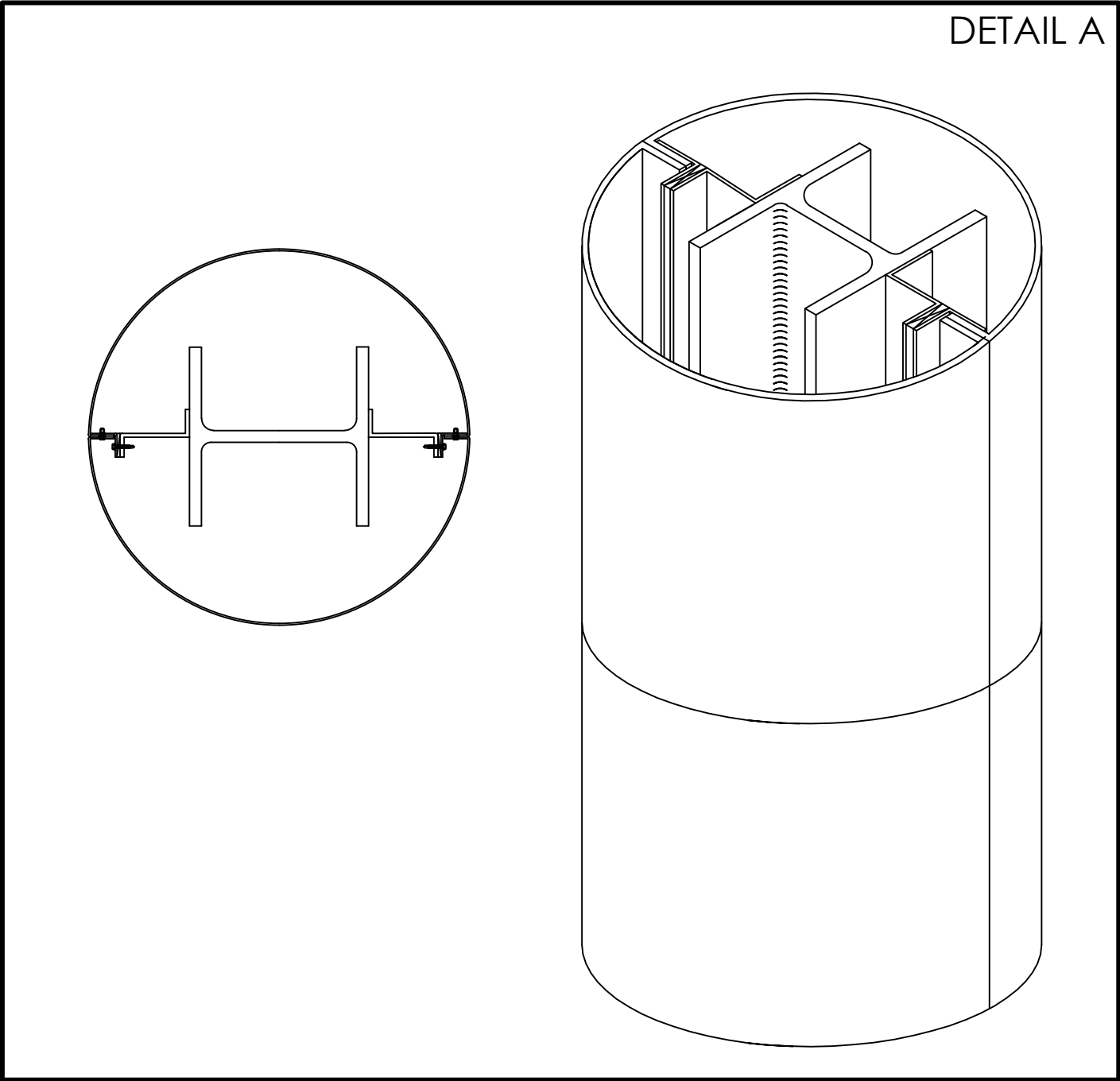




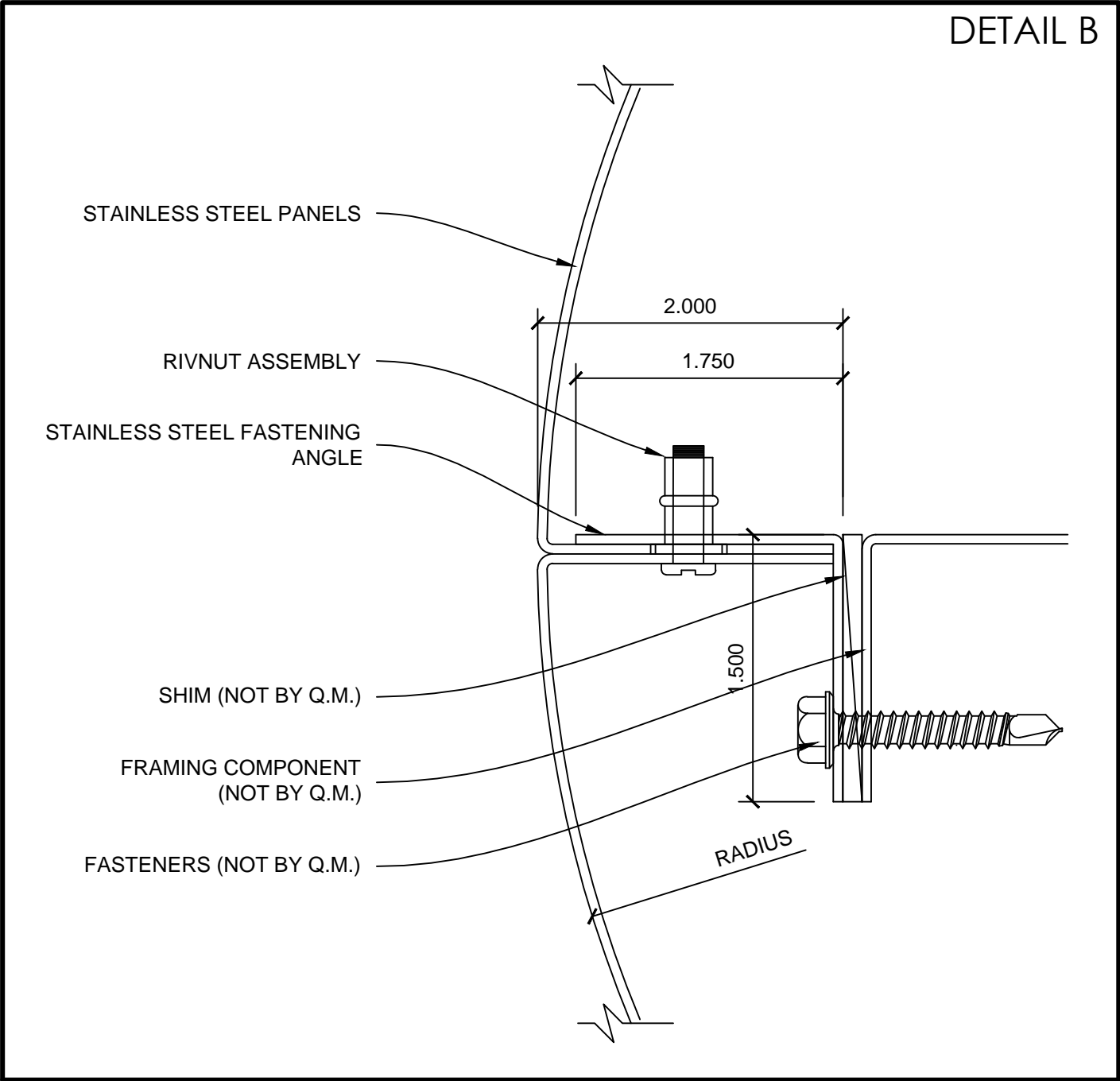
AC-20ST

ISOMETRIC

DETAIL A



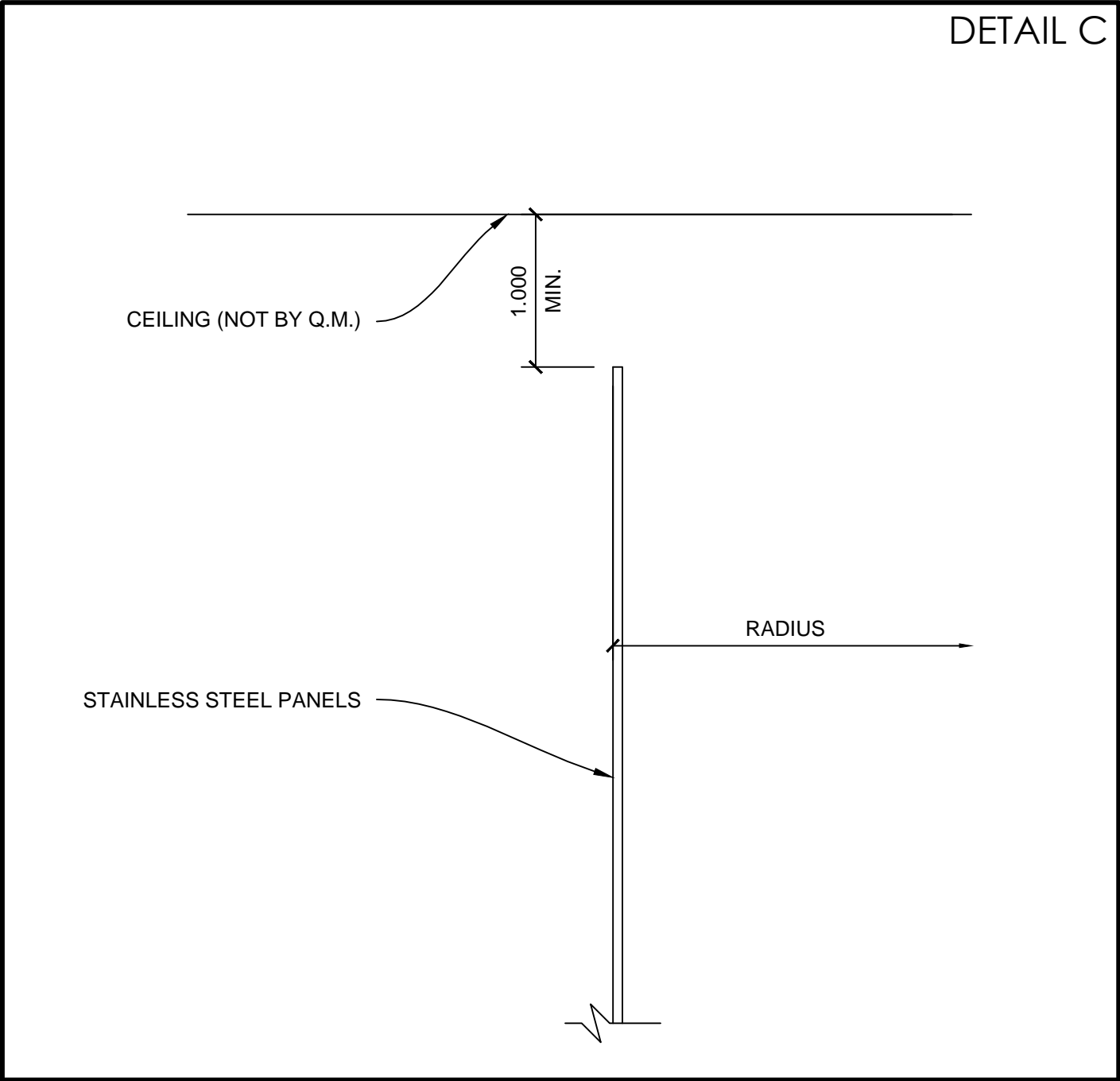
VERTICAL DETAIL (1)





AC-20ST

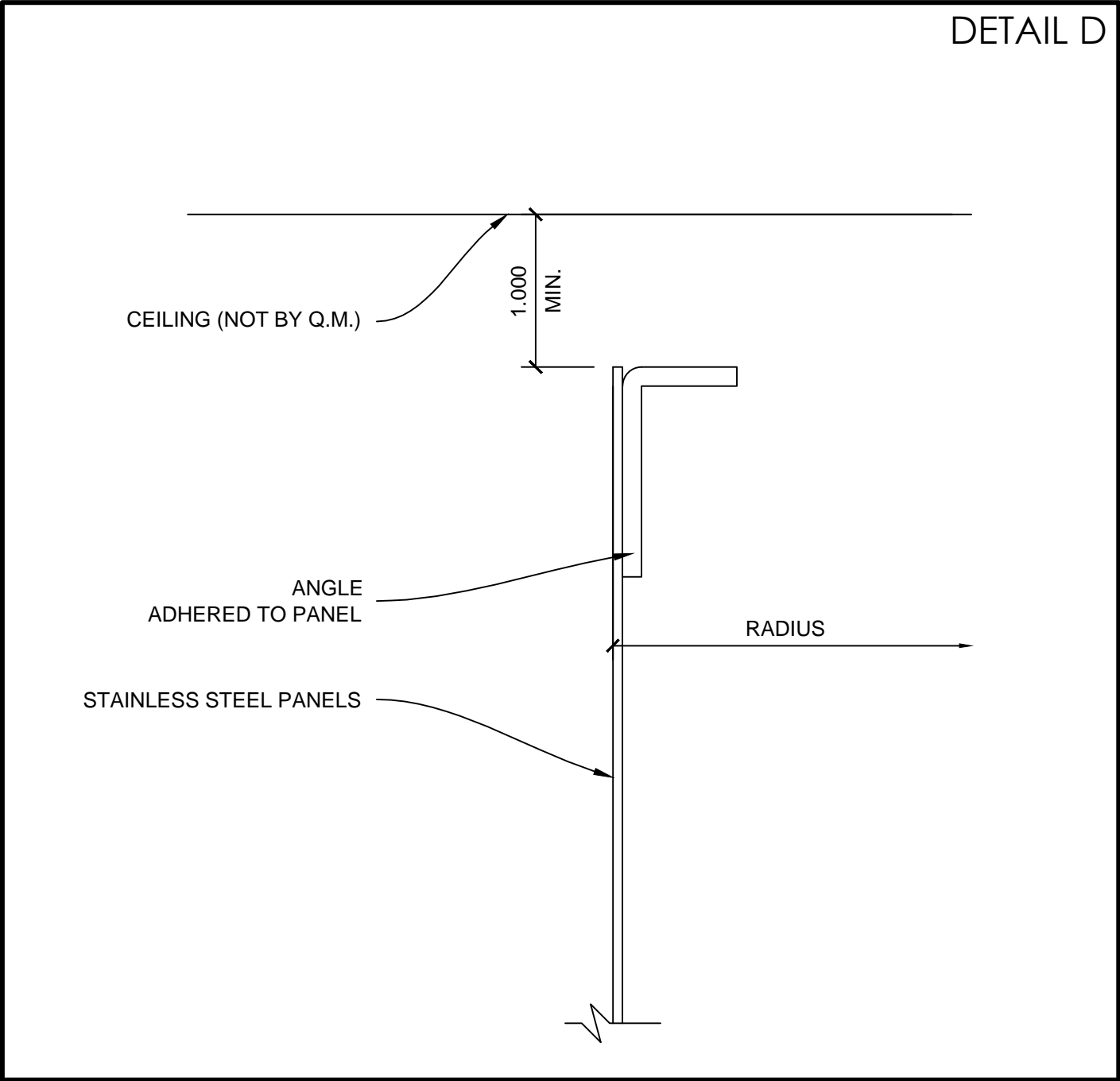
HEAD DETAIL (1)



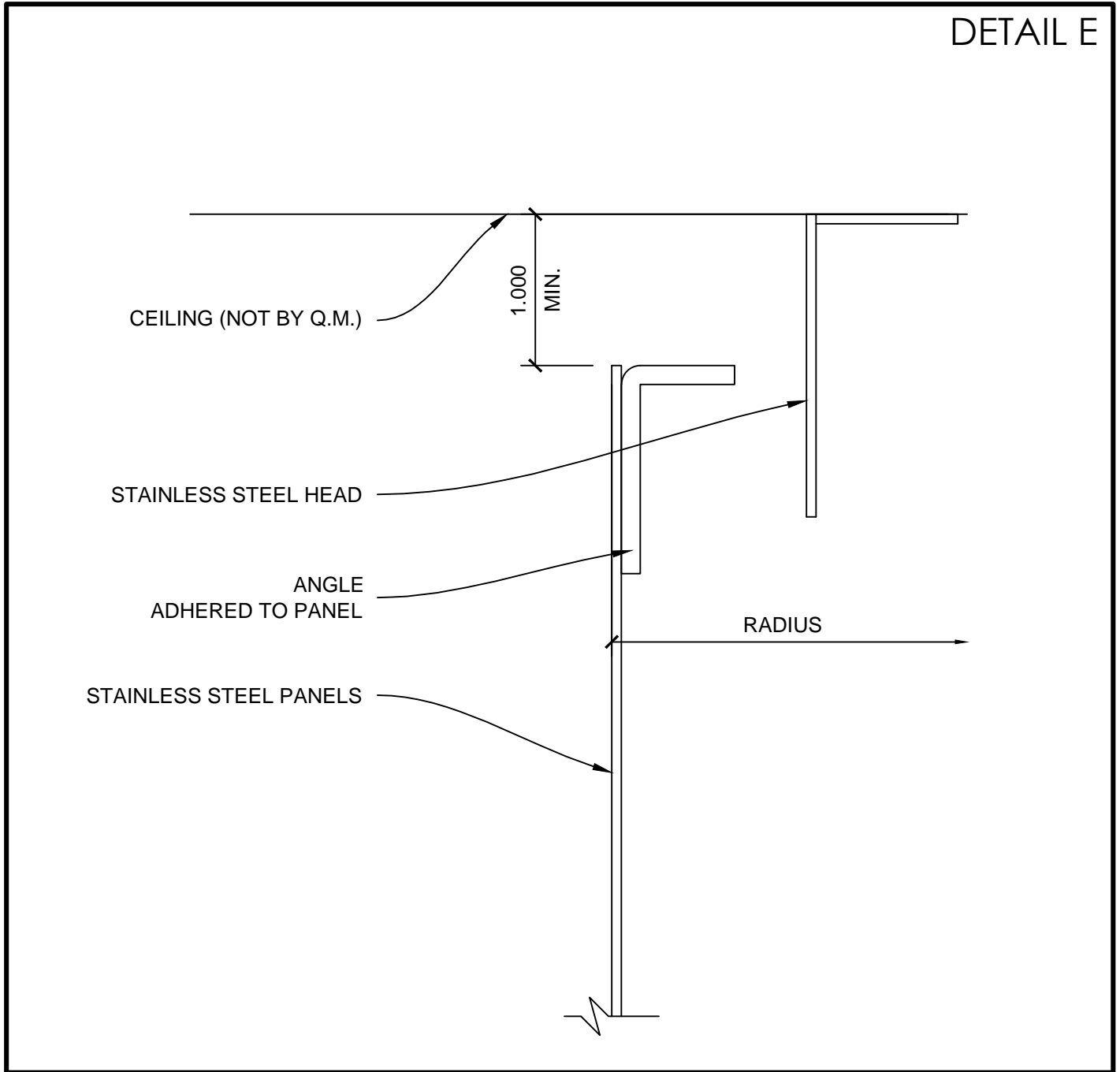


AC-20ST

HEAD DETAIL (2)



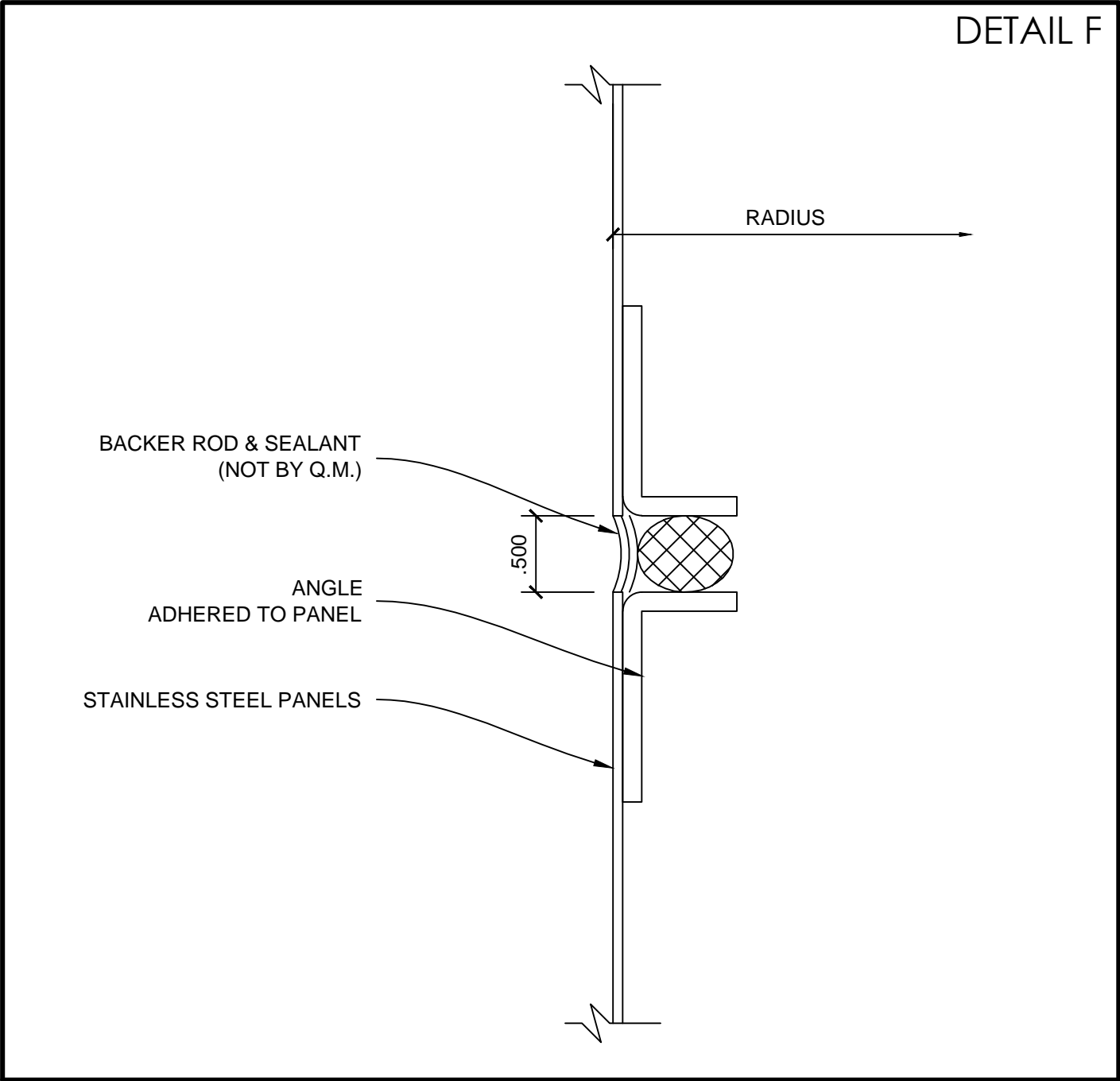
HEAD DETAIL (3)



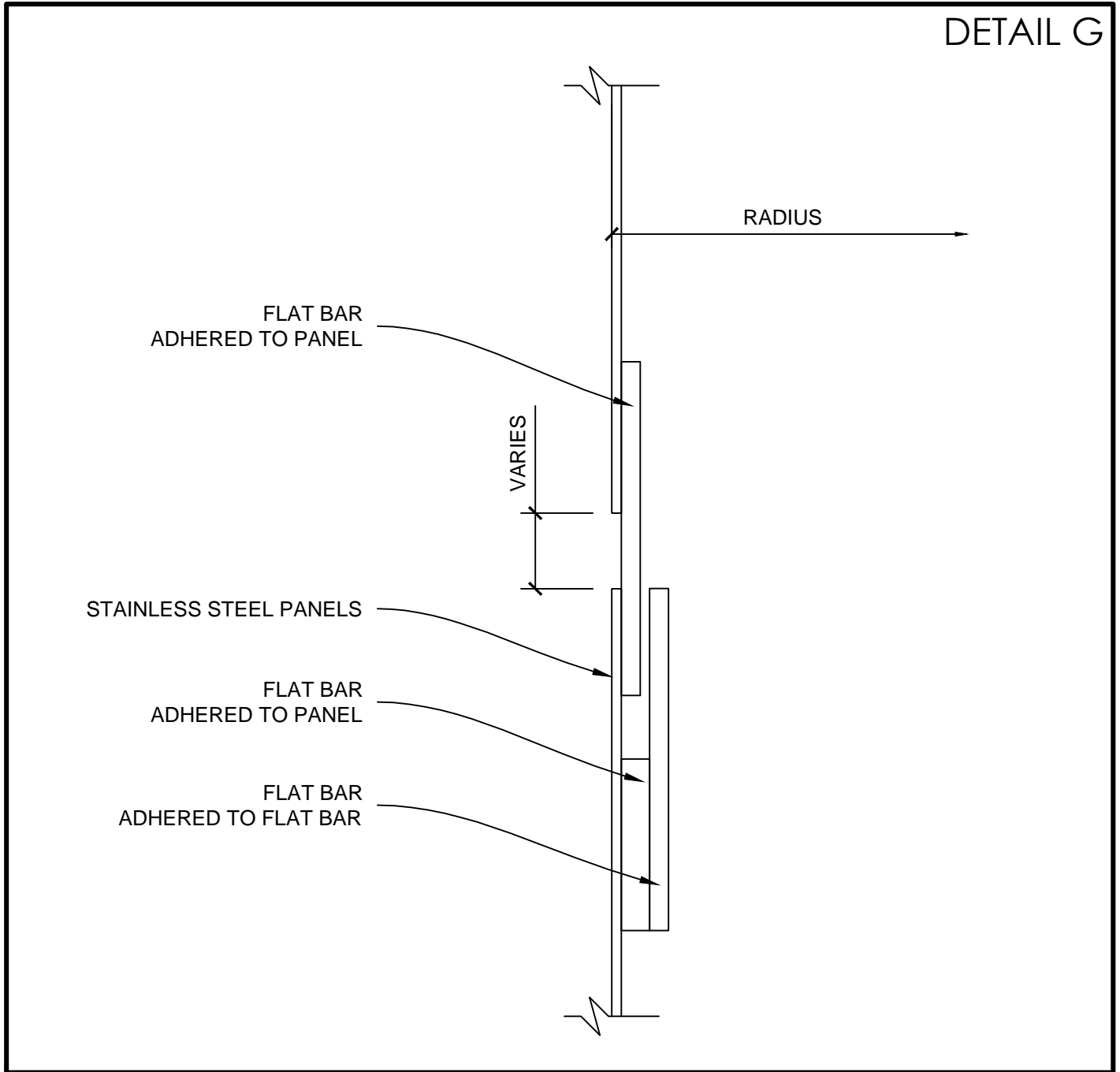


AC-20ST

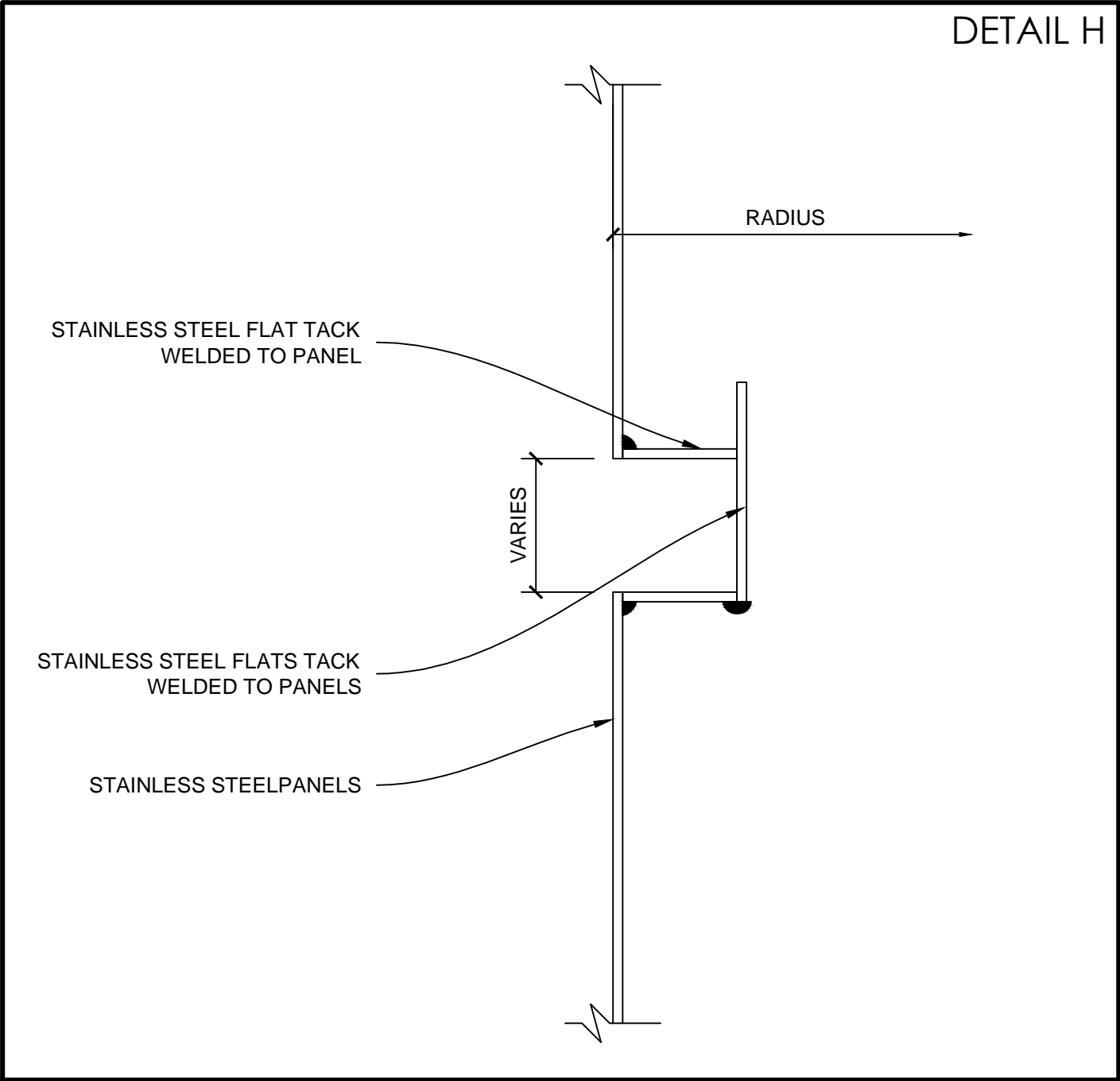
INTERMEDIATE DETAIL (1)



INTERMEDIATE DETAIL (2)



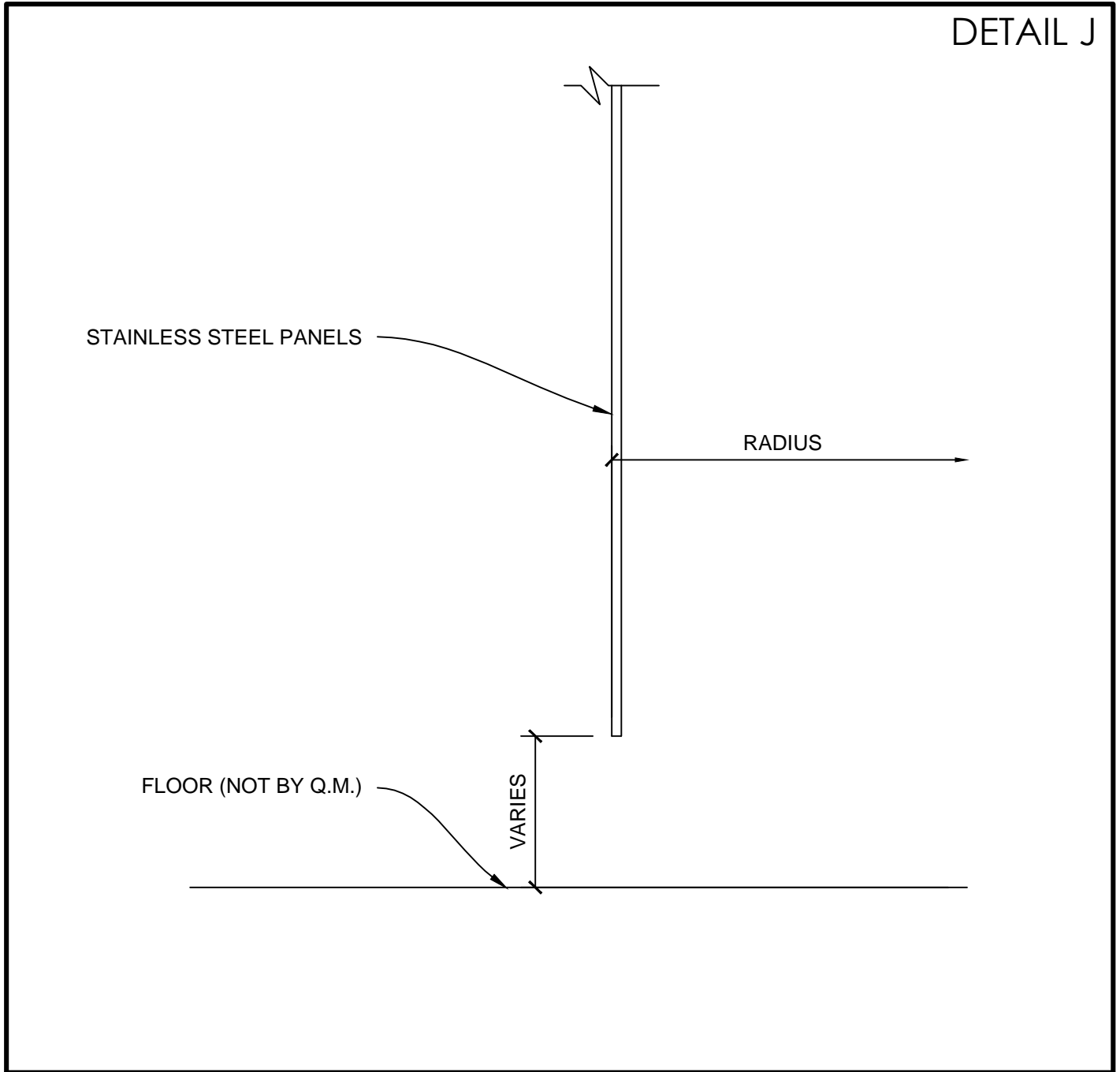
INTERMEDIATE DETAIL (3)





AC-20ST

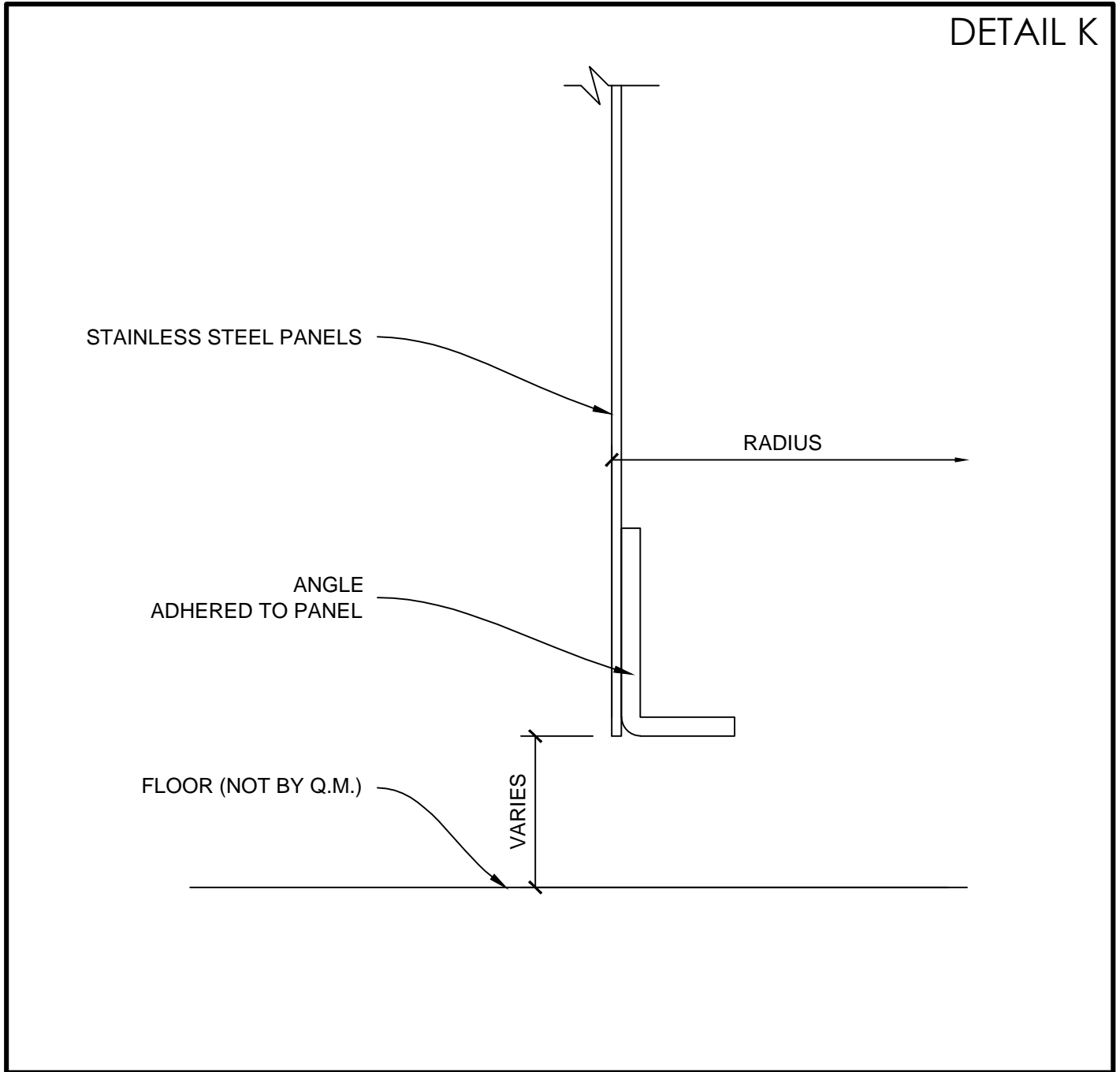
BASE DETAIL (1)



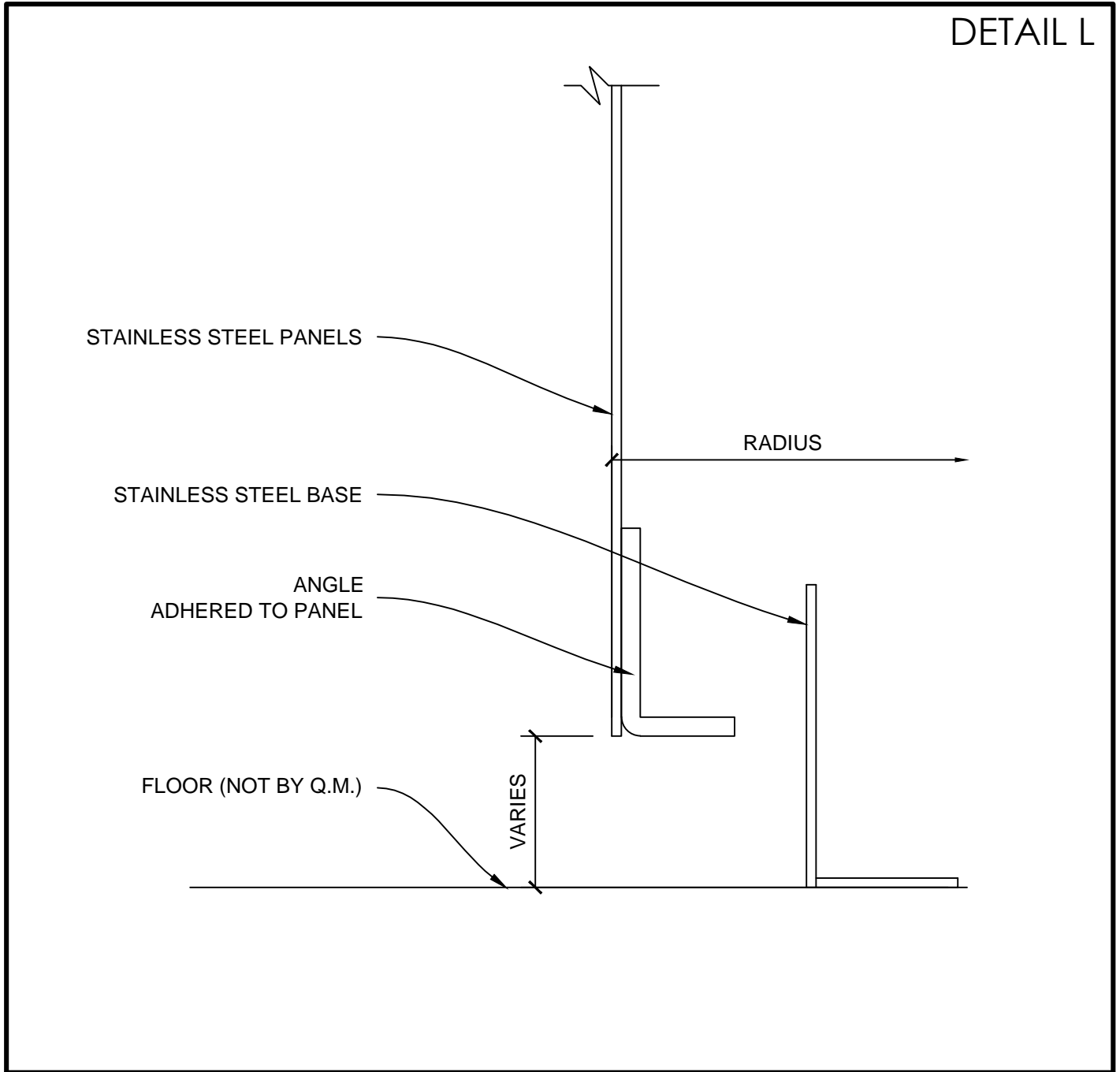


AC-20ST

BASE DETAIL (2)

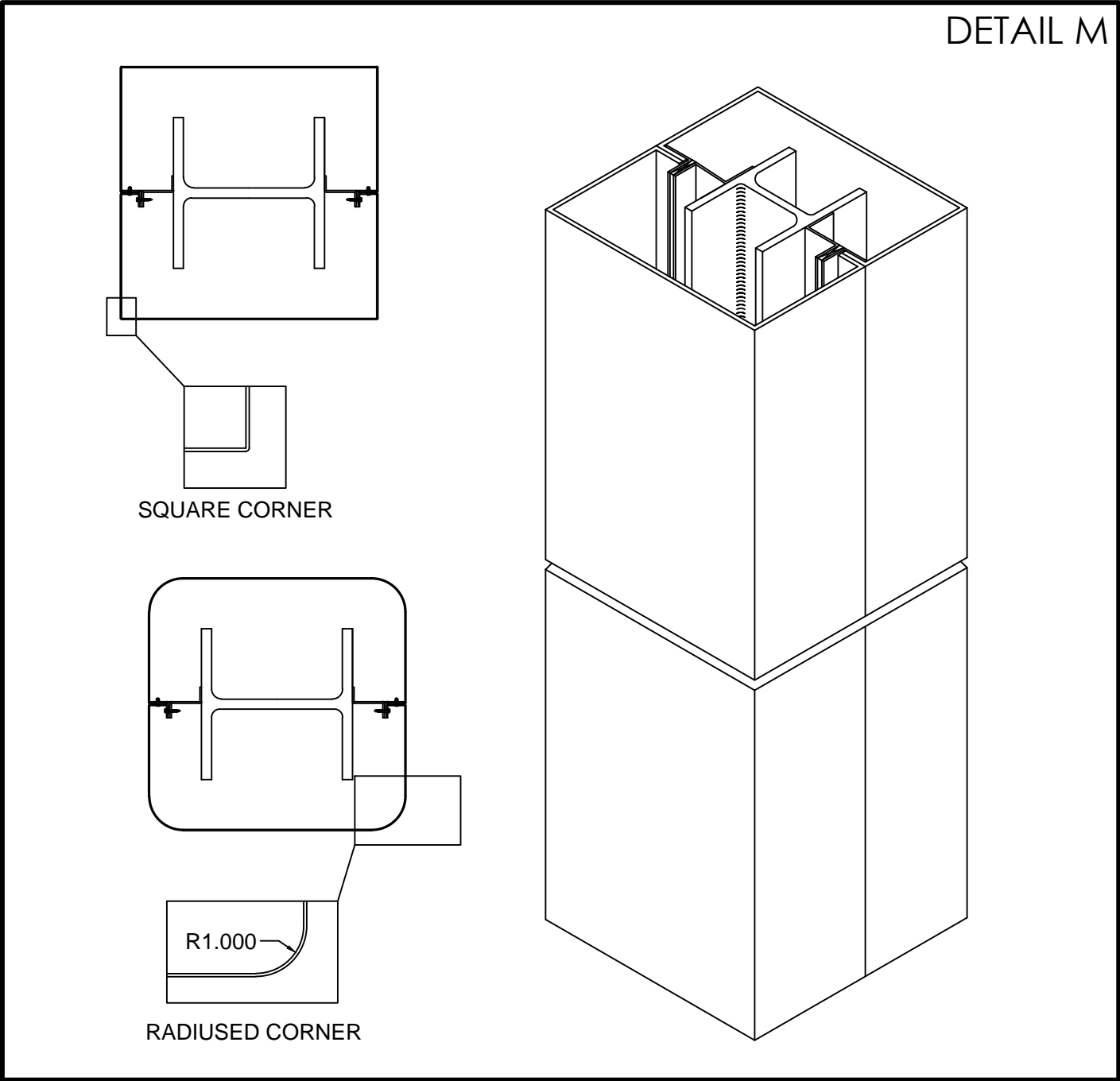


BASE DETAIL (3)

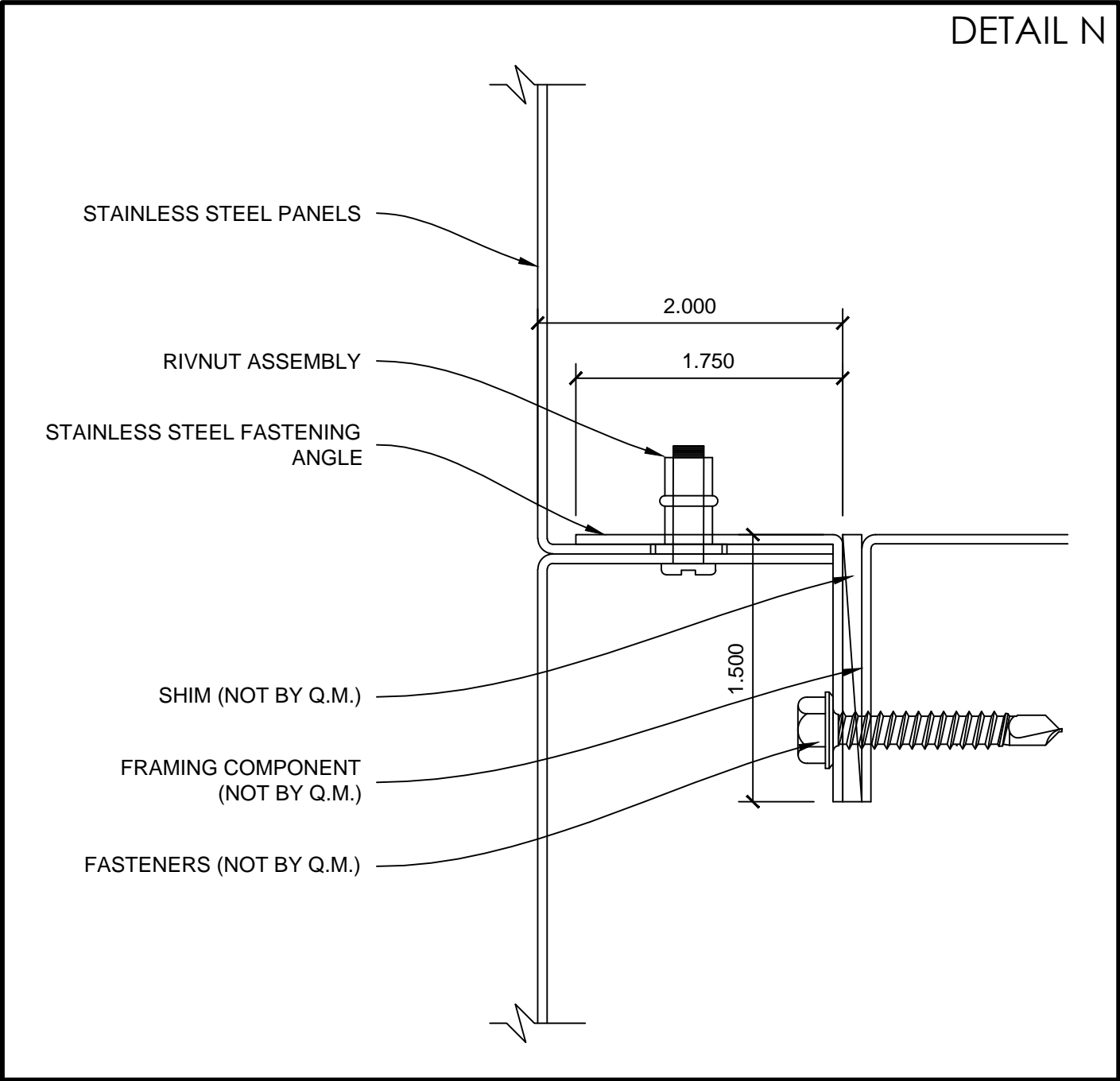


ISOMETRIC

DETAIL M



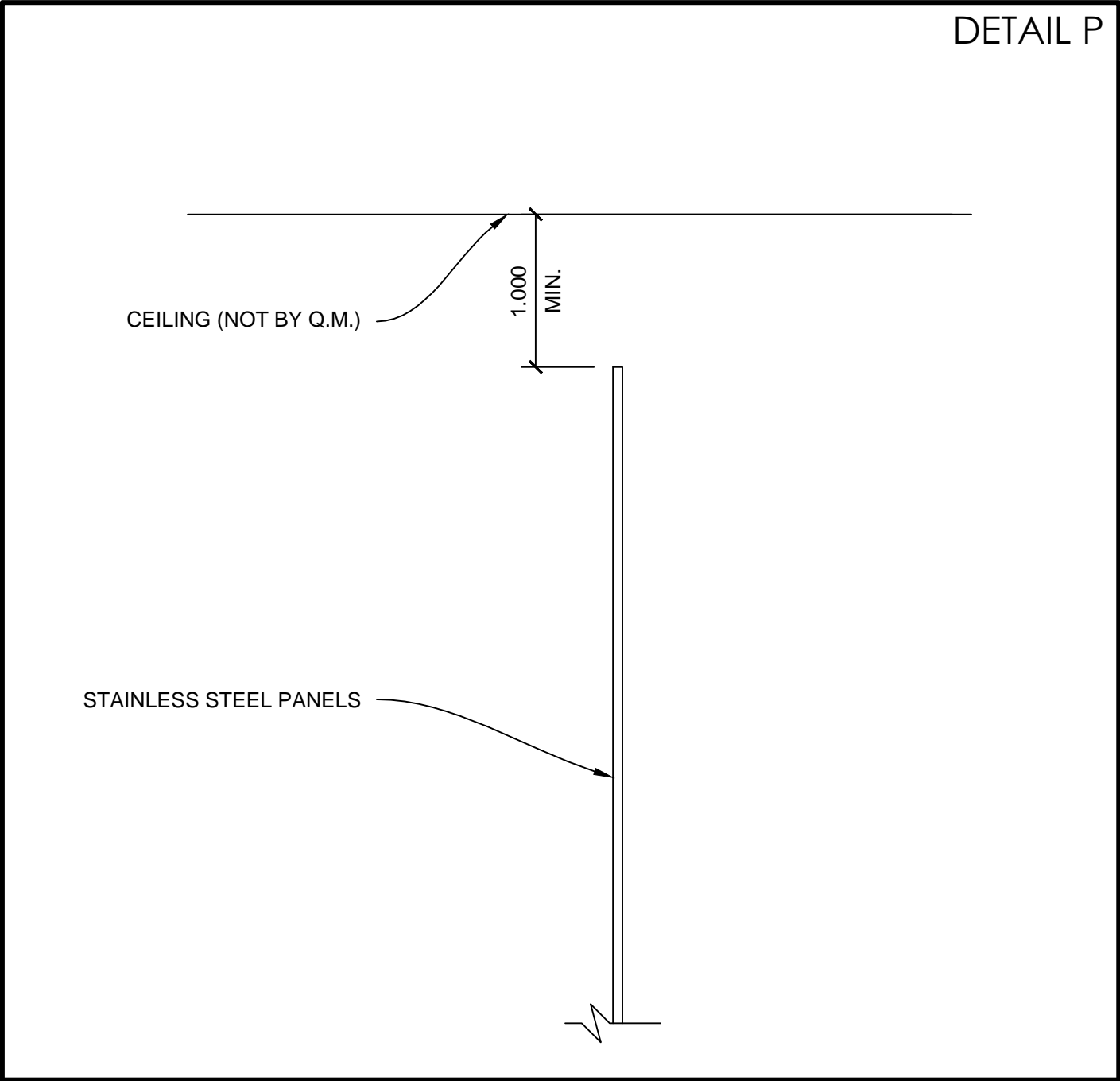
VERTICAL DETAIL (1)





AC-20ST

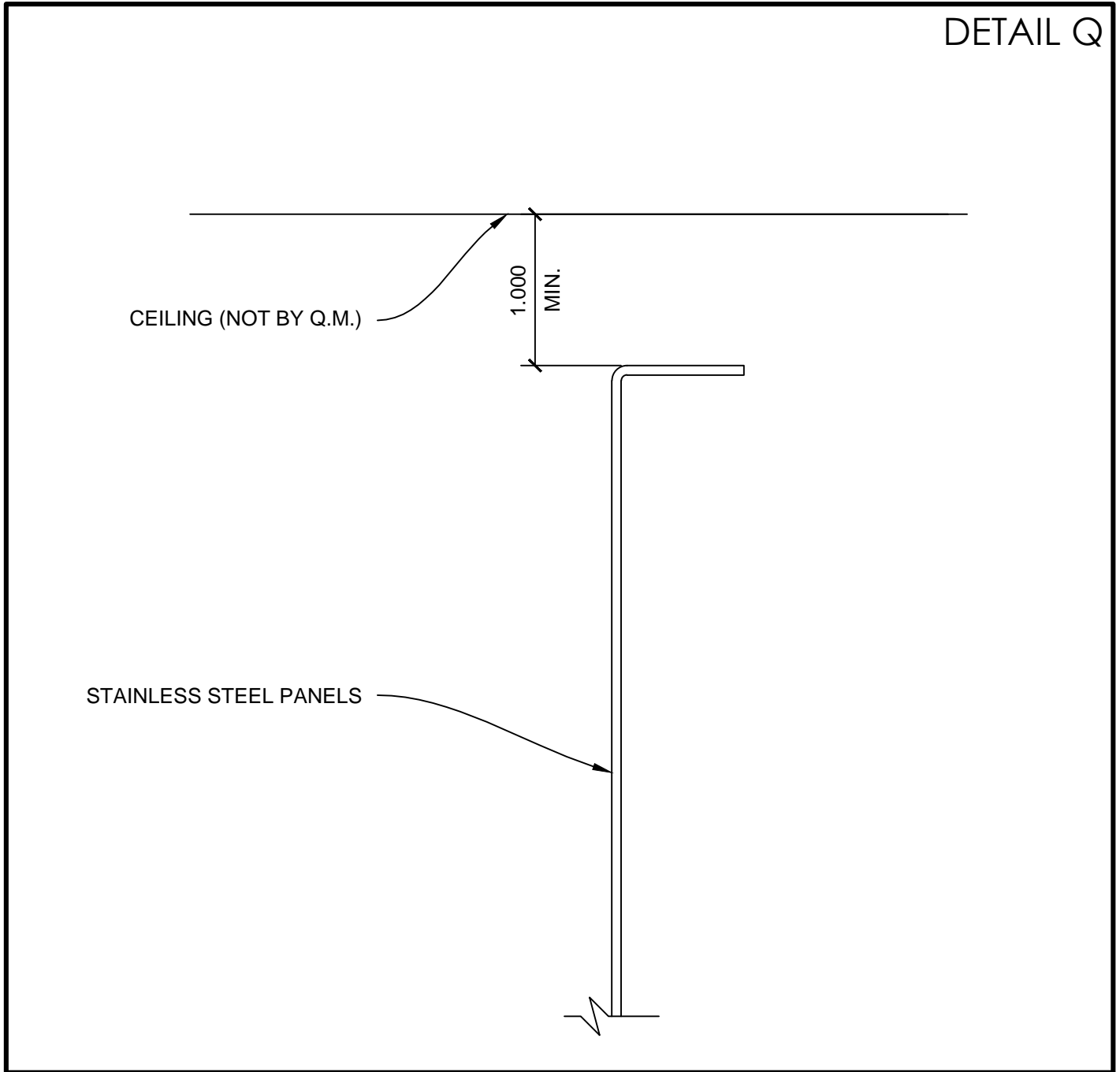
HEAD DETAIL (1)





AC-20ST

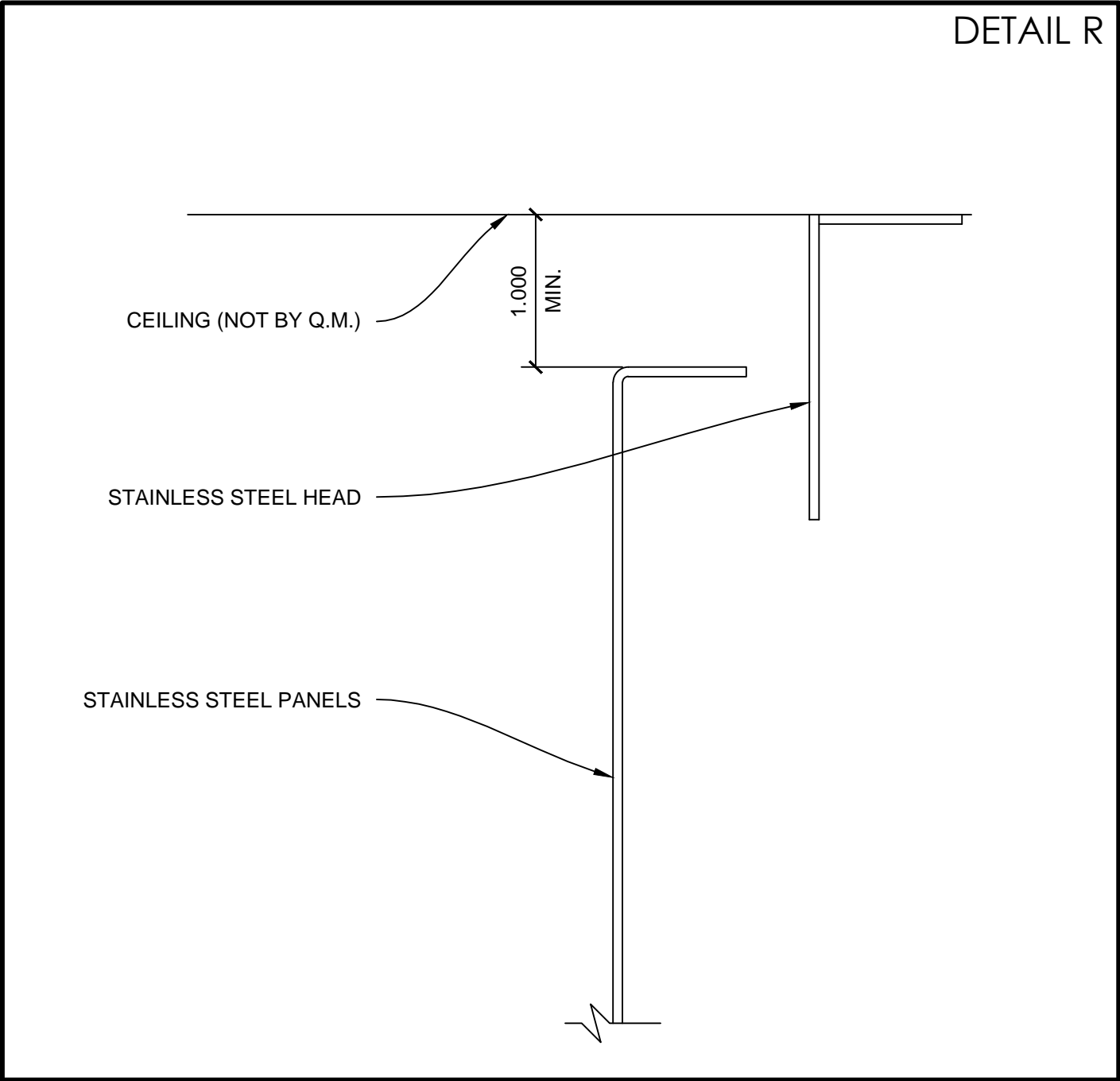
HEAD DETAIL (2)





AC-20ST

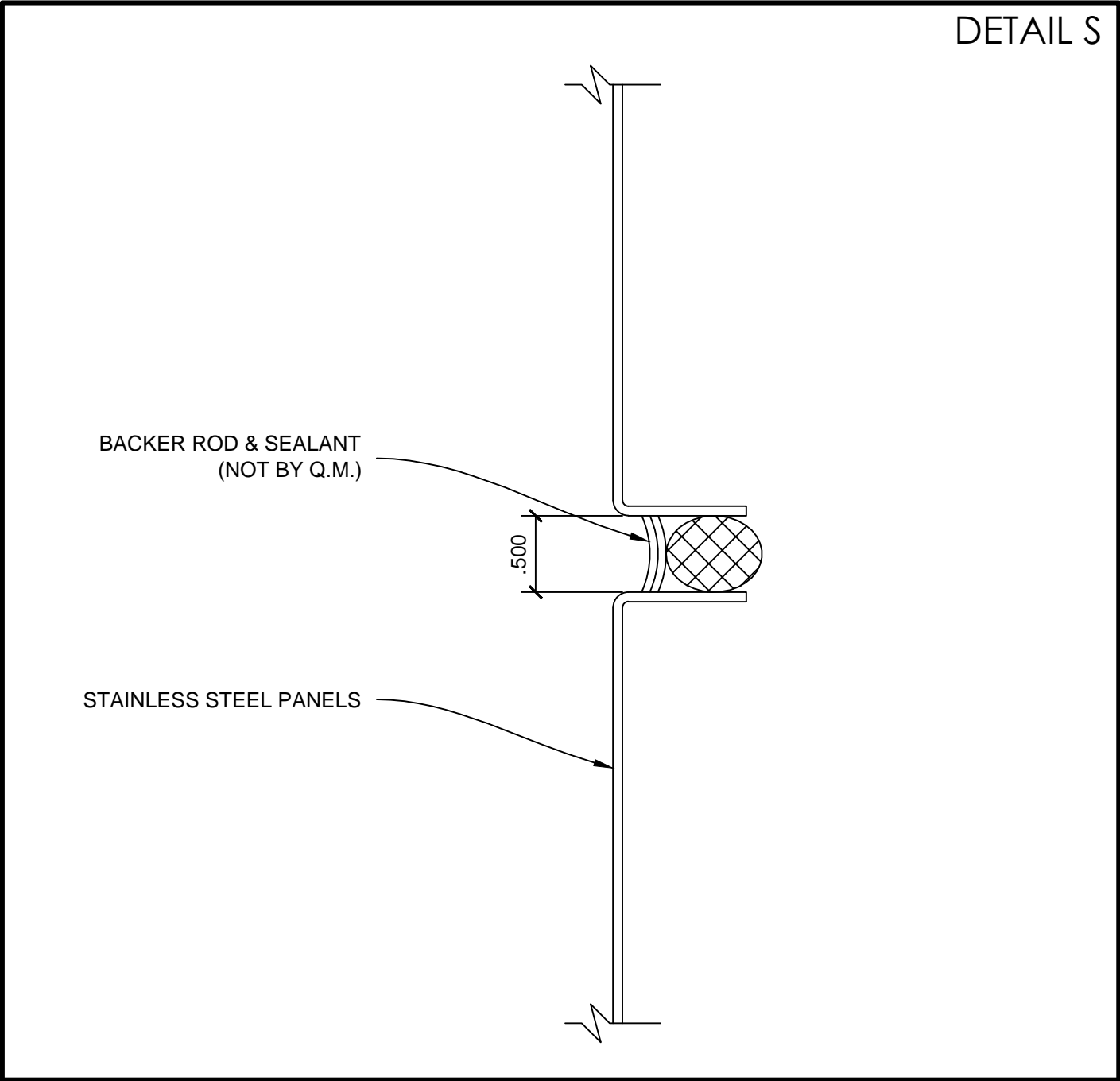
HEAD DETAIL (3)



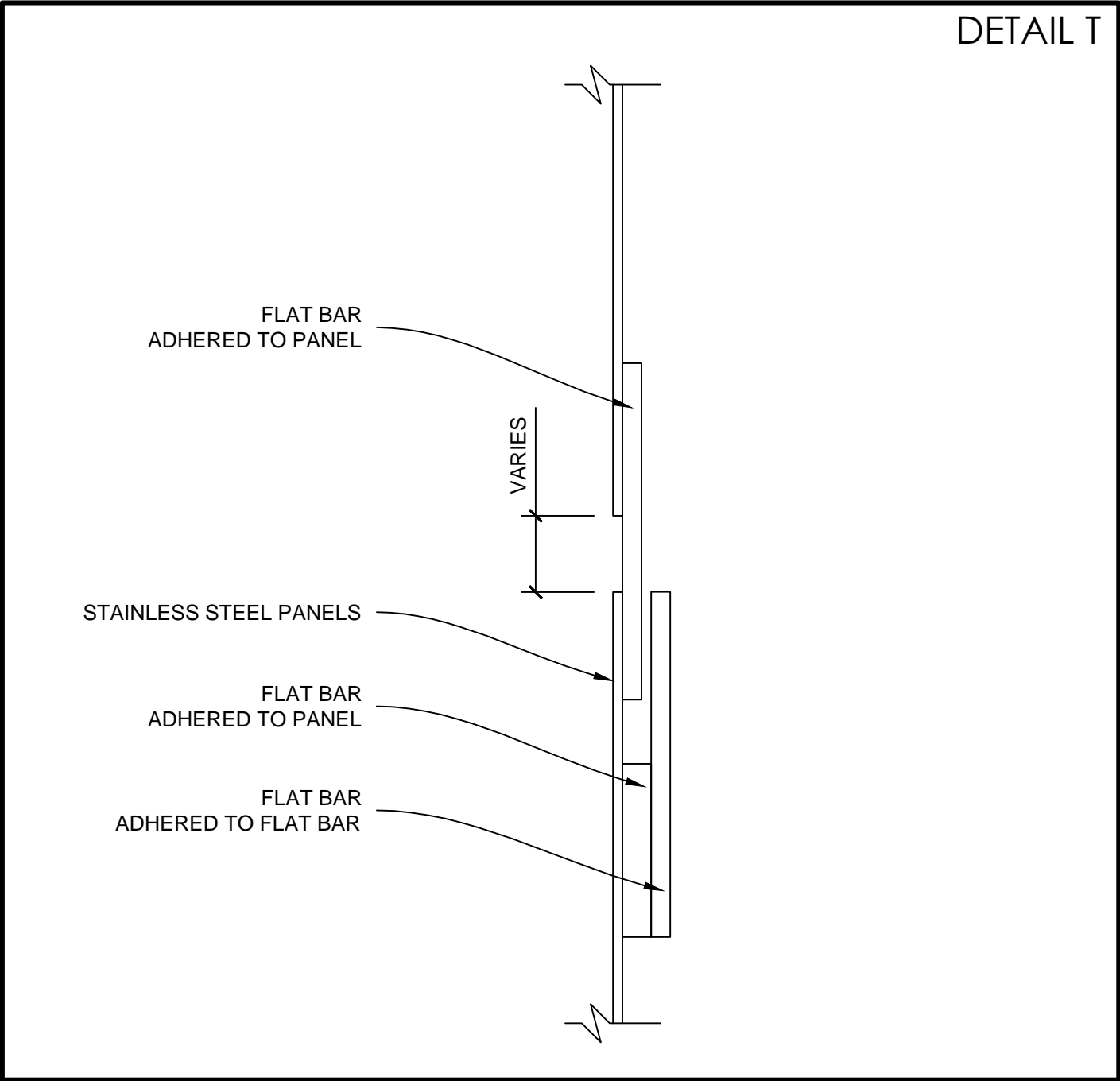


AC-20ST

INTERMEDIATE DETAIL (1)



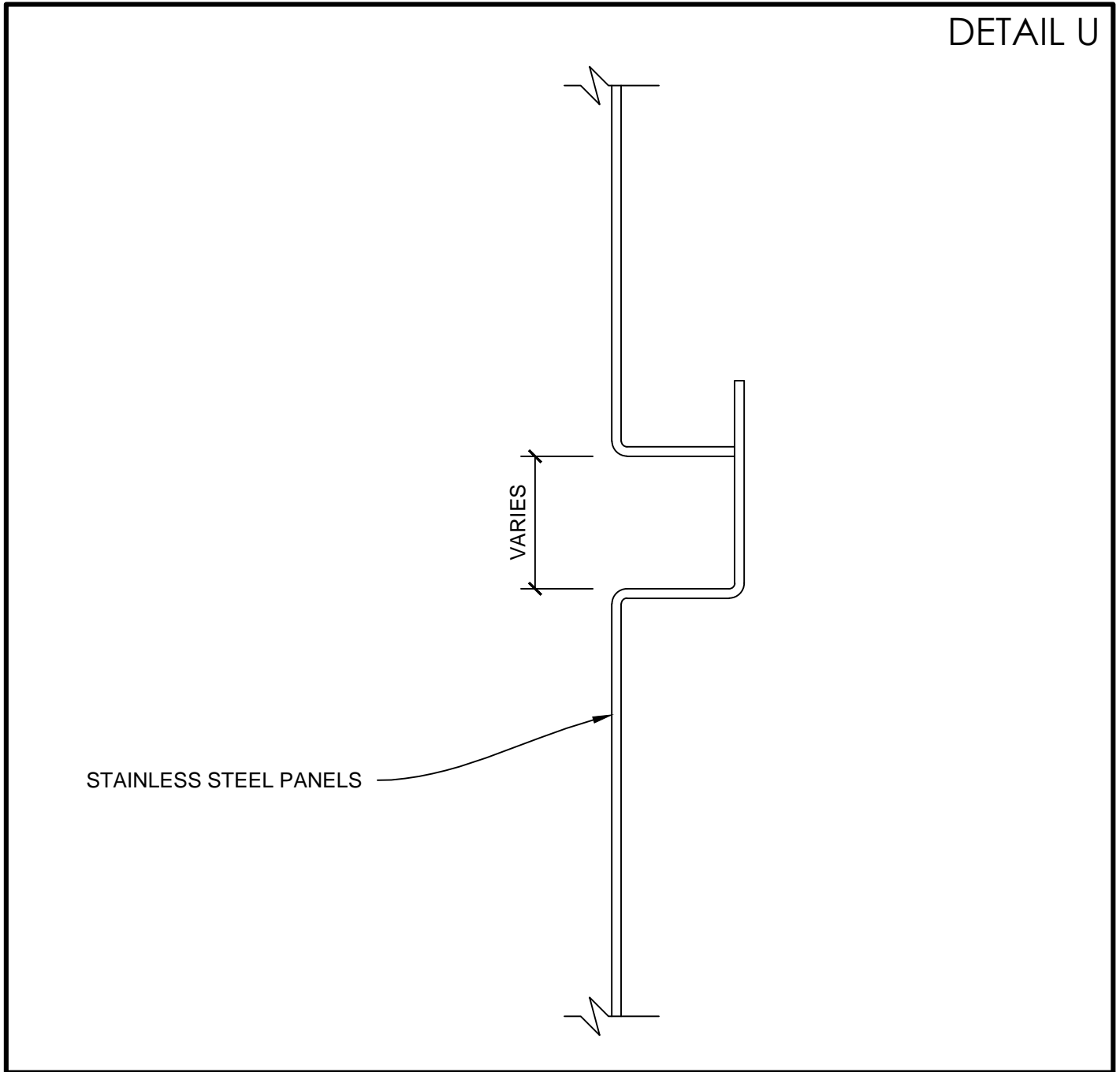
INTERMEDIATE DETAIL (2)





AC-20ST

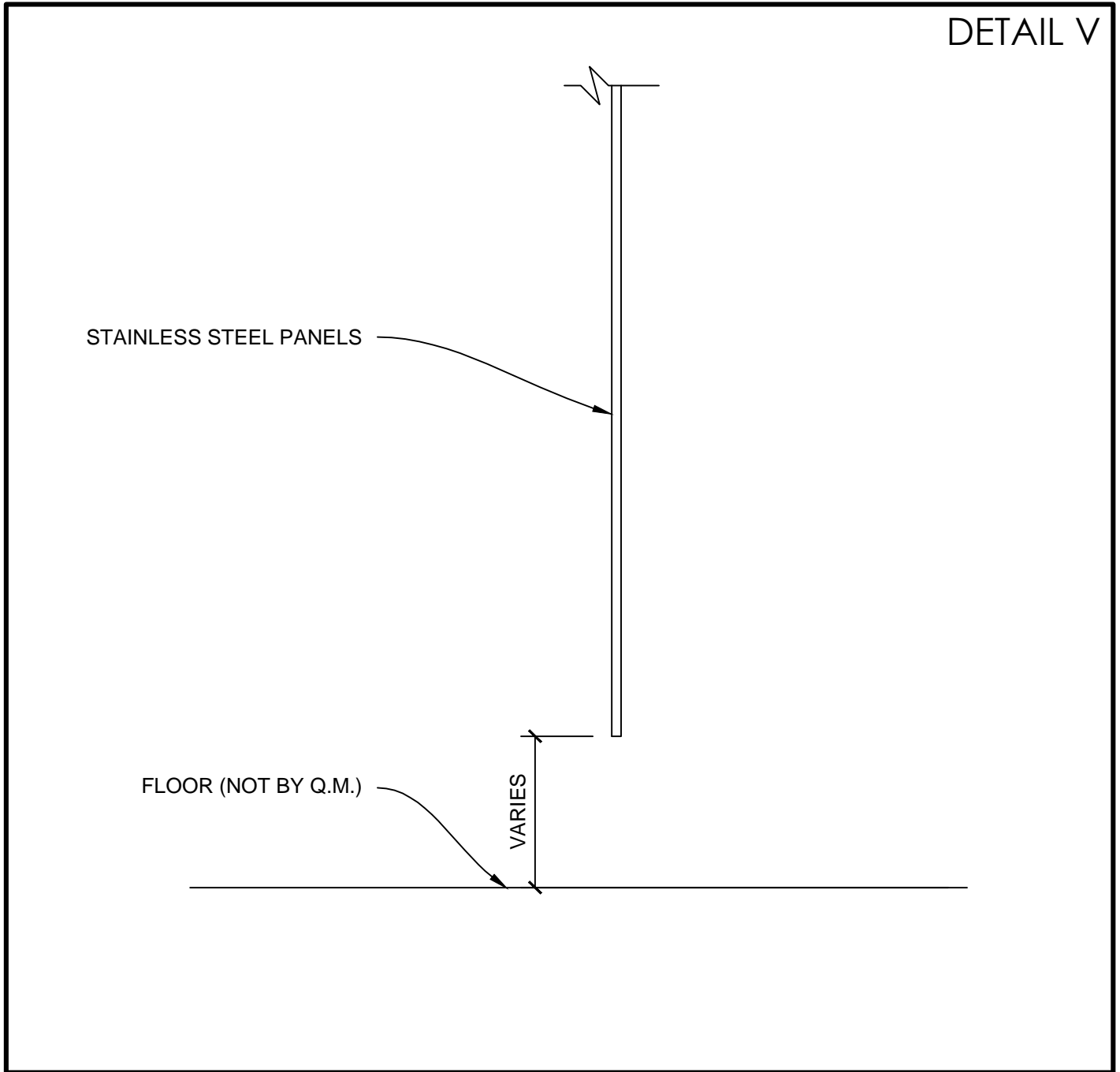
INTERMEDIATE DETAIL (3)





AC-20ST

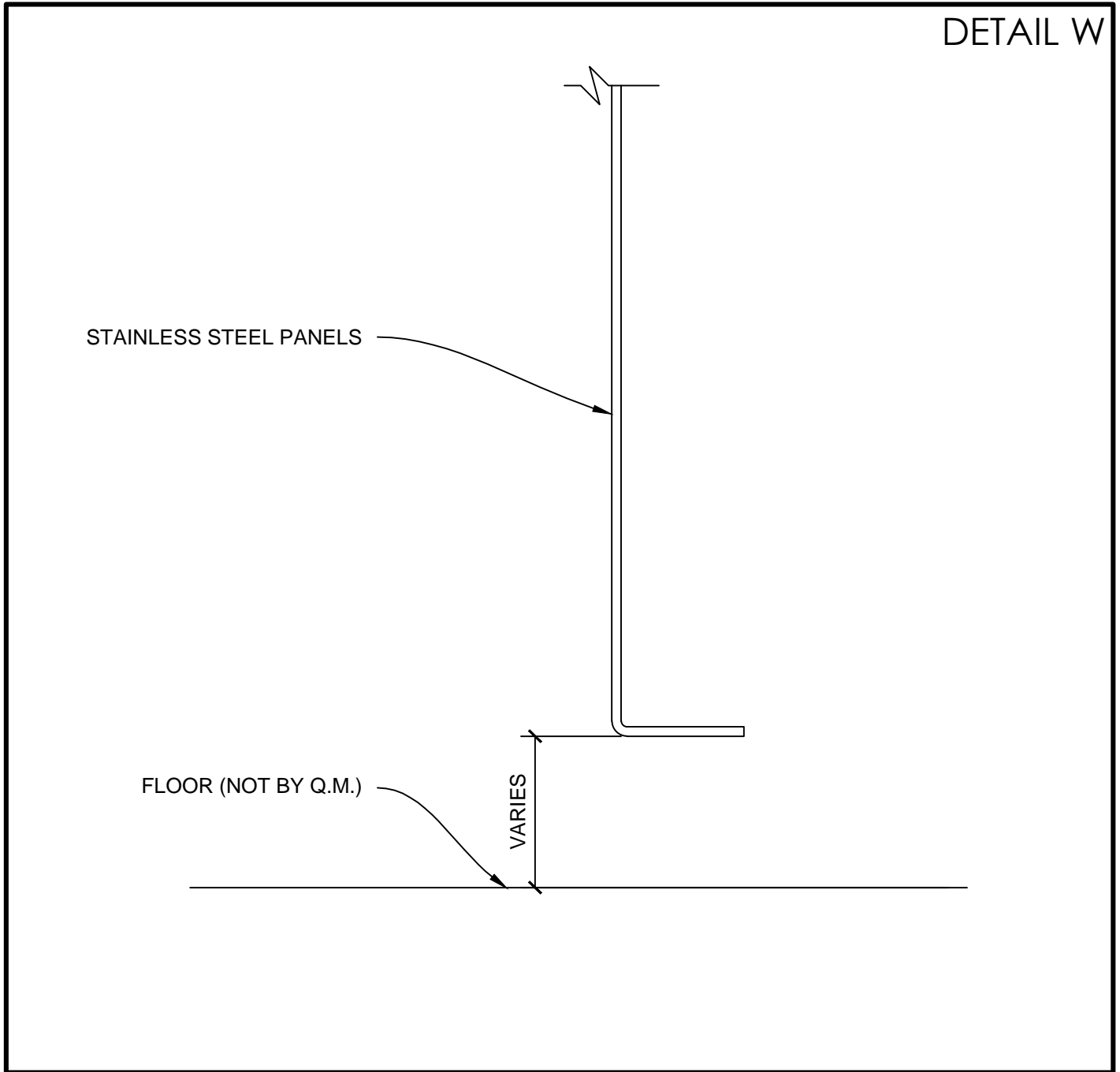
BASE DETAIL (1)





AC-20ST

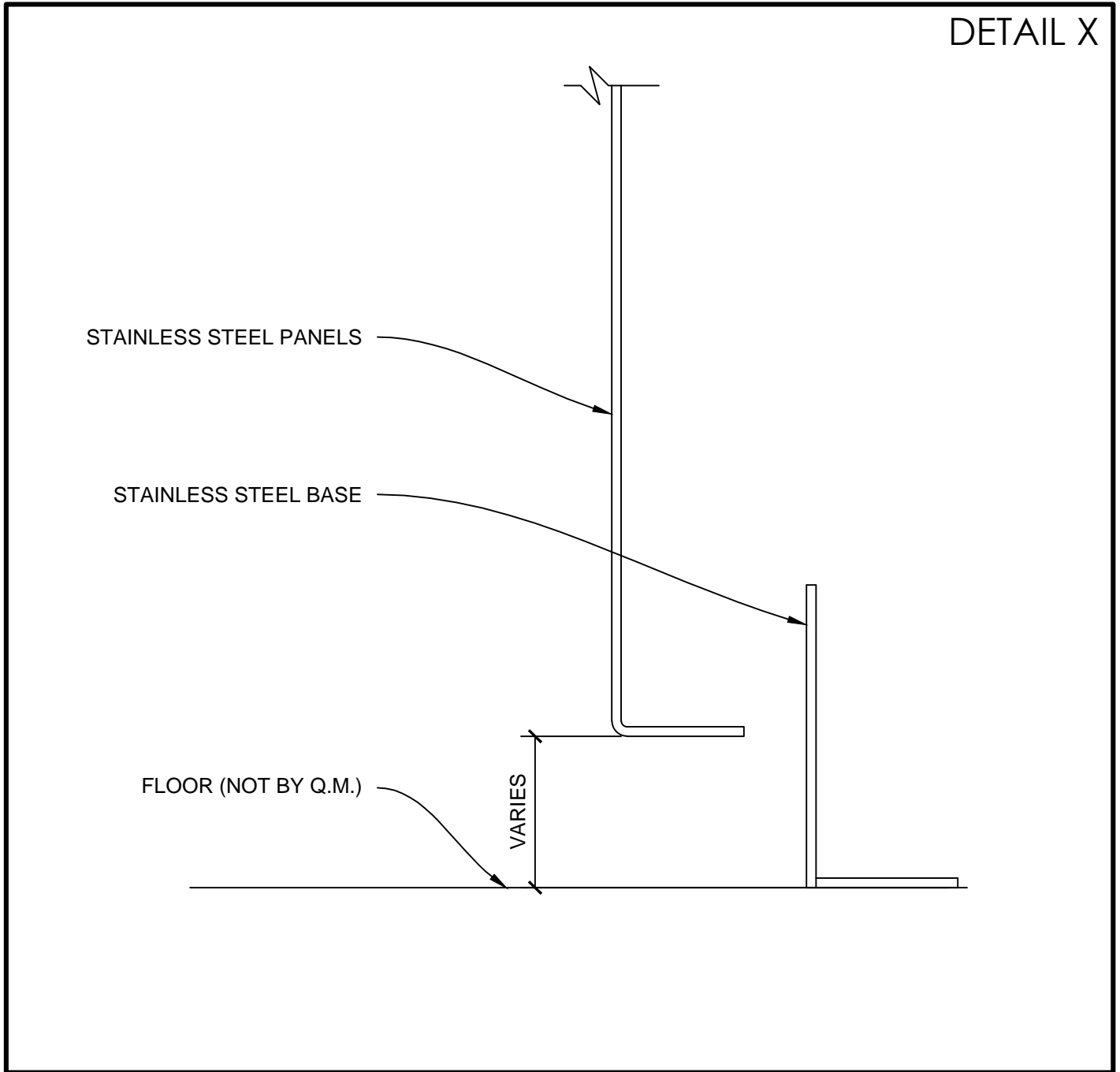
BASE DETAIL (2)





AC-20ST

BASE DETAIL (3)



STAINLESS STEEL COLUMN COVER (HAIRLINE JOINT)
INSTALLATION GUIDE

