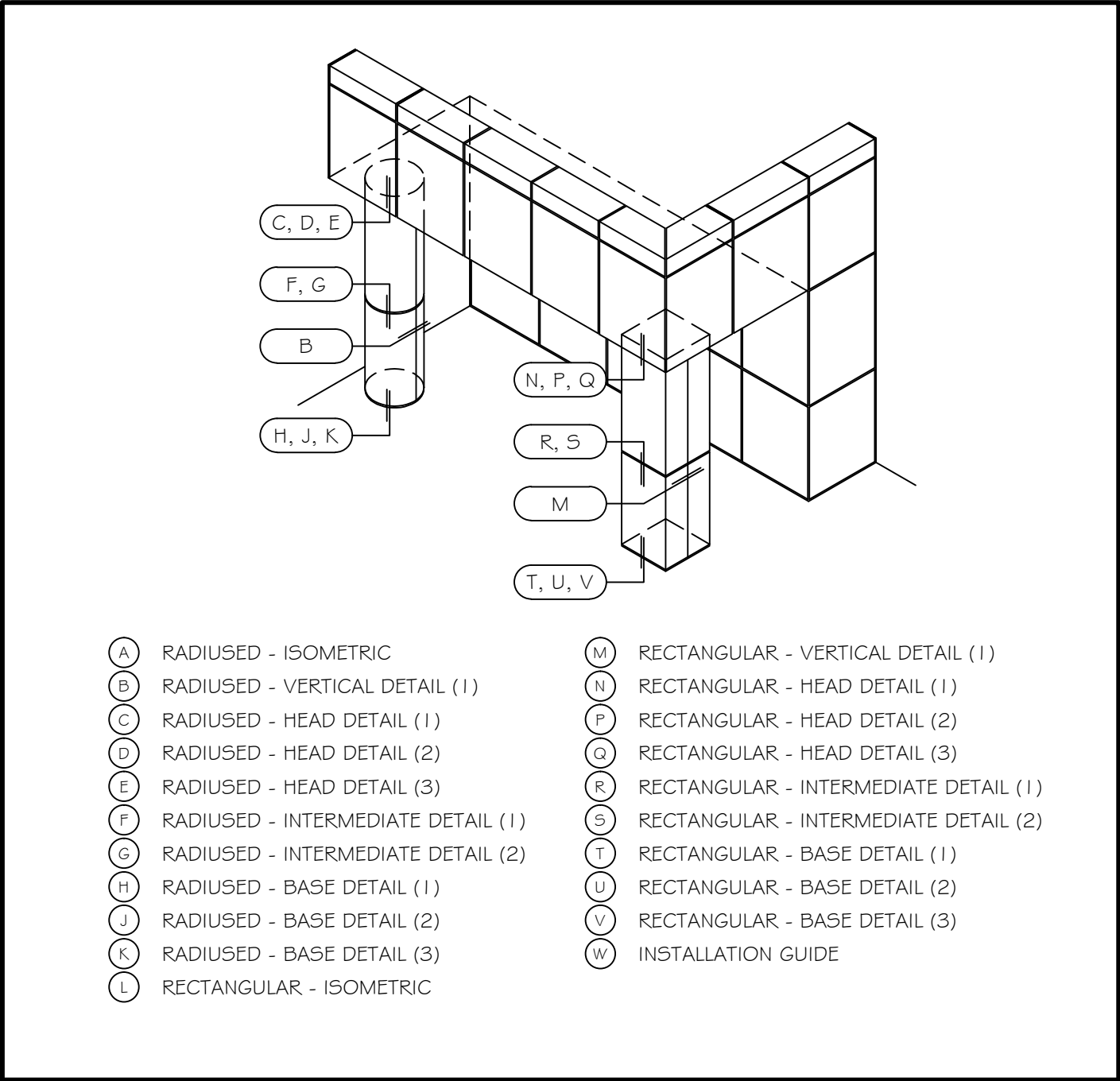


COMPOSITE COLUMN COVER (HAIRLINE JOINT)

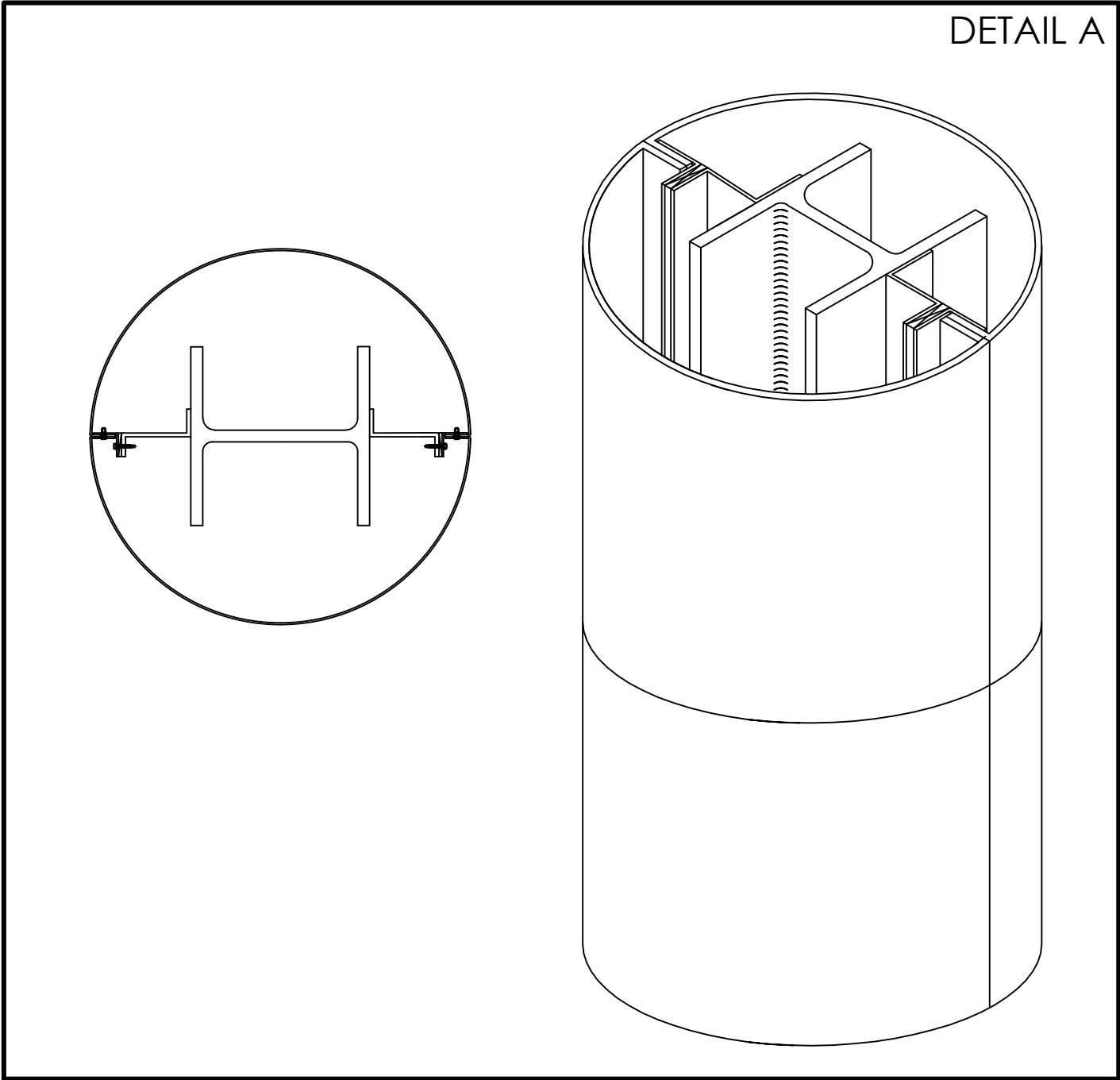


- |   |   |
|---|---|
| (A) RADIUSSED - ISOMETRIC               | (M) RECTANGULAR - VERTICAL DETAIL (1)     |
| (B) RADIUSSED - VERTICAL DETAIL (1)     | (N) RECTANGULAR - HEAD DETAIL (1)         |
| (C) RADIUSSED - HEAD DETAIL (1)         | (P) RECTANGULAR - HEAD DETAIL (2)         |
| (D) RADIUSSED - HEAD DETAIL (2)         | (Q) RECTANGULAR - HEAD DETAIL (3)         |
| (E) RADIUSSED - HEAD DETAIL (3)         | (R) RECTANGULAR - INTERMEDIATE DETAIL (1) |
| (F) RADIUSSED - INTERMEDIATE DETAIL (1) | (S) RECTANGULAR - INTERMEDIATE DETAIL (2) |
| (G) RADIUSSED - INTERMEDIATE DETAIL (2) | (T) RECTANGULAR - BASE DETAIL (1)         |
| (H) RADIUSSED - BASE DETAIL (1)         | (U) RECTANGULAR - BASE DETAIL (2)         |
| (J) RADIUSSED - BASE DETAIL (2)         | (V) RECTANGULAR - BASE DETAIL (3)         |
| (K) RADIUSSED - BASE DETAIL (3)         | (W) INSTALLATION GUIDE                    |
| (L) RECTANGULAR - ISOMETRIC             |   |

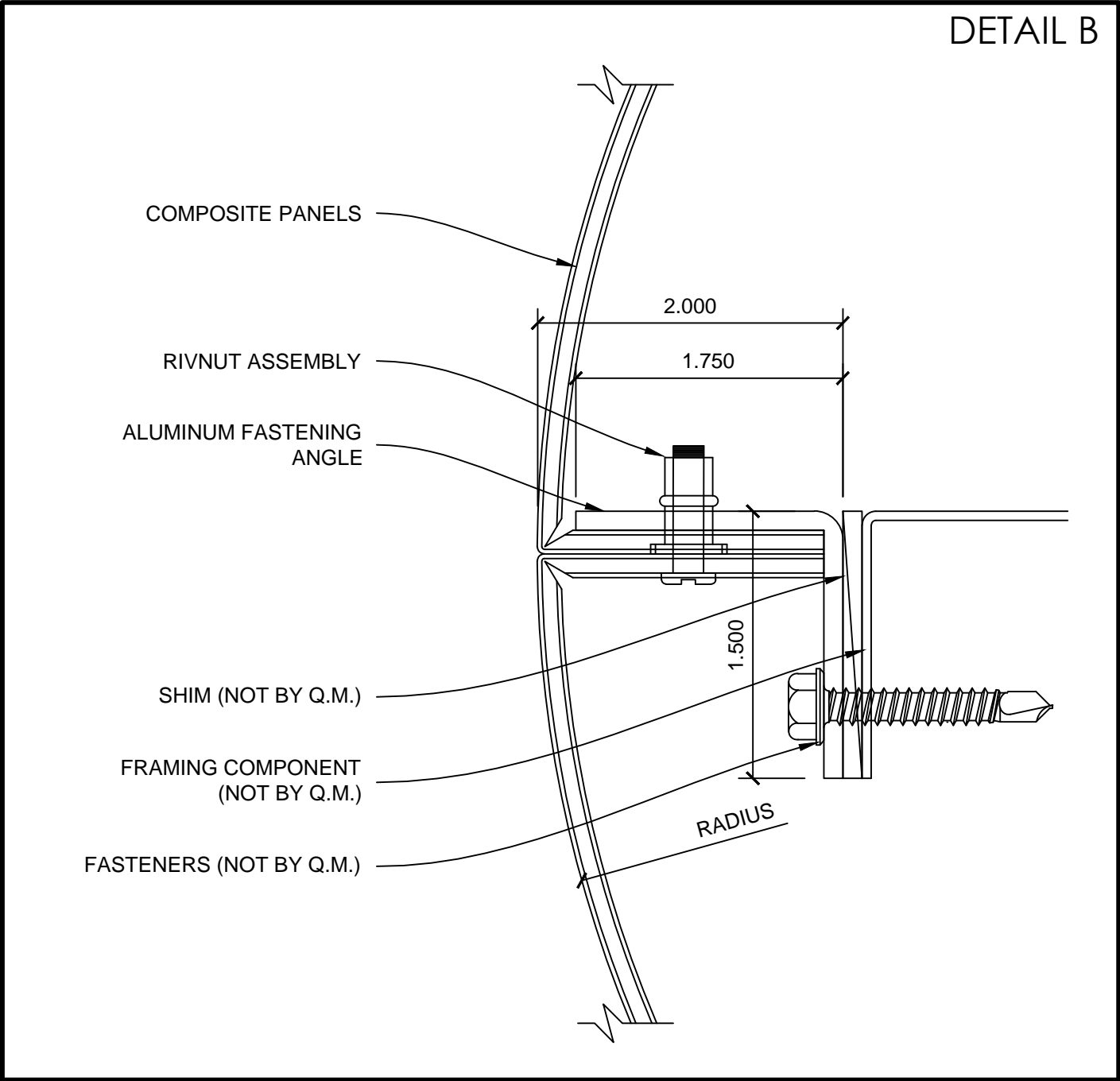


AC-20P

ISOMETRIC



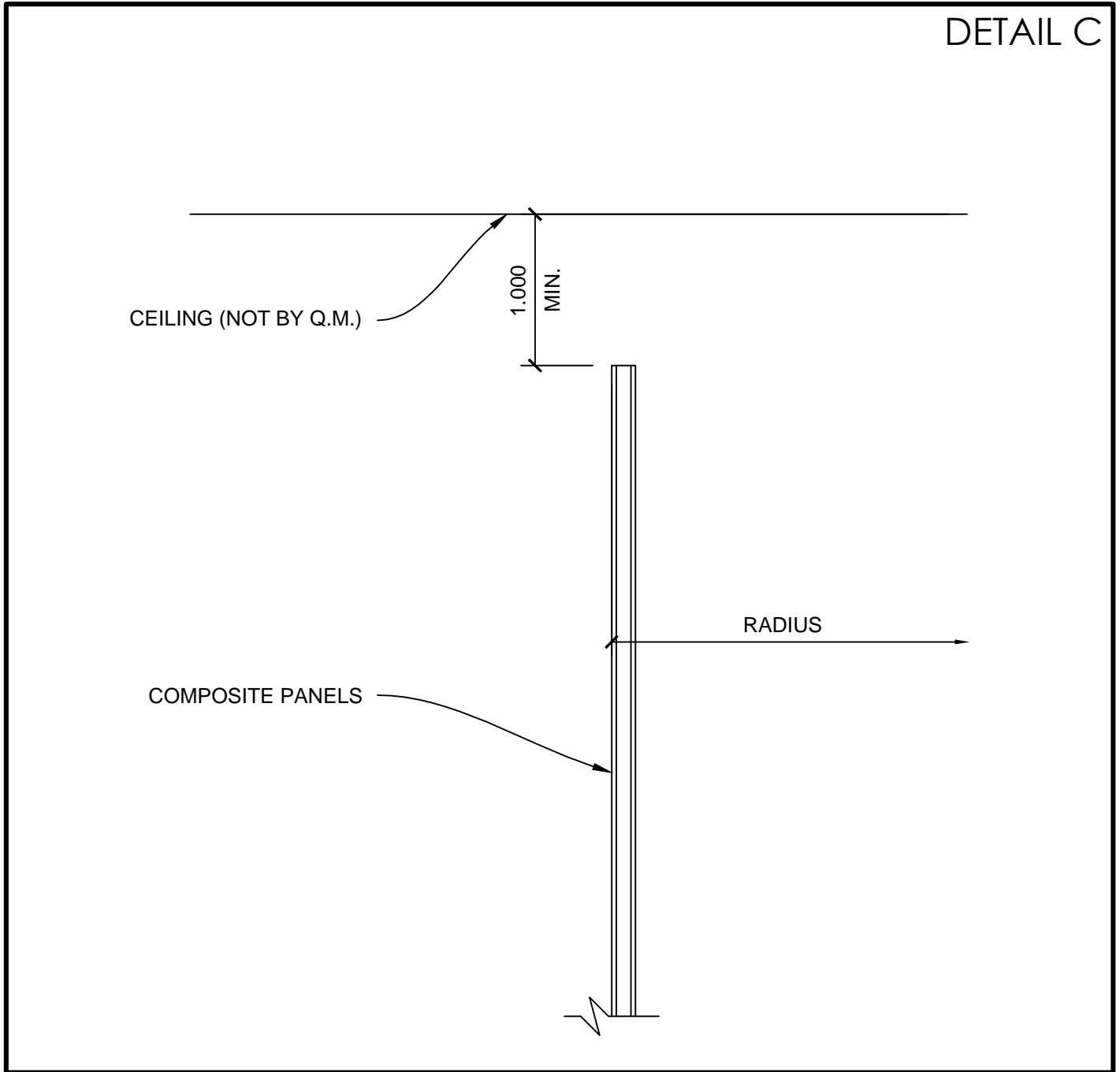
VERTICAL DETAIL (1)





AC-20C

HEAD DETAIL (1)

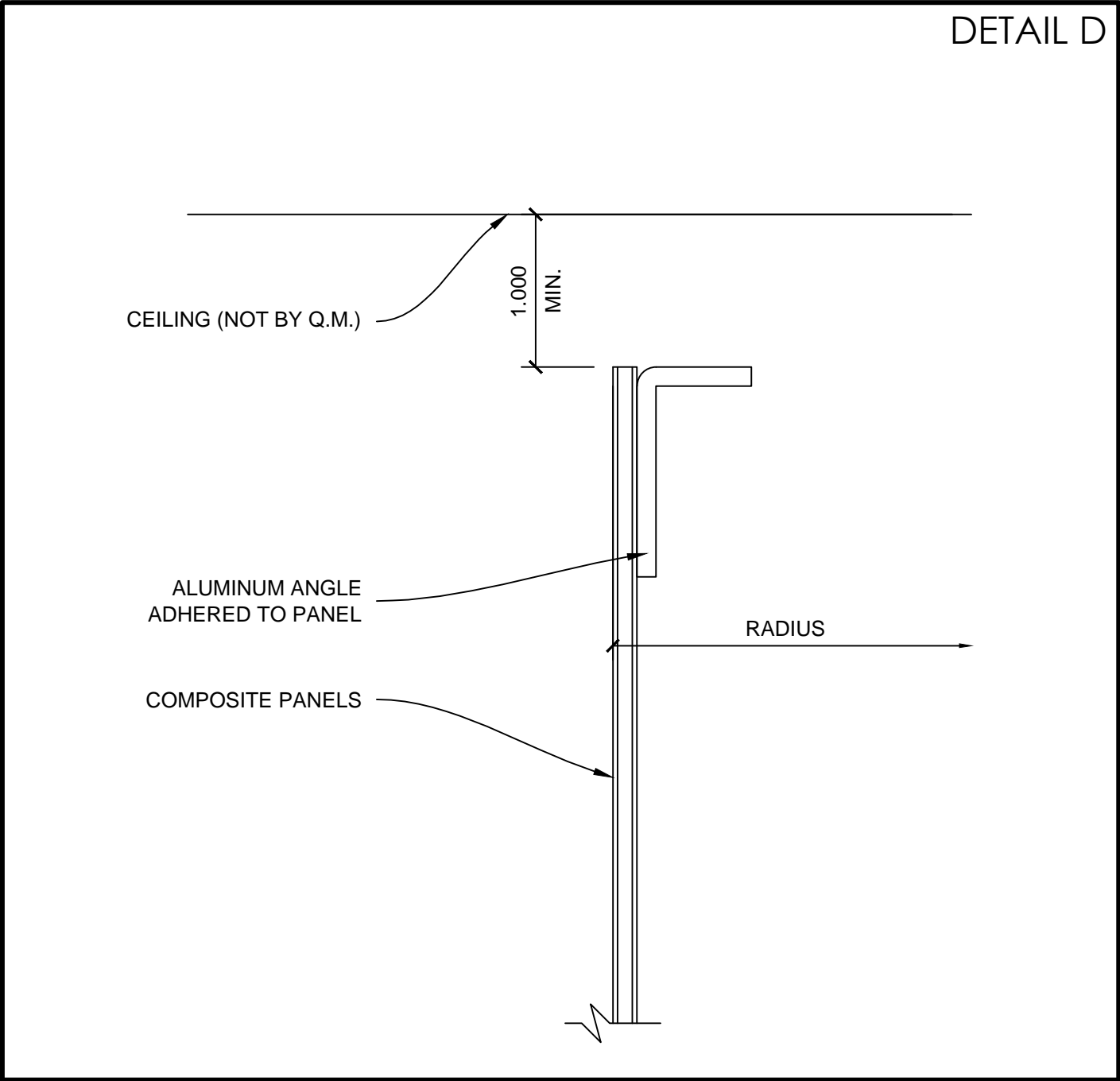


DETAIL C

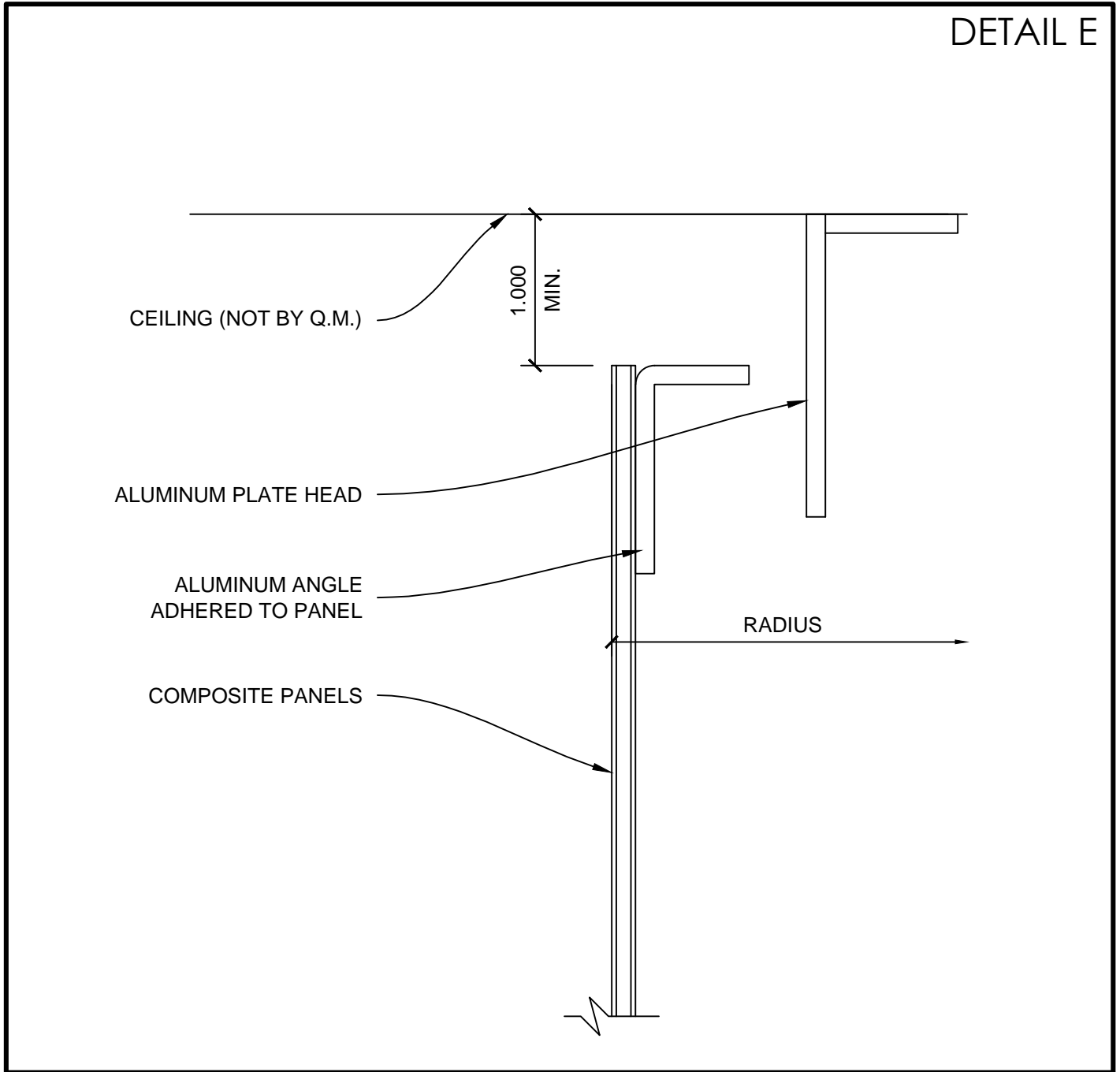


AC-20C

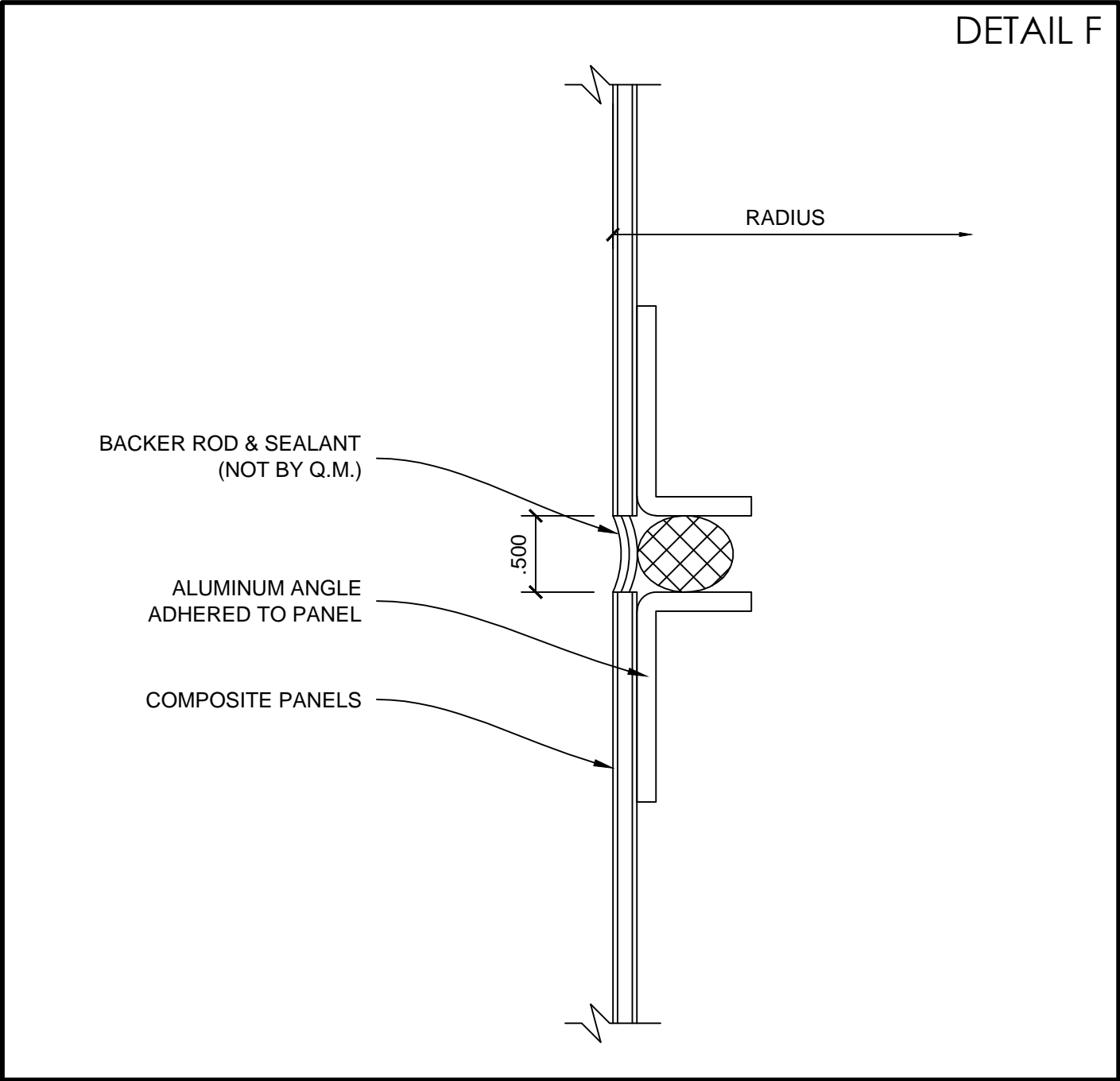
HEAD DETAIL (2)



HEAD DETAIL (3)



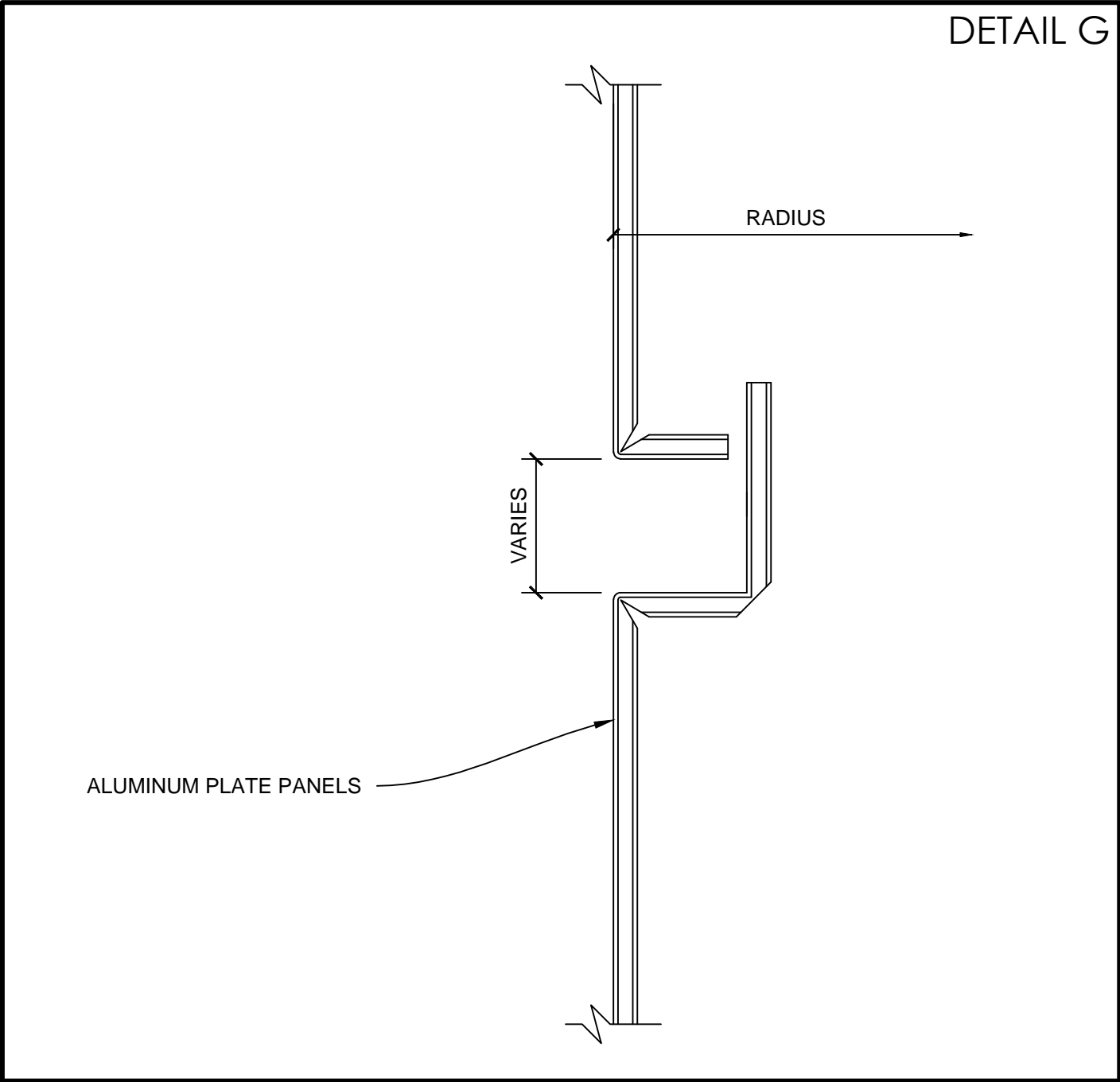
INTERMEDIATE DETAIL (1)





AC-20C

INTERMEDIATE DETAIL (2)

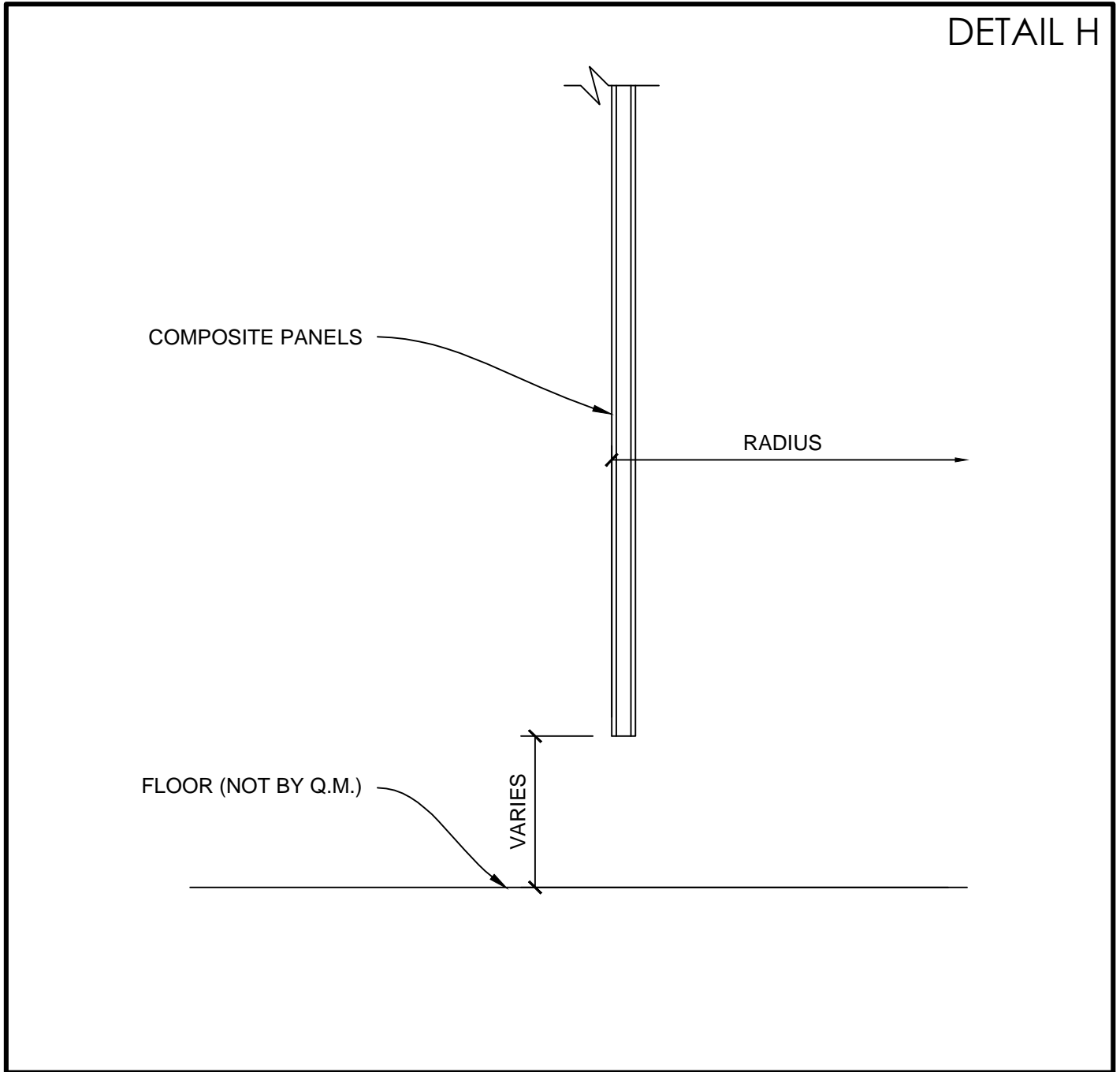






AC-20C

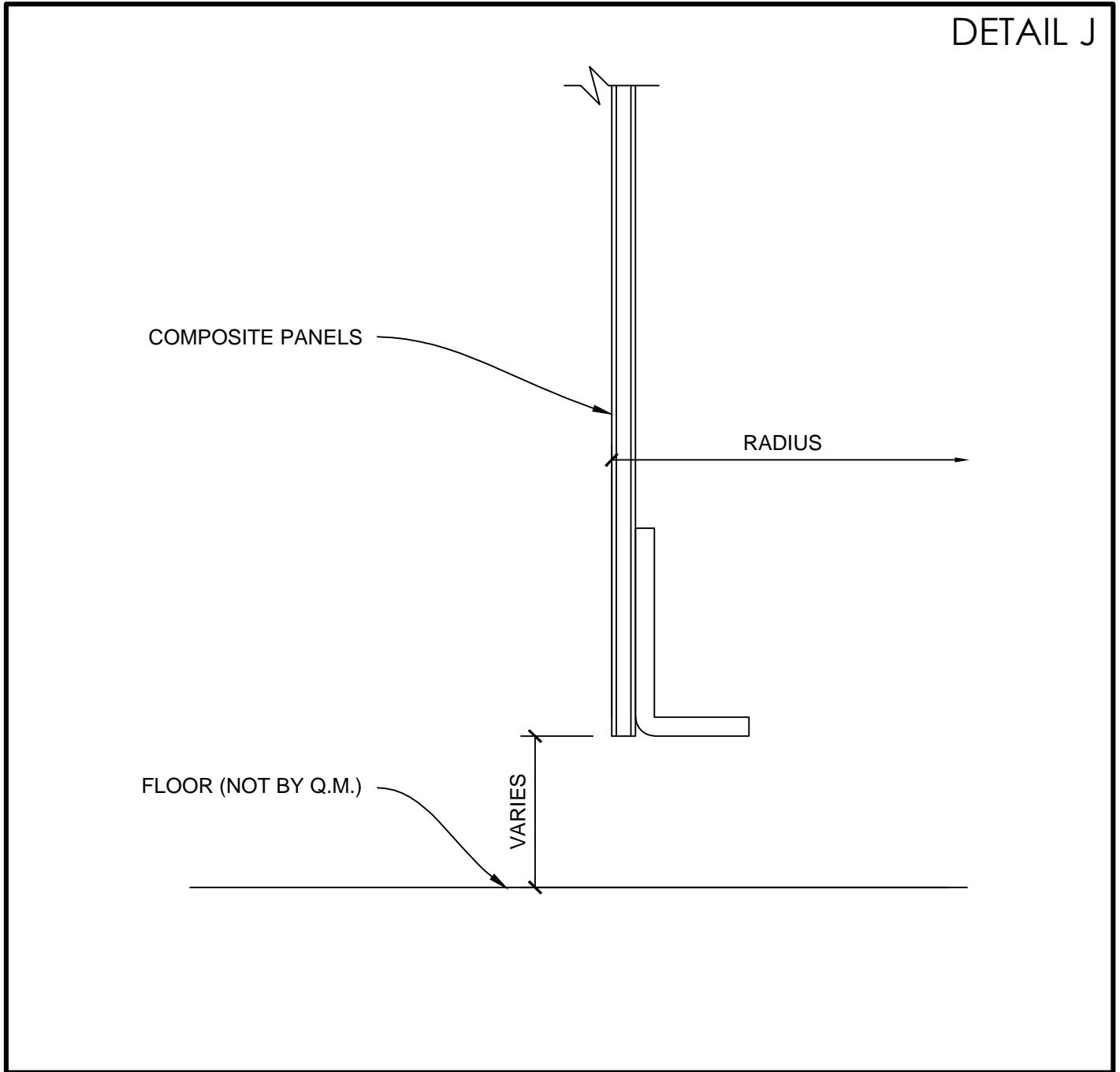
BASE DETAIL (1)



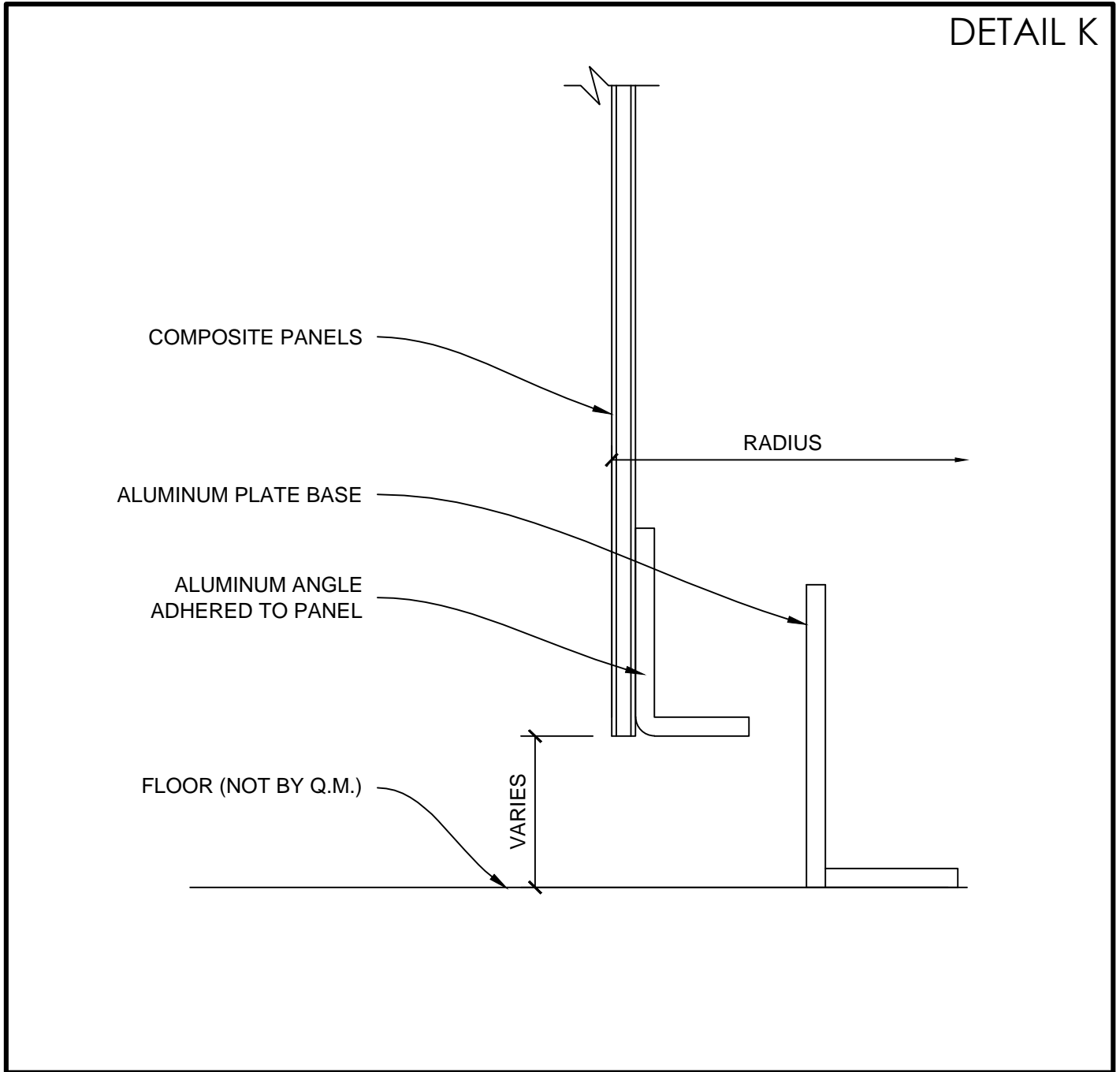


AC-20C

BASE DETAIL (2)

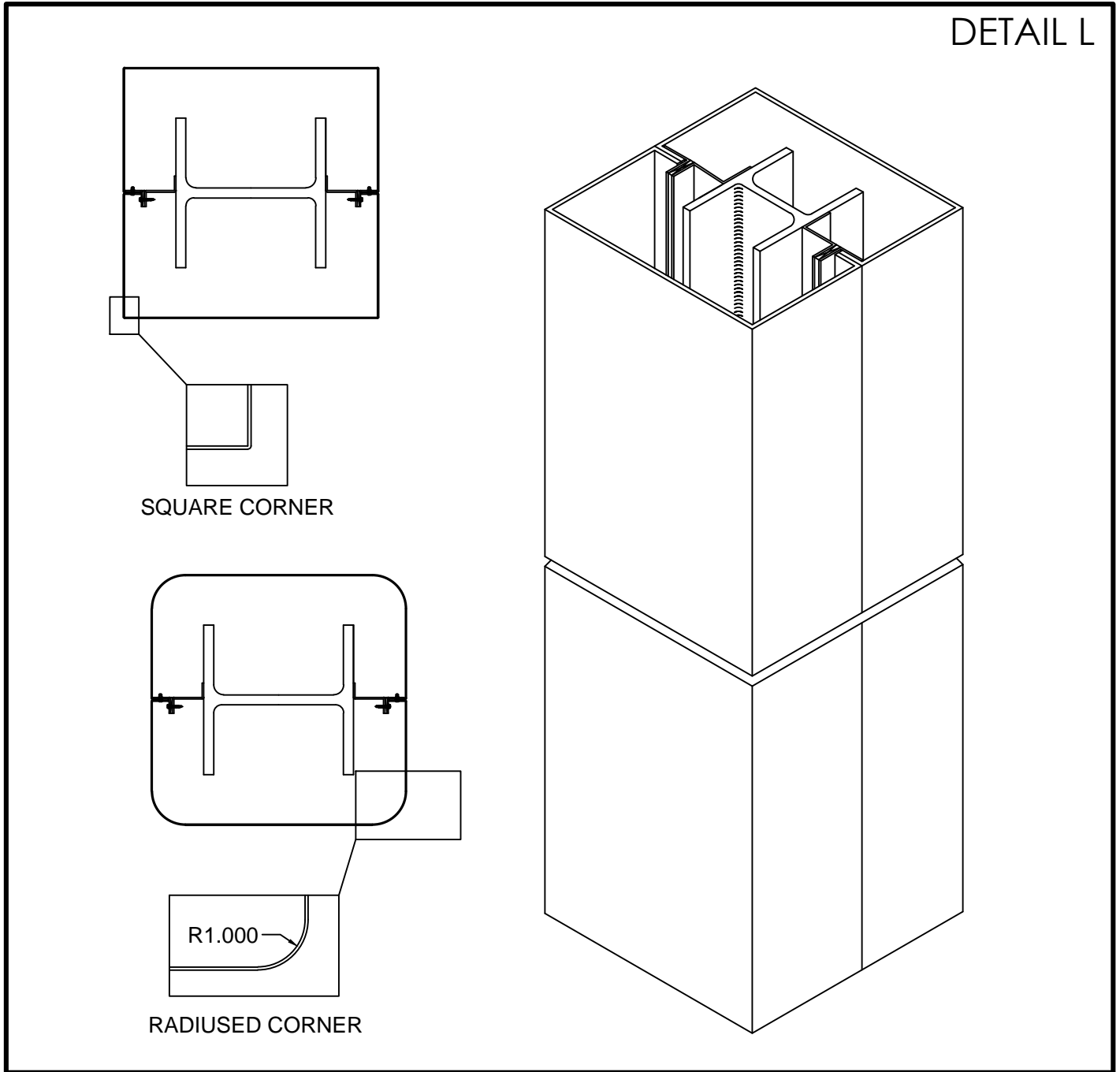


BASE DETAIL (3)

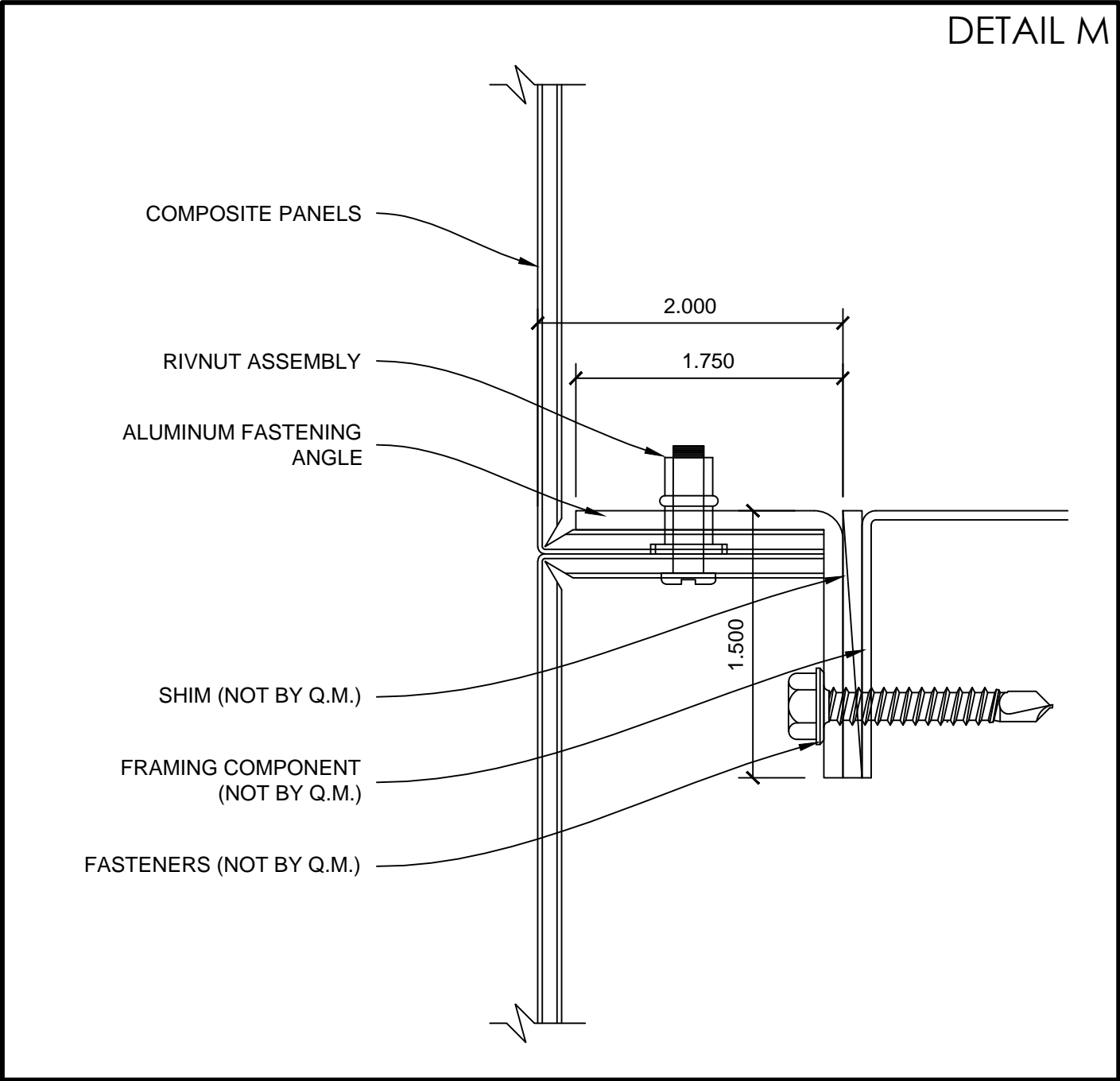


ISOMETRIC

DETAIL L



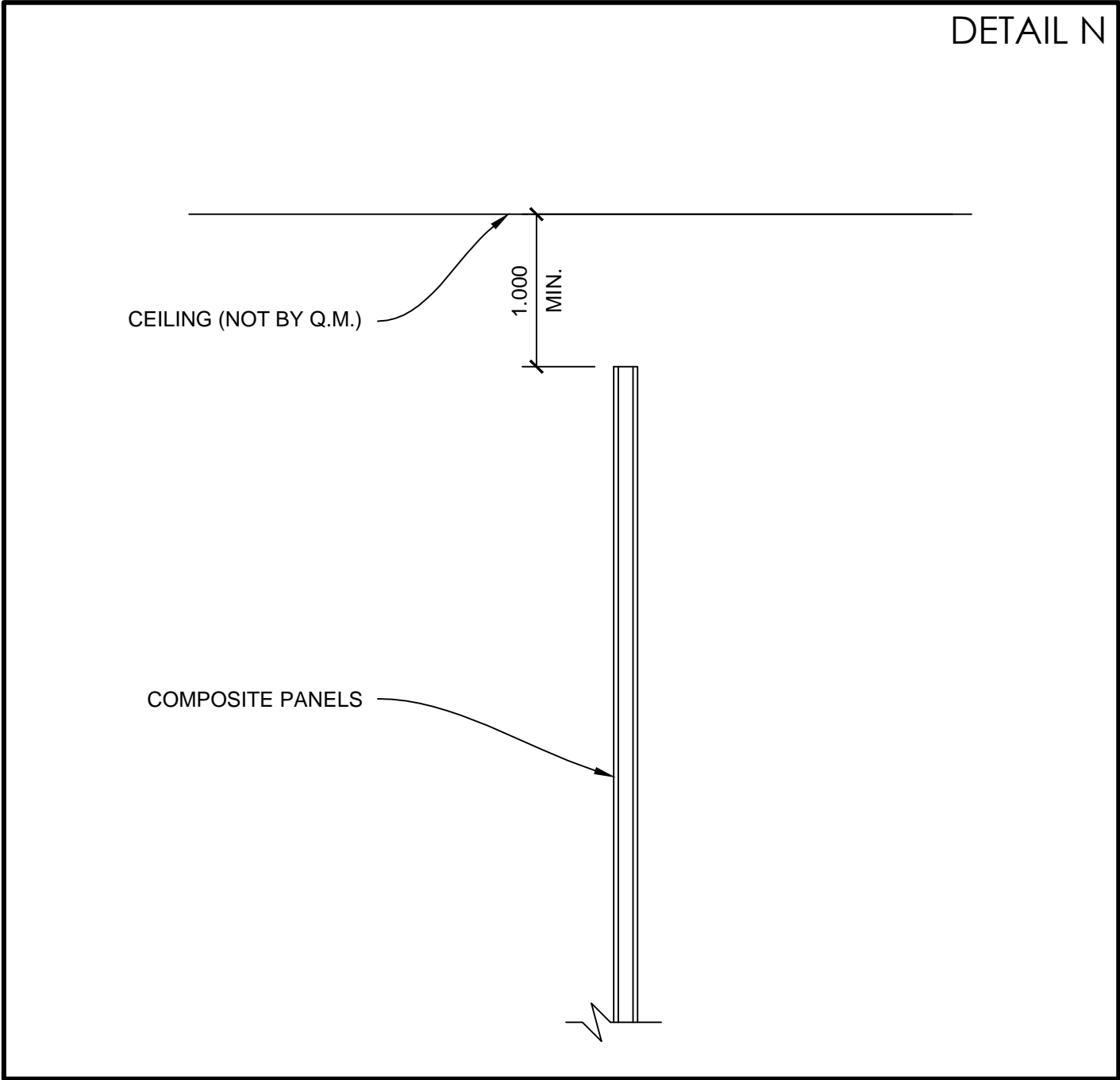
VERTICAL DETAIL (1)





AC-20C

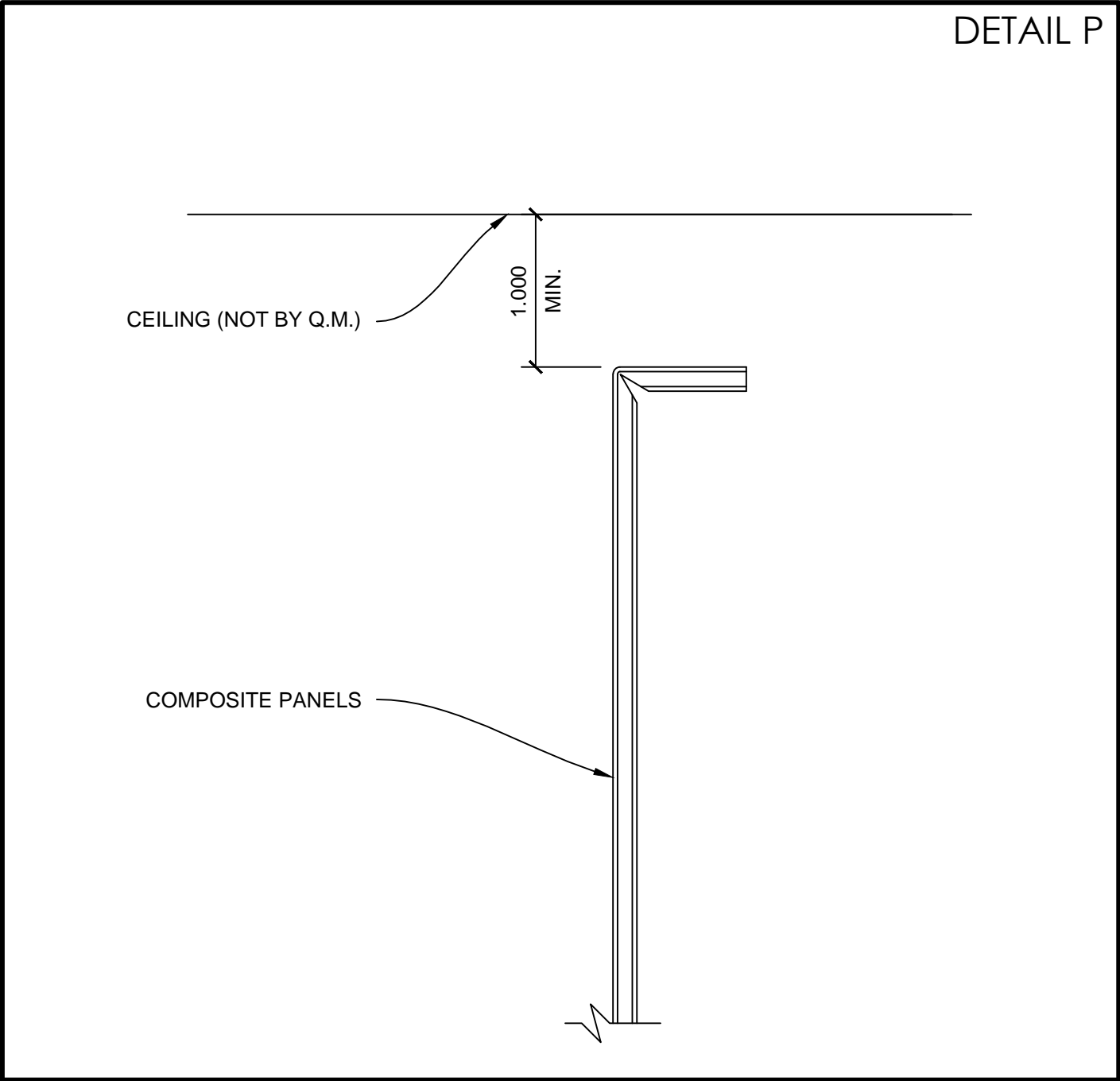
HEAD DETAIL (1)





AC-20C

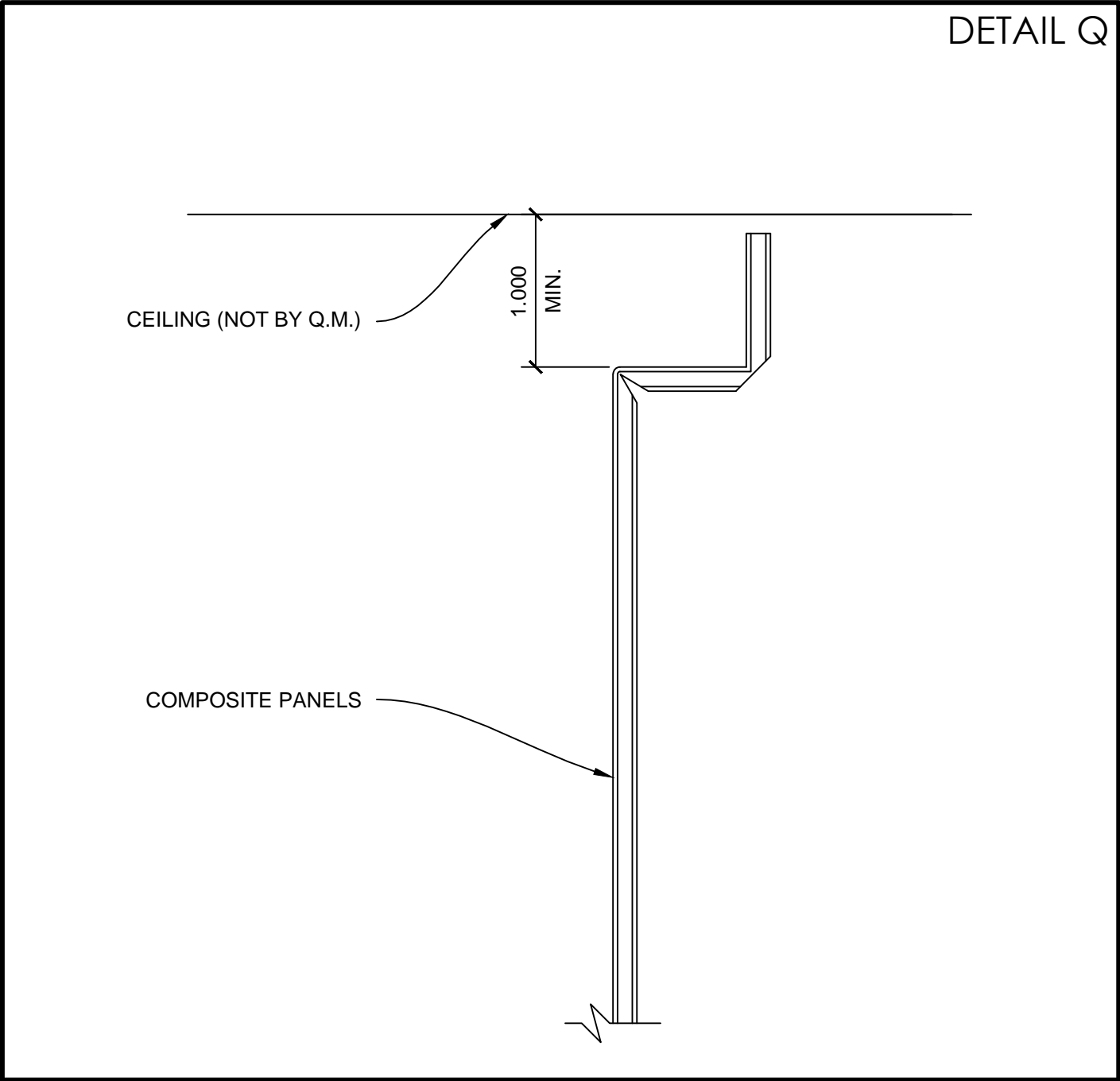
HEAD DETAIL (2)





AC-20C

HEAD DETAIL (3)

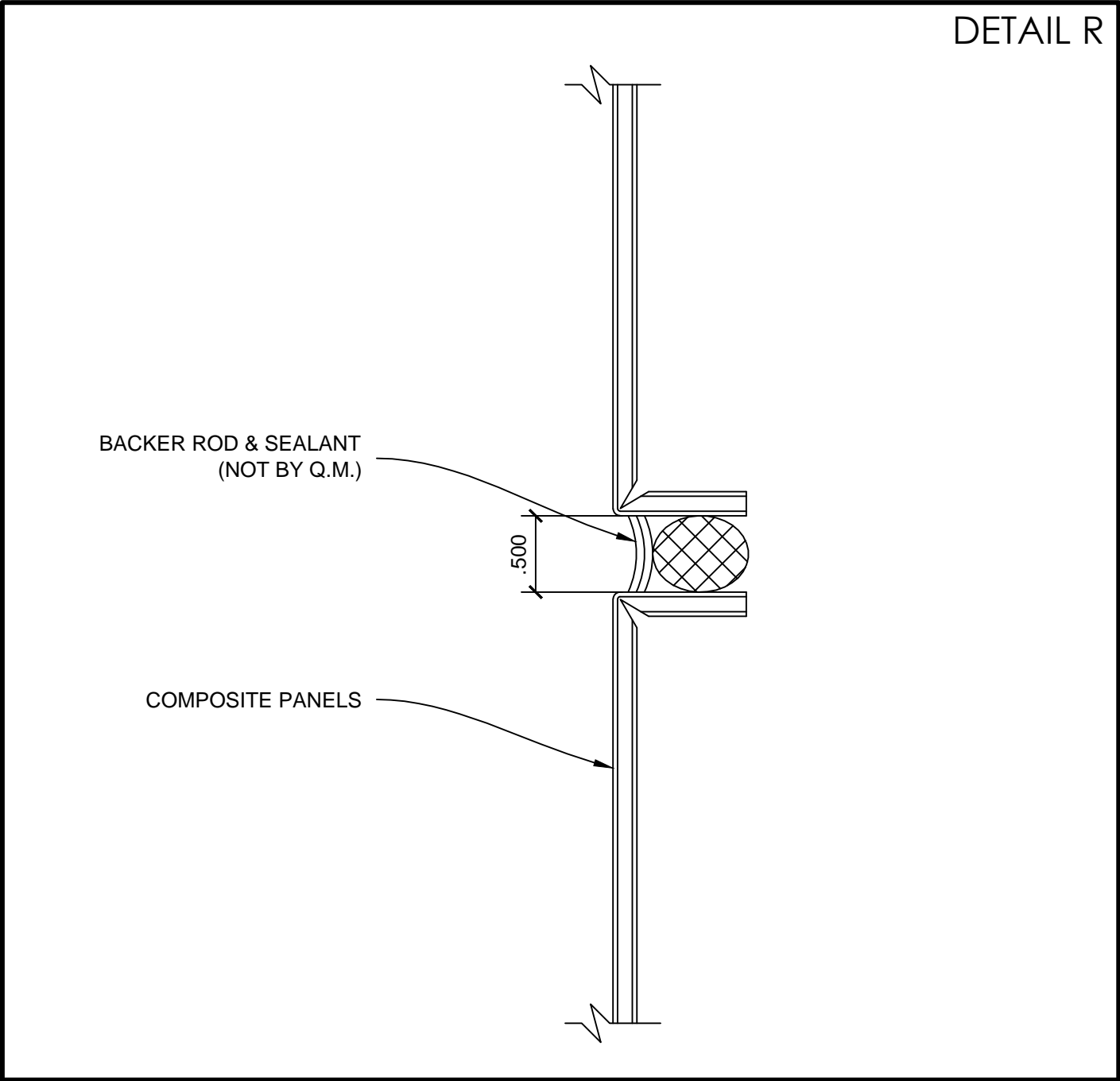






AC-20C

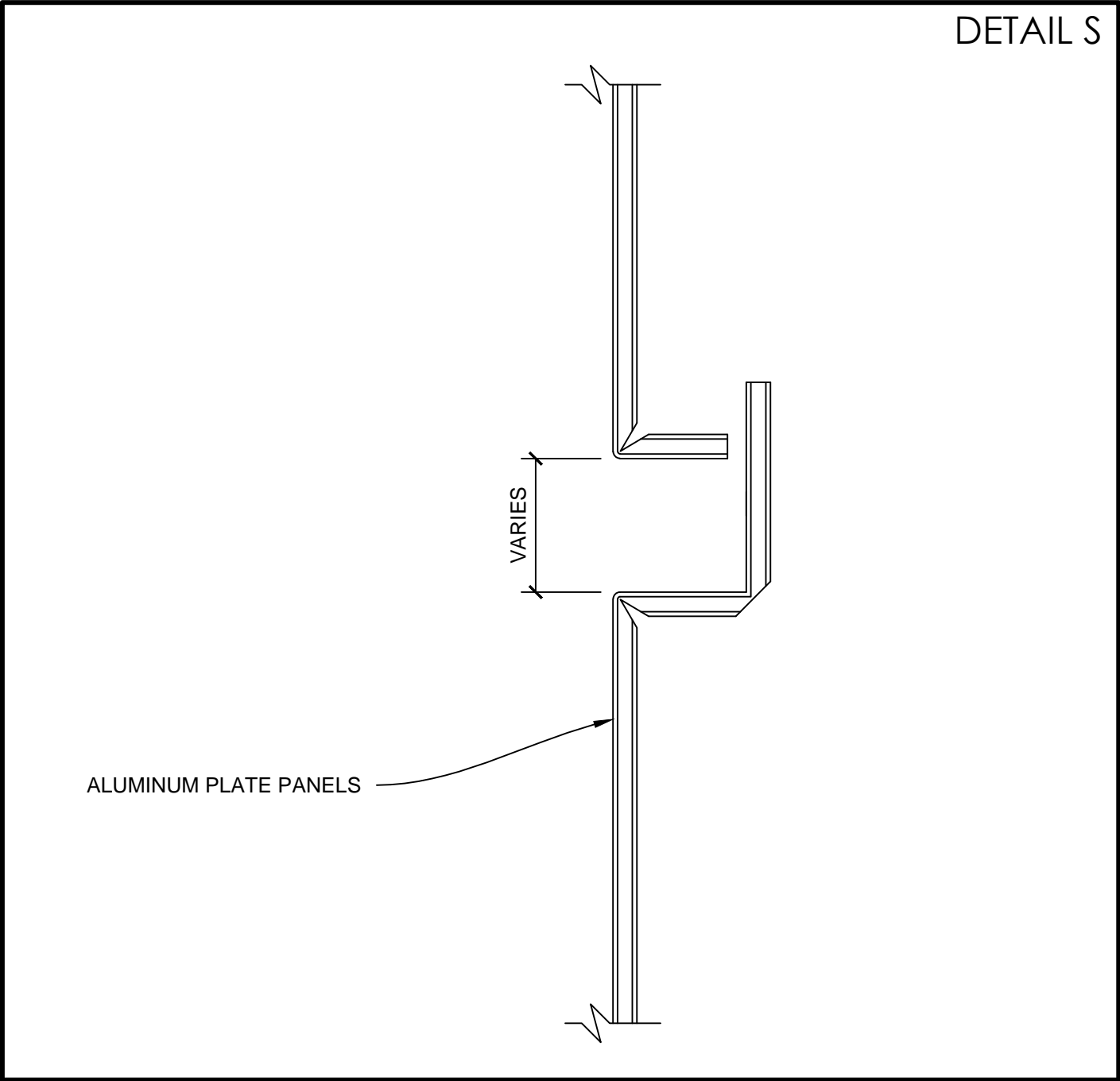
INTERMEDIATE DETAIL (1)





AC-20C

INTERMEDIATE DETAIL (3)

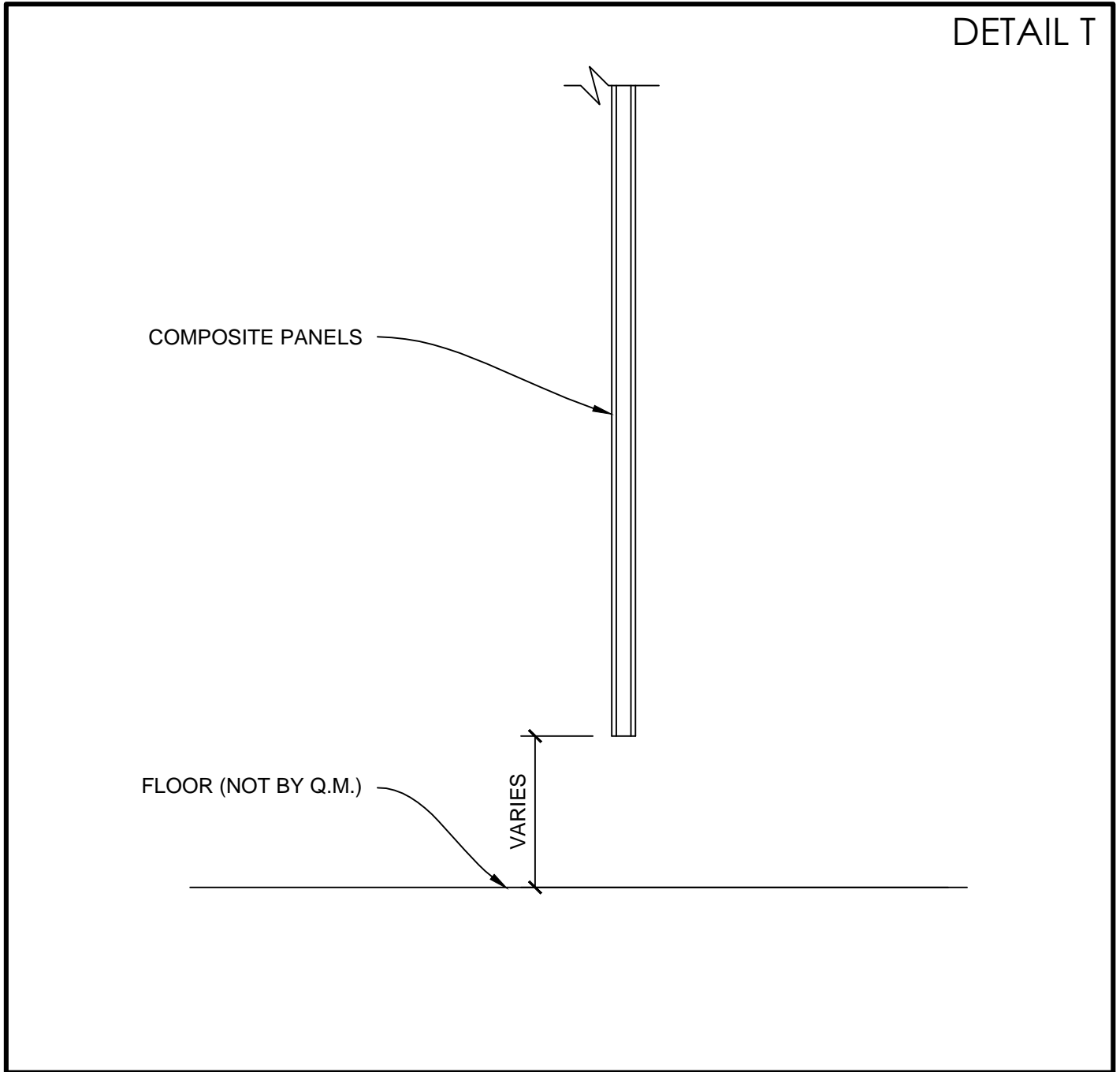


DETAIL S



AC-20C

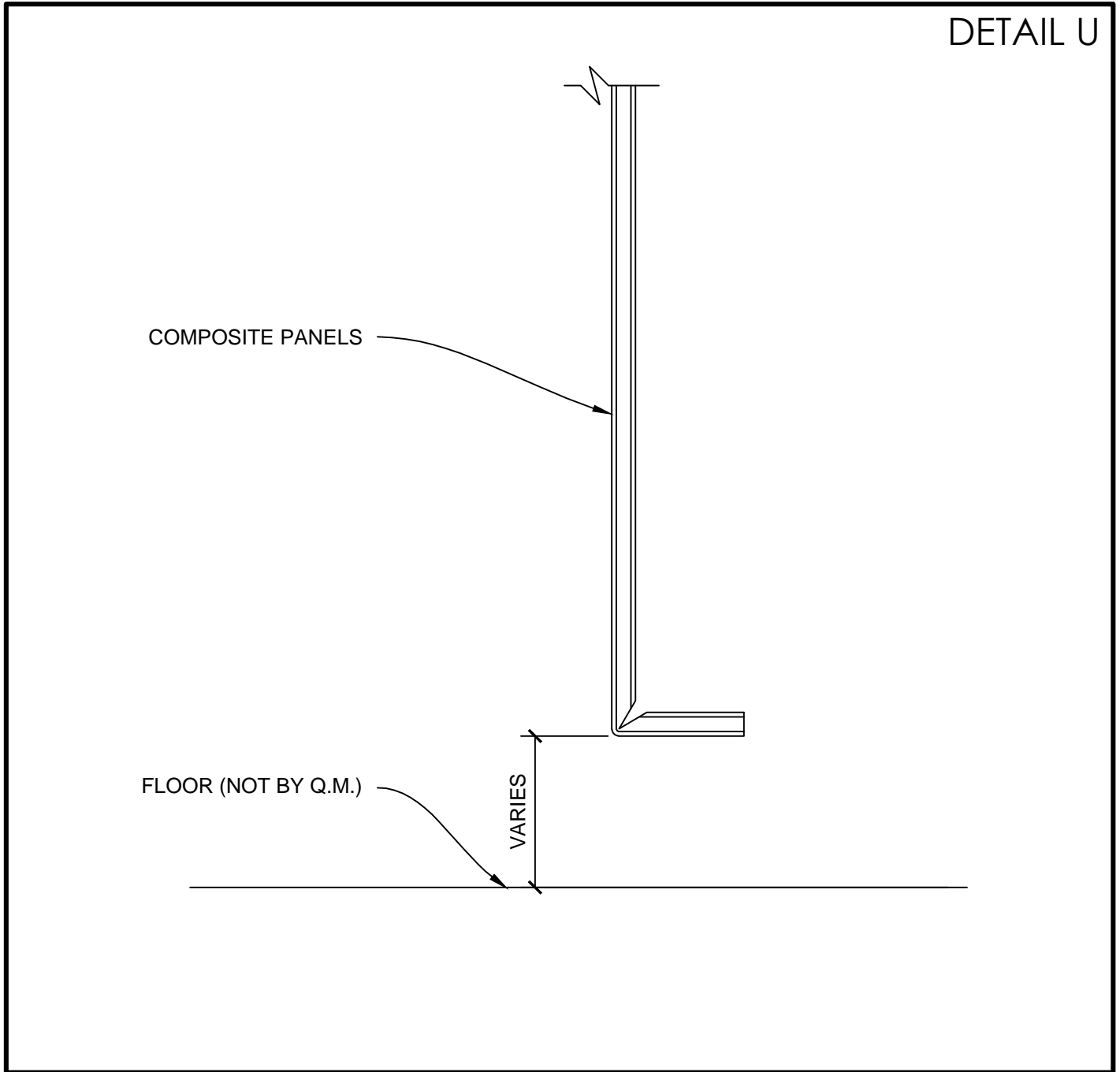
BASE DETAIL (1)





AC-20C

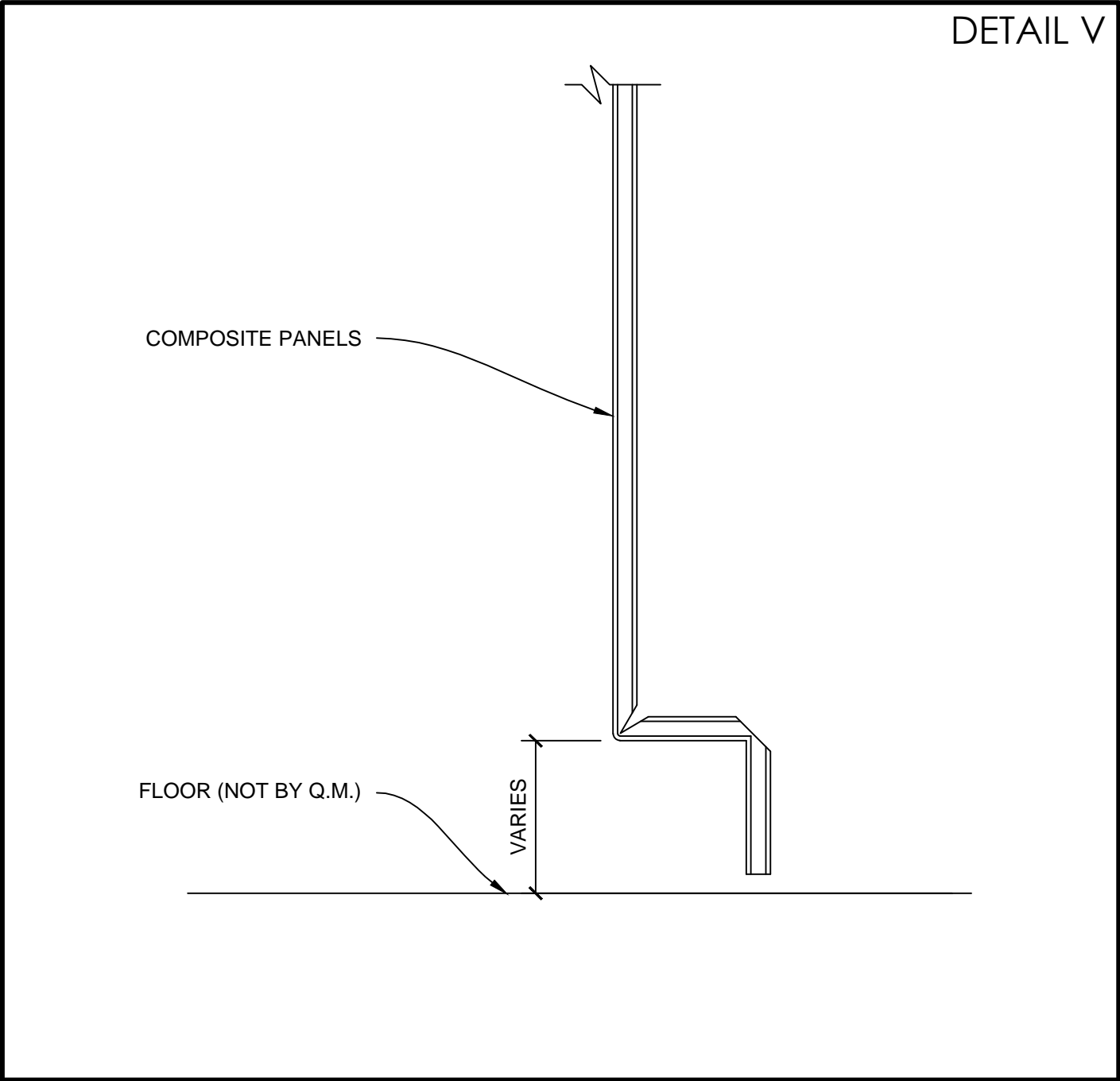
BASE DETAIL (2)





AC-20C

BASE DETAIL (3)



**COMPOSITE COLUMN COVER (HAIRLINE JOINT)  
INSTALLATION GUIDE**

